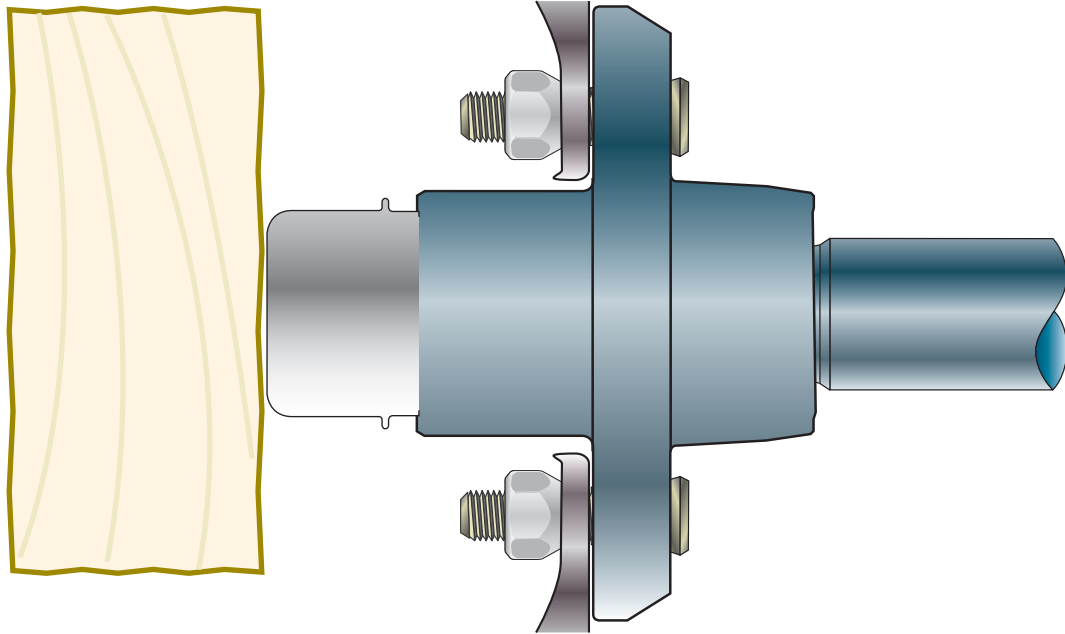




best in the
LongRun

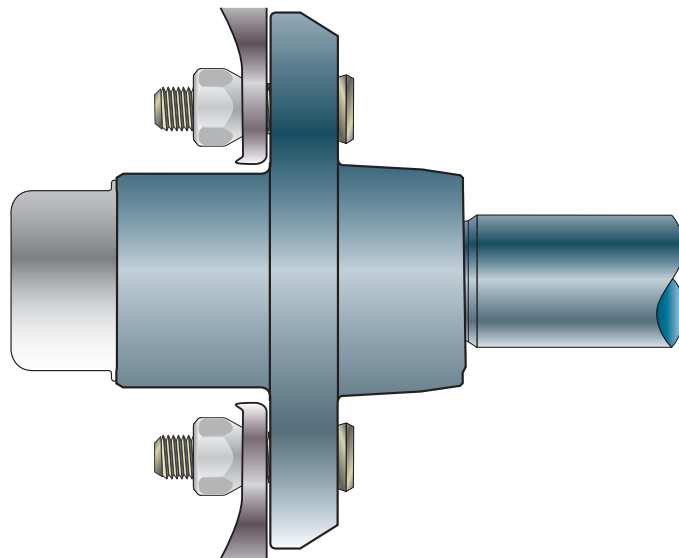
Dust Cap & Bearing Protector

Installation Instructions



Use a short piece of 2x4 lumber to avoid damaging the dust caps/bearing protector.

Place the wood flat against the cap/protector and tap the wood with a hammer to insert into the hub. Alternate blows to all sides to insure the unit seats squarely and fully into the hub. You will notice a different tone in the sound of the hammer blows when the cap/protector is fully seated.



Reference Sheet #C952

**TIE DOWN ENGINEERING • 255 Villanova Drive SW • Atlanta, GA 30336
www.tiedown.com (404) 344-0000 Fax (404) 349-0401**



C952:051116