



6400 SERIES TONGUE JACK

⚠ WARNING READ INSTRUCTIONS CAREFULLY BEFORE INSTALLING, OPERATING, OR SERVICING THIS JACK. FAILURE TO COMPLY WITH INSTRUCTIONS COULD RESULT IN SERIOUS INJURY. RETAIN THESE INSTRUCTIONS FOR FUTURE REFERENCE.

ASSEMBLY

Bolted Swivel Mount Assemble jack as shown in the parts drawing making sure that the protrusion in the center of the clover washer enters the center hole in the swivel plate. Printing on the swivel bracket washer should not be visible after assembly. Tighten nuts evenly.

Snap Ring Swivel Mount Assemble jack as shown in the parts drawing and install retaining ring with snap ring pliers. Make certain that snap ring is securely seated in groove.

MOUNTING

Bolt-on Place jack on trailer tongue in a location that avoids interference with the boat, trailer and tow vehicle during all conditions of use. Make sure the jack cannot contact the tow vehicle when making tight turns. Tighten all bolts evenly.

Weld-on Weld on jack brackets need to be installed by a competent welder. Determine location per instruction above. After bracket is painted, assemble jack according to the parts drawing and assembly instructions above. Note that bolts (QQ) are self-threading and require considerable installation force.

A-Frame Insert jack through hole in coupler and secure with bolts, lock washers, and nuts. A removable wheel or foot can be purchased separately. **⚠ CAUTION** When using the removable wheel with tongue weights over 250lb/114Kg, a No. 6612 support plate should be securely welded to the bottom of the trailer frame. Failure to do so could result in jack and coupler damage.

OPERATION

When jack reaches either end of its travel do not force handle or damage to the jack will result. When moving trailer by hand, crank jack to lowest position. Do not use the jack as a convenient hand hold. Avoid rolling jack over rough or soft surfaces. Raise jack completely before towing.

⚠ WARNING Use of a swivel type jack without the swivel handle completely engaged could result in the trailer tongue suddenly dropping and could cause personal injury.

⚠ CAUTION Loads in excess of rating shown on jack label will cause accelerated wear and possible failure. This jack is not for highway use. Never tow trailer with load applied to jack.

MAINTENANCE

Minimal maintenance is required to keep your tongue jack looking new and in good working order. Protect the finish by keeping it clean and waxed. Lubrication is needed if the jack cranks roughly or produces a grinding noise when operated. With weight off the jack remove jack from tongue. Remove end cap (MM). (See parts list on back page.) Remove pin (1) holding handle in place. Remove handle and miter gear (2). Turn jack upside down and shake gently to allow miter gear (3) to drop out. Align dowel pin (4) with hole in side of outer post assembly. Gently tap outer post assembly sideways allowing dowel pin to slip free from jackscrew and drop through hole in outer tube. Tap top of jackscrew to remove inner tube assembly. Do not attempt to remove screw from inner tube. Lubricate screw, thrust bearing (FF), and miter gears (2) and (3) with grease.

CE UK CA **EC Declaration of Conformity** – Dutton-Lainson Company, Hastings, NE 68902-0729 U.S.A. manufactures and declares that the winch identified above fulfills all relevant provisions of the Directive 2006/42/EC, and Supply of Machinery (Safety) Regulations 2008. The technical file may be obtained from the persons listed below.

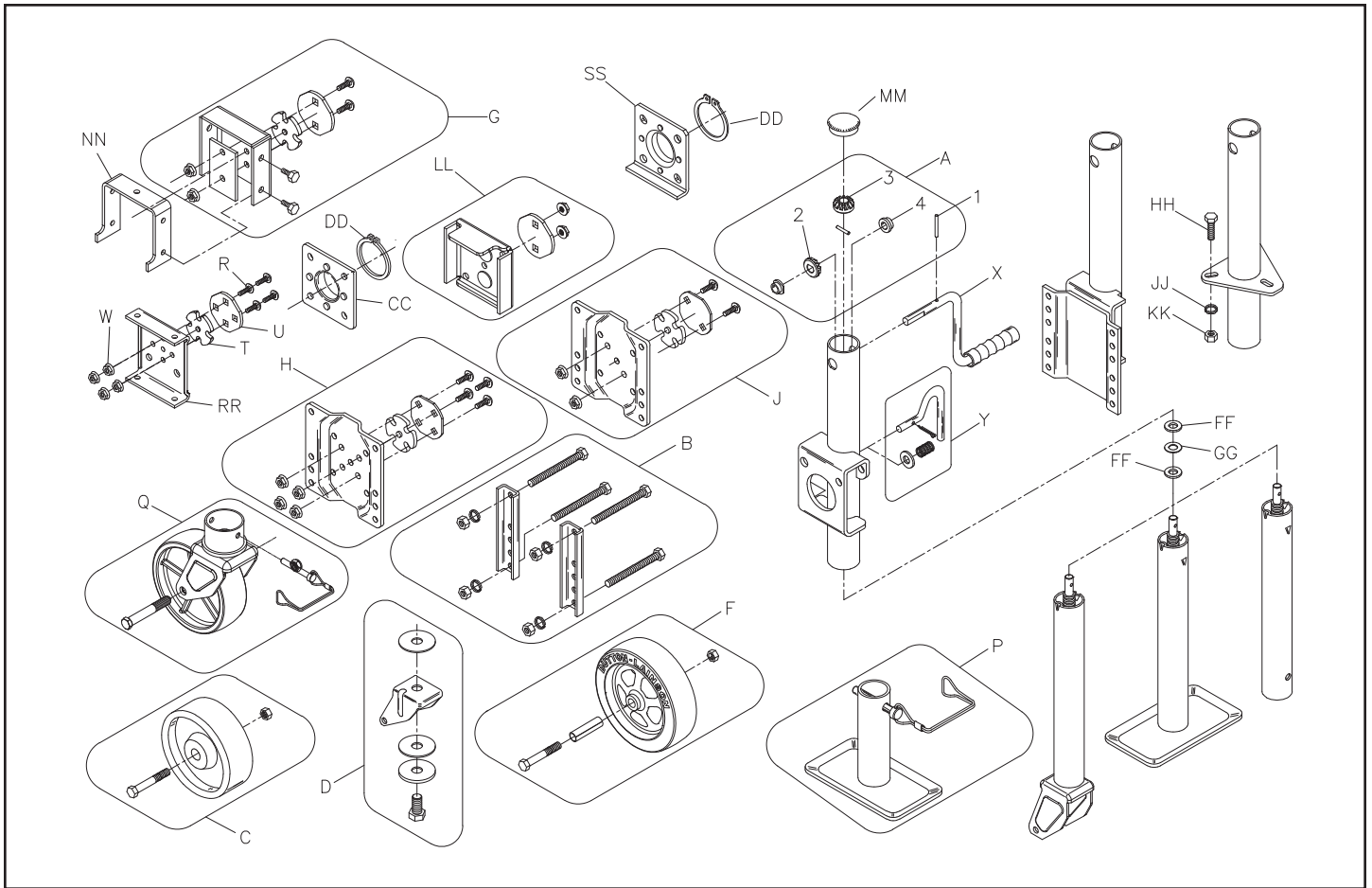
Hastings, NE USA
June 22, 2022
Jeff Dolbin
Director of Engineering
Dutton-Lainson Company

Jack Singleton
Eurowarehouse BV
De Amstel 11
8253PC Dronten
The Netherlands



A Dependable Company Since 1886
DUTTON-LAINSON COMPANY
Hastings, NE 68902 U.S.A. • Tel 402-462-4141 • Fax 402-460-4612
www.dutton-lainson.com • E-mail: dlsales@dutton-lainson.com

MADE IN
U.S.A.



6400 Series Tongue Jack Parts List

Ref.	Description	Part No.	Ref.	Description	Part No.
A	6812B Miter Gear Kit	5224373	CC	Weld-On Swivel Bracket, 3/8" Handle (6611)	403411
B	6804 Clamp & Bolt Kit	5224431	DD	Retaining Ring	5226725
C	6" Wheel Kit (6806)	5224407	FF	Hardened Flat Washer (2)	207357
C	6" Heavy Duty Wheel (6805)	5224118	GG	Plastic Thrust Washer	207356
D	6" Wheel Bracket Ass'y	5226360	HH	Hex Bolt 3/8"-16 X 1" (3)	205043
D	8" Wheel Bracket Ass'y	5226386	JJ	Lock Washer 3/8"-16 (3)	205042
F	8 Inch Wheel (6807)	5224100	KK	Hex Nut 3/8"-16 (3)	205050
G	Cover Bracket Kit	5222351	LL	Weld-On Swivel Bracket (6610)	5227533
H	6808 Swivel Plate Kit (4 Bolt) for 1/2" Handle	5224258	MM	End Cap	5223540
H	6808 Swivel Plate Kit (4 Bolt) for 3/8" Handle	5224449	NN	Weld on Strap	403580
J	6809 Swivel Plate Kit (2 Bolt) for 1/2" Handle	5224266	RR	6684 4-1/2" Channel Mount Plate	5221924
J	6809 Swivel Plate Kit (2 Bolt) for 3/8" Handle	5224829	RR	6685 5-1/2" Channel Mount Plate	5221932
P	Removable Foot & Clevis Pin (6606)	5225412	RR	6686 6-1/2" Channel Mount Plate	5221940
Q	Removable Caster Wheel (6604)	5224142	SS	Weld-On Swivel Bracket, 1/2" Handle (6616)	5226717
R	Carriage Bolt 3/8"-16 x 1" (4)	205389			
T	Clover Leaf Washer	403283			
U	Swivel Bracket Washer (4 Bolt)	403282			
W	Flanged Lock Nut 3/8" - 16 (4)	205285			
X	Jack Handle Assy w/pin (6810A)	5224464			
Y	Swivel Handle 3/8" Dia. Kit	5224498			
Y	Swivel Handle 1/2" Dia. Kit	5224548			

To order these accessories or replacement parts contact your D-L dealer or

Pour commander ces accessoires ou des pièces de rechange, se mettre en contact avec le concessionnaire D-L ou

Para pedir estos accesorios o repuestos, comuníquese con el concesionario de D-L o con

Dutton-Lainson Company
 www.dlco.com
 Tel: 800-569-6577
 Fax: 402-460-4612
 e-mail: DLsales@dutton-lainson.com