

**Instructions for****Seat Bases,  
Model-90 or Model 75056 Detachable Pedestal Plate,  
and Model 75004 Swivel Stanchion Foot Rest****SEAT BASE INSTRUCTIONS**

Refer to Fig. 1

1. Attach swivel casting (A) to seat bottom.

FOR EEZ-IN SEATS WITH PREDRILLED, T-NUTTED HOLES:

Align holes in both swivel casting and seat bottom.

Secure in position with four 1/4-20x1" machine screws.

FOR SEATS WITHOUT T-NUTTED HOLES:

Center swivel casting on seat bottom. Mark and drill the four holes for the swivel on the seat. Use an expansion type fastener (i.e. expansion screw anchor, etc.) best suited for boat seat's construction to secure swivel casting to seat.

**NOTE:** Fasteners NOT Provided.

2. Grease the inside of the swivel casting.
3. Screw in locking knob (B).
4. Secure seat base (C) to boat deck. This deck area should be adequately reinforced. Use a backing plate if necessary to make a secure attachment. It is recommended that the fasteners used go through both deck and backing plate for best results (see illustration). Six holes are drilled in the base for attachment but fasteners are NOT provided for this application as the type needed may vary. (NOTE: If mounting a seat base with a detachable pedestal plate, follow the Model-90 mounting instructions below before proceeding.)
5. Place seat with swivel casting on stanchion tube (D) and secure in position with locking knob (B).
6. Polish aluminum to extend longevity.

**99300 INSTALLATION INSTRUCTIONS**

Refer to Fig. 2

1. Loosen locking knob and remove seat from pedestal.
2. Slip lock ring 06.483 over pedestal and slide down tube approximately 4". Insert 8-32 x 1" screw and secure lightly with 8-32 locknut.
3. Slip seat onto the pedestal. Place lock 06.484 over lock ring and slide assembly up so that the lock slides into the rectangular opening in the casting directly below the locking knob. Secure with 10-24 x 1-3/4" screw and 10-24 locknut.
4. Tighten 8-32 screw and locknut to secure lock ring.

**To remove seat reverse steps 3 and 4.**

(OVER)

FIG. 1

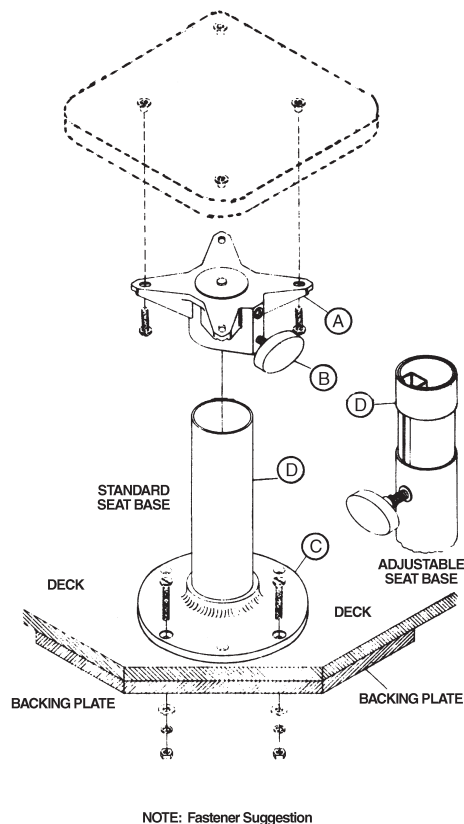
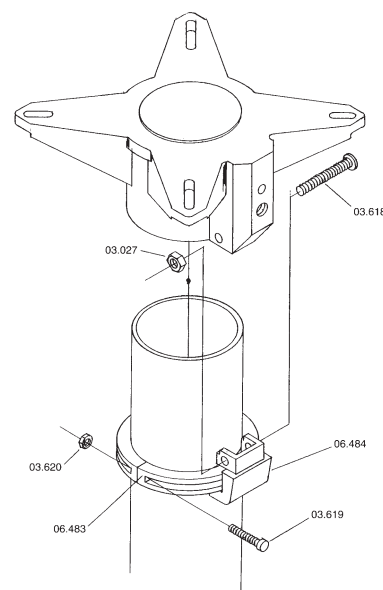


FIG. 2



# Assembly Instructions – Seat Bases, Model-90 or Model 75056 Detachable Pedestal Plate, and Model 75004 Swivel Stanchion Foot Rest

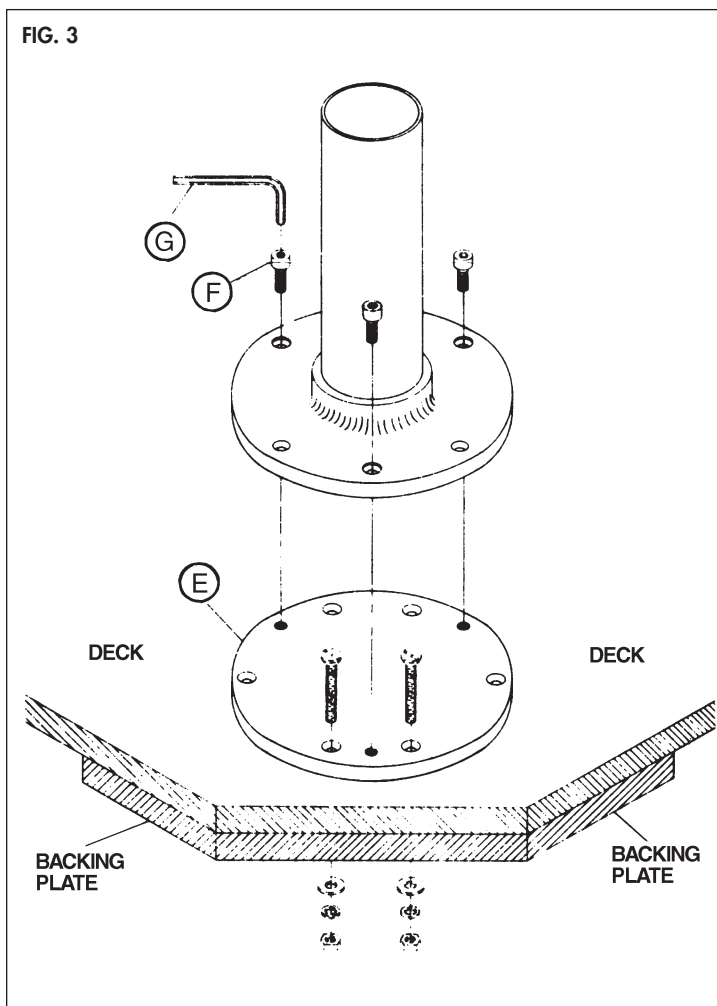
## MODEL-90 DETACHABLE PEDESTAL PLATE INSTRUCTIONS

Refer to Fig. 3

1. Secure detachable plate (E) to boat deck. This deck area should be adequately reinforced. Use a backing plate if necessary to make a secure attachment. It is recommended that the flat-headed fasteners used go through both deck and backing plate for best results (see illustration). Six holes are drilled in the plate for attachment but fasteners are NOT provided for this application as the type needed may vary.
2. Place seat base on plate and align the three pre-threaded holes in the plate with the three large diameter holes in the seat base.

**NOTE:** It may be necessary to drill these three aligning holes in the seat base with a 13/32" or larger drill bit.

3. Insert the three allen bolts (F, provided) into the holes and secure in position with the allen wrench (G, provided).



## MODEL 75004 SWIVEL STANCHION FOOT REST INSTRUCTIONS

Refer to Fig. 4

1. Clean foot rest surface (H), peel backing off no slip pad (I) and adhere it to foot rest as indicated.
2. Screw locking knob (J) into collar (K) and slide it over stanchion tube. Lock collar at foot rest's desired height.
3. Screw locking knob (J) into foot rest (H) and slide it over stanchion tube. Lock foot rest at its desired position.

