

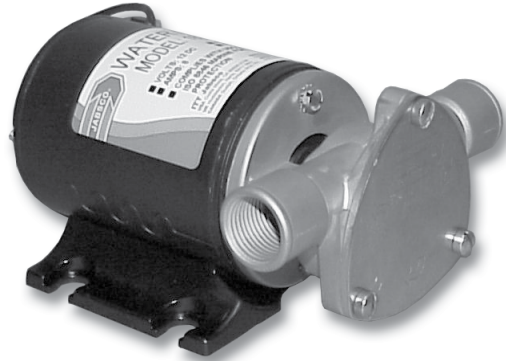


## Flexible Impeller Pump Model 18660-0123

### SELF-PRIMING PUMP

#### FEATURES

<b>Motor:</b>	Permanent magnet type, fully enclosed, stainless steel shaft.
<b>Voltage:</b>	12 VDC
<b>AMP Draw:</b>	8
<b>Fuze Size:</b>	15
<b>Dimensions:</b>	3" (76mm) high, 6-3/8" (162mm) long, 4-3/4" (120mm) wide
<b>Weight:</b>	4-1/2 lb (2 kg) (approx.)
<b>Body:</b>	Bronze
<b>Impeller:</b>	Jabsco Nitrile compound
<b>Seal:</b>	Lip type
<b>Ports:</b>	1/2" Internal Pipe Threads 1" External Hose Barb Adapter for 3/4" External Garden Hose Thread included
<b>Compliance:</b>	Motor meets USCG Electrical Standards 183.410 and ISO 8846 MARINE for IGNITION PROTECTION on gasoline powered vessels.



Model 18660-0123

#### APPLICATION NOTES

Use for bilge pumping, livewell circulation, washdown and general pumping requirements.

Pump has a dry prime suction lift of about 4 feet (1.2m) and a lift to 20 feet (6m) when primed. BE SURE SUCTION LINES ARE AIRTIGHT.

Flexible impeller pumps must NOT be run dry, as the pumped liquid is the lubricant for the impeller. Observe the outlet and shut off pump as soon as liquid stops flowing. An automatic level switch is convenient to control the pump.

The pump cannot run against a closed outlet such as encountered when using a garden hose type shut-off nozzle.

Pressure for normal operation should not exceed 20 feet of head (8.7 psi).

Temperature of pumped liquid may be in the range of 45° - 180°F (7° - 82°C).

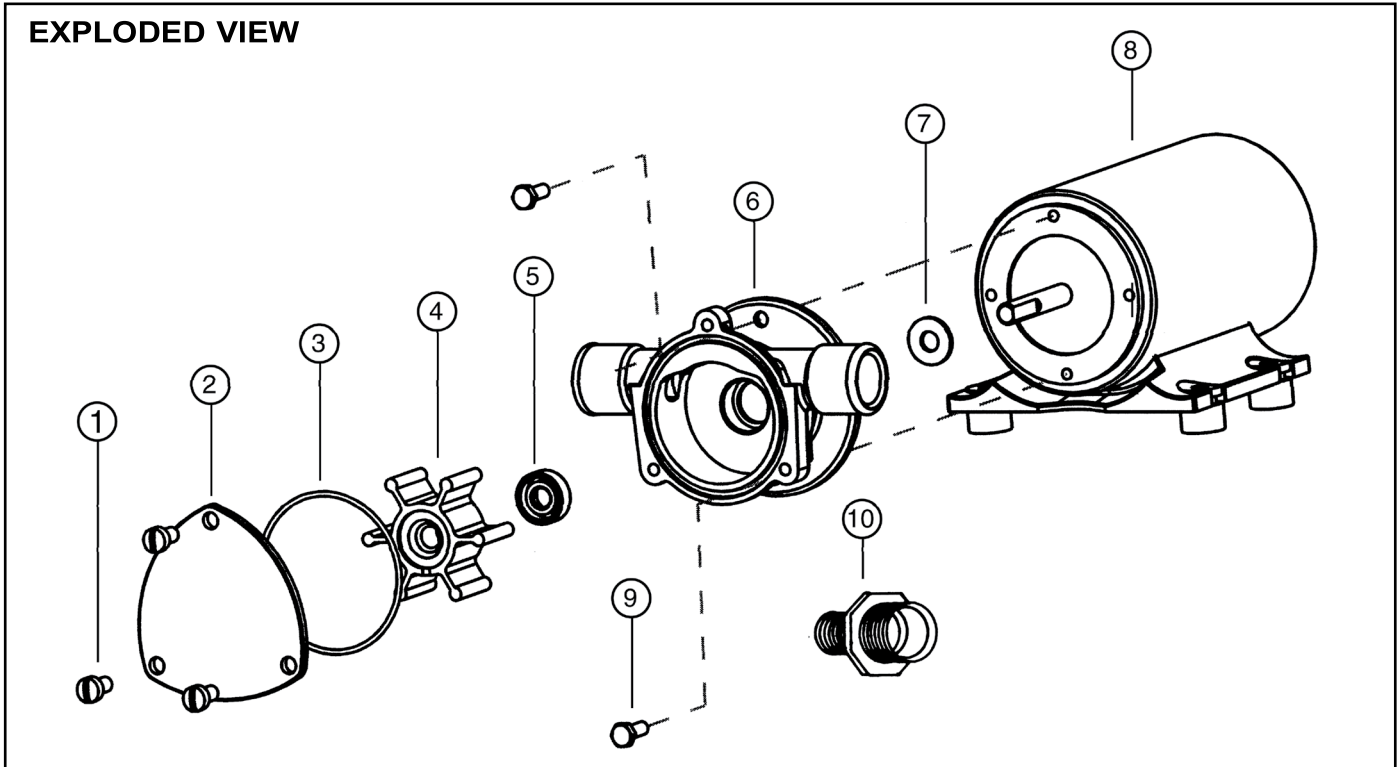
## PERFORMANCE

### HEAD-FLOW CHART

P.S.I.	Total Head		Capacity	
	Feet	Metres	GPM	LPM
2.1	5	1.5	6.3	23.8
4.3	10	3.0	5.4	20.4
6.5	15	4.6	4.2	15.9
8.7	20	6.1	2.8	10.6

Table shows approximate Head-Flow for new pump.

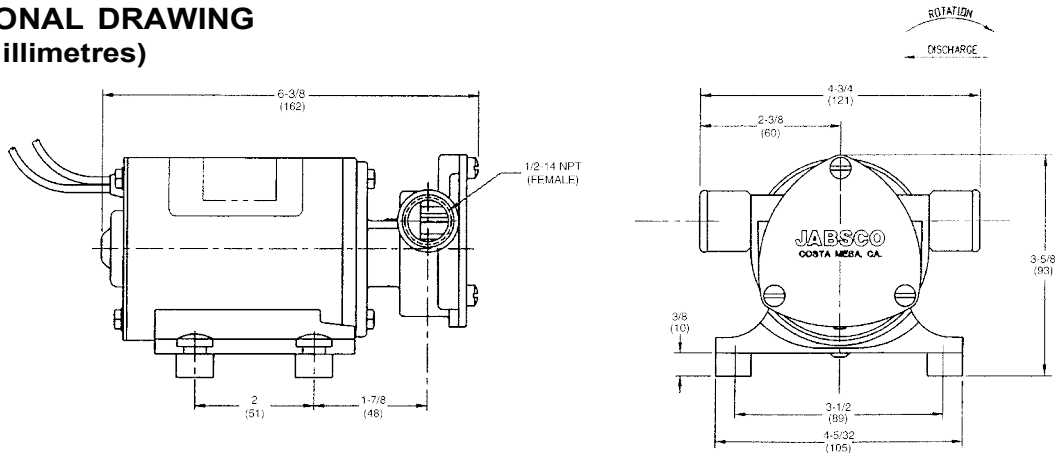
### EXPLODED VIEW



Key	Description	Qty. Req.	Part Number
1	Screw Kit (4/kit)	1	91004-0090
2	End Cover	1	18647-0000
3	O-Ring*	1	18753-0660
4	Impeller*	1	6303-0003
5	Seal*	1	18753-0384
6	Body†	1	18645-0000
7	Slinger	1	6342-0000
8	Motor 12V	1	98012-0020
9	Screw (Pump to motor) (3/kit)	1	98019-0020
12	Port Adapter Kit (2/kit) Service Kit	1	18753-0103 90061-0006

† When replacing a pump body that uses a round end cover (3 hole pattern) it is necessary to replace the end cover, screws and replace the gasket with an O-Ring (order keys # 1, 2 & 3).

## DIMENSIONAL DRAWING Inches (Millimetres)



<b>Tariff Code:</b>	8413.60.0090
<b>UPC Code:</b>	671880532594
<b>Country:</b>	Mexico
<b>Carton Dimensions:</b>	9.13x5.25x4" (232x133x102mm)

### Installation and Operation

For guidance on proper installation and operation of this pump, as well as for any warnings or cautions involving use, please consult the appropriate IOM for the pump. Printed IOM's are supplied with the pumps and are also available online.

### Resources & Contact Information

<b>IOM:</b>	On website; hard copies with pumps
<b>Warranty:</b>	Information included in IOM
<b>Customer Service:</b>	Refer to contact info at our website
<b>Website:</b>	<a href="http://www.xylem.com/Jabsco">www.xylem.com/Jabsco</a>

**Note:** Specifications provided for guidance only. We reserve the right to change specifications without prior notice.