

This document provides technical information relating to this specific Jabsco model. General information, references and further resource locations are also included.

Jabsco pumps are designed to be durable and high-performing - capable of providing years of satisfactory service in a variety of marine applications.

## Features:

- Heavy Duty, Coated Motor
- Integrated Sealed Pressure Switch
- Efficient, quiet operation
- Self-priming
- Runs Dry without Damage

## Contents:

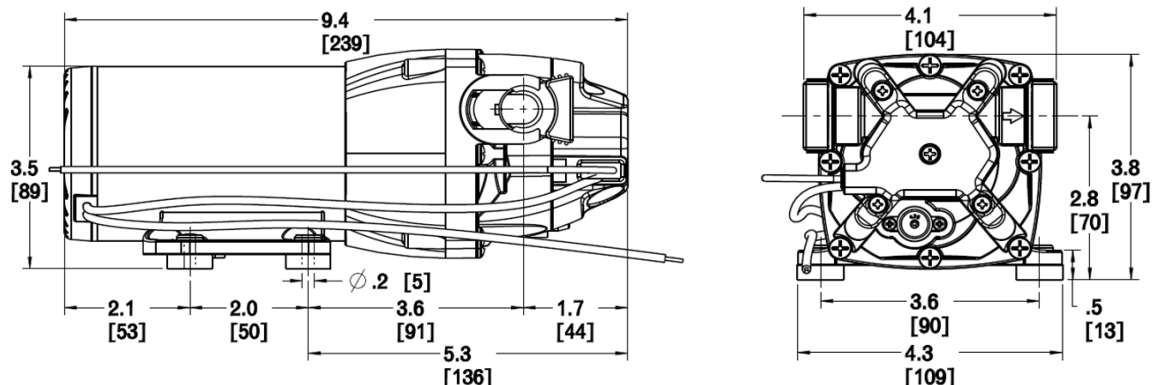
<b>Pump Unit:</b>	PARMAX HD4 12V 4GPM 40PSI (PARMAX HD4 12V 15LP 2.8BAR)
<b>Port Fittings:</b>	2 x 1/2" (13mm) Straight Hosebarb
<b>Strainer:</b>	Inline Quick Connect; 40 mesh
<b>Trigger Nozzle:</b>	Not applicable
<b>Adapter 1:</b>	Not applicable
<b>Adapter 2:</b>	Not applicable
<b>Hosecoil:</b>	Not applicable
<b>IOM:</b>	Included (PN 81000475)
<b>Carton type:</b>	4 Color Aftermarket
<b>Master pack qty:</b>	4



## Dimensional Drawing

Notes: Inches [mm]

Additional envelope space required to allow port clips to extend, wires to bend, port fittings and hoses, etc.



## Specifications:

### General

Part Number:	Q401J-115S-3A
Aftermarket replacement:	Q401J-115S-3A
Replaces (closest matches):	31600-0092 31620-0092 82400-0092
Application:	Marin Water Pressure System
Design:	4 Chamber Diaphragm Quick Connect Ports TENV Permanent Magnet Motor Noise Dampening Baseplate Thermal Motor Protection (TCO)

### Materials (\*designates wetted path)

Upper Housing*:	Glass-filled Polypropylene
Lower Housing:	Cast Aluminum
Check Valve Retainer*:	Polypropylene
Diaphragm*:	Santoprene
Check Valves*:	EPDM
Switch Diaphragm*:	EPDM
Bypass Diaphragm*:	EPDM
PH Seals*:	EPDM
PH Fasteners:	Stainless Steel
Baseplate:	Nylon with Rubber Feet
Motor Casing:	Cast Aluminum; Coated Steel

### Hydraulic Performance (at 12.0 VDC)

Open Flowrate:	4 GPM open flow (15.1 LPM)
Pressure Switch Cut-Off:	40 PSI (2.8 BAR)
Max Operating Pressure:	40 PSI (2.8 BAR)
Max Inlet Pressure:	30 PSI (2.1 BAR)
Internal Bypass:	Yes
Fluid Temperature Range:	32°F - 140°F (0°C - 60°C)
Self-Priming Capability:	Up to 8 ft (2.4 m) dry prime
Run-Dry Capable:	Yes

### Electrical Performance (at nominal voltage)

Nominal Voltage:	12 VDC
Voltage Range:	9 VDC - 13.6 VDC
Max Current Draw:	10 Amps @ 40 PSI (2.8 BAR)
Fuse Size:	15 Amps (not included)
Duty Cycle:	Intermittent (See heat-rise chart)
Leads:	12" (305mm), 14 AWG (2.5mm <sup>2</sup> )
Wire Connection:	Stripped Wire

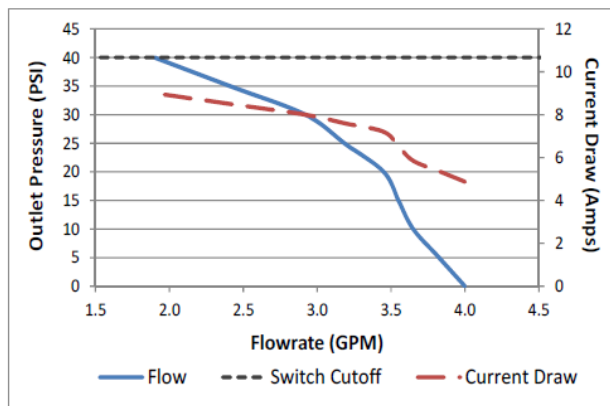
### Compliance

CE:	Yes
RCM:	Yes
ISO 8846 Ignition Protected:	Yes
Country of Origin:	China
HTS Code:	8413.50.0050

### Other Information

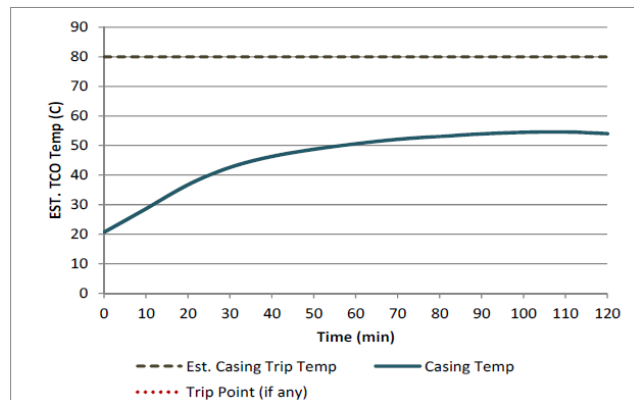
Operating Environment:	Marine
Ambient Temp Range:	32°F - 140°F (0°C - 60°C)
IP Rating:	IPX6
Carton Dimensions:	15.5x6x5.5" (394x152x140mm)
Weight:	5.6 (2.5 kg)
UPC Code:	671880841863

### Flowcurve -



Representative curve of unit operated at nominal voltage  
Performance will vary somewhat unit to unit  
Switch cut-off represents the point on the flowcurve at which the integrated pressure switch will turn off the pump

### Heat-Rise -

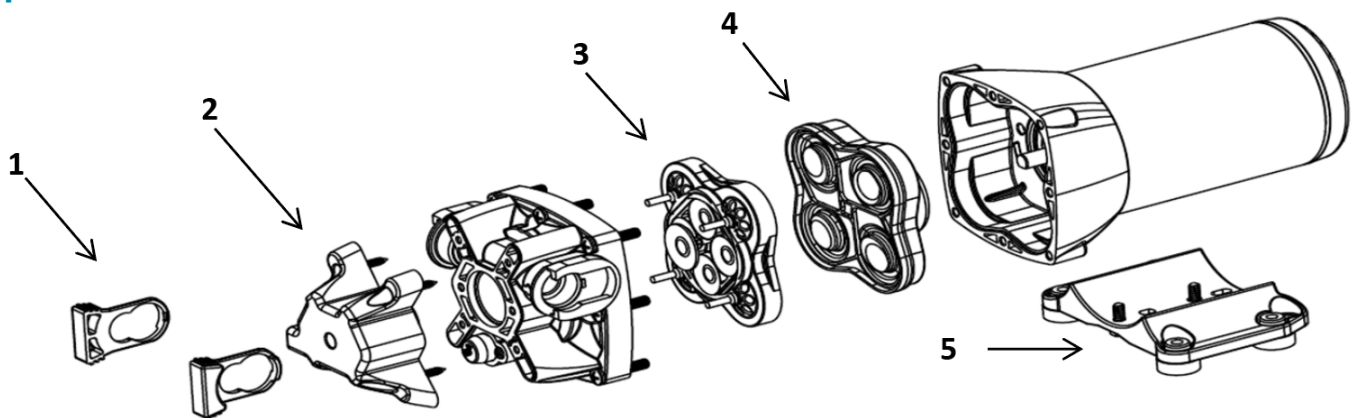


Tested @ ambient temp of 70F (21.1C) @ max run pressure  
Trip point shown is casing temp at time of TCO trip  
If there is concern about the ability of the pump to run continuously for long periods of time then in-application testing is highly recommended.

## Pump Service Kits & Spares:

ITEM	PART NUMBER	CONTENTS
1. Port Clips	30647-1000	2 port clips per kit
2. Switch Kit	16470-0040	Switch assembly w/ wire leads, switch diaphragm, and heat shrink butt connectors
3. Check Valve Assembly	18753-0731	Check valve housing with suction and discharge check valves installed
4. Diaphragm/Drive Assembly	18753-0730	Wobble plate/diaphragm assembly
5. Baseplate/Mounting Feet	18753-0729	Baseplate w/ rubber mounting feet installed

## Exploded View:



## Accessories (see website for further info):

Item	Kit PN	Description	Notes
Washdown Trigger Nozzles	30703-1000-6	Regular (6-Pack)	Quick release interface, includes female hose end adapters
	30703-1001-6	Deluxe (6-Pack)	Quick release interface, includes female hose end adapters
Washdown Hose Coils	31910-1225	Regular	25' x .35" ID (6.2m x 9mm) Hosecoil
	31910-1226	Deluxe (Heavy duty/larger ID)	25' x 1/2" ID (6.2m x 13mm) Hosecoil
Freshwater Delivery System Accumulator Tanks	30573-0003	0.65 Liter tank, reinforced plastic	Used to smooth out flow, reduce cycling for freshwater water pressure systems. See website for more details. Do not use with variable speed.
	30573-0000	1 Liter tank, reinforced plastic	
	18810-0000	2 Gal tank, coated steel	
Strainers (Required in all applications)	46400-0030	In-line, Bayonet style, QC	QC = Quick Connect Place before inlet of the pump so as to filter the incoming water and protect the check valves and pressure switch from getting clogged. Other options available as well. See website for more detail.
	46400-9500	90 degree 3-5 GPM QC	
	46400-0711	90 degree 6 GPM QC	
	46400-0003	In-line, 3/8" Hosebarb	
	46400-0002	In-line, 1/2" Hosebarb	
	46400-0000	In line, 3/4" Hosebarb	
Port Fittings	1877K-2222S	2-5 GPM Models: 1/2" Hosebarb	Part numbers listed are straight port configuration Quantity 2 per except GHT GHT = Garden Hose Thread (qty 1) Threaded = NPS Threads For 90 degree Elbow models replace the S with an E Not all models have 90 degree equivalents
	1877K-2242S	2-5 GPM Models: 1/2" Threaded	
	1877K-3222S	2-5 GPM Models: 3/4" Hosebarb	
	1877K-3211S	2-5 GPM Models: 3/4" GHT	
	1877K-2342S	6 GPM Models: 1/2" Threaded	
	1877K-3322S	6 GPM Models: 3/4" Hosebarb	
	1877K-3311S	6 GPM Models: 3/4" GHT	
Washdown Deck Fitting	31911-0000	Stainless Steel Deck Fitting	Quick release mount for washdown hose on deck
Aquafilta (water pressure systems)	59000-1000	Freshwater filtration system	EU only

---

## Marine Application Notes:

### **Washdown -**

Used for on-demand spray to clean anchors, buoys, fishing areas, etc. Typically, the higher the flow and the higher the pressure the better. Sometimes used with a Y valve to serve a dual purpose of livewell circulation. Common accessories include strainers, trigger nozzles, hoses, and deck mount fittings. Sometimes plumbed off of the livewell inlet to reduce number of thru-hull fittings.

### **Freshwater Delivery Pumps -**

Installed to provide on-demand flow and pressure of freshwater to galleys, showers, washing machines, etc. Typical rule of thumb for sizing is 1 GPM per outlet. 40-60 psi (2.8 - 4.1 Bar) options provide similar pressure to that in a home on land. These pumps are equipped with a bypass which enables smoother flow and decreases cycling. Common accessories include strainers, water pressure inlet regulators, and accumulator tanks.

### **Shower-Drain/Livewell/General Purpose -**

These pumps are configured without a pressure switch and are used for a variety of different purposes including removal of drain water from showers or the circulating/transfer of water in bait tanks.

### **Auxiliary Bilge/General Purpose -**

Configured without a pressure switch and with elastomers specifically chosen to provide greater chemical compatibility and protection against fluids such as diesel fuel and motor oils.

## Available Jabsco Options

In addition to the unit described in this datasheet Jabsco also offers the following configurations (will vary somewhat by region and model type) and options to suit above applications:

<b>Voltages:</b>	12 & 24 VDC options
<b>Flowrate Range:</b>	1 - 6 GPM (3.8 - 22.7 LPM)
<b>Switch Setting Range:</b>	25 - 70 PSI (1.7 - 4.8 Bar)
<b>Pump Configurations:</b>	Washdown (“kit” versions include a hose-coil) Freshwater Delivery Pumps Shower-Drain/Livewell/Bilge/General Purpose Pumps
<b>OEM/Special Options:</b>	We can configure specific product or kitting levels upon request. Minimum annual volume requirements will apply. Please send us an inquiry and we will evaluate.

## Installation and Operation

For guidance on proper installation and operation of this pump, as well as for any warnings or cautions involving use, please consult the appropriate IOM for the pump. Printed IOM's are supplied with the pumps and are also available online.

## Resources & Contact Information

<b>IOM:</b>	On website; hard copies with pumps	<b>Customer Service:</b>	Refer to contact info at our website
<b>Warranty:</b>	Information included in IOM	<b>Website:</b>	<a href="http://www.xylem.com/Jabsco">www.xylem.com/Jabsco</a>

**Note:** Specifications provided for guidance only. We reserve the right to change specifications without prior notice.



**Xylem Inc. — USA**  
17942 Cowan  
Irvine, CA 92614

**Xylem Inc. — UK**  
Harlow Innovation Park,  
London Road,  
Harlow, Essex, CM17 9LX

**Xylem Inc. — CHINA**  
30/F Tower A, 100 Zunyi Road,  
Shanghai 200051

**Xylem Inc. — HUNGARY KFT**  
2700 Cegléd  
Külso-Kátai út 41

[www.xylem.com/jabsco](http://www.xylem.com/jabsco)

© 2023 Xylem Inc. All rights reserved  
Jabsco is a trademark of Xylem Inc. or one of its  
subsidiaries

Q401J-115S-3A Rev. A 07/2023