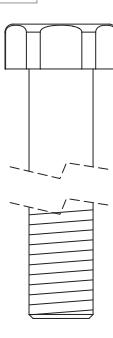
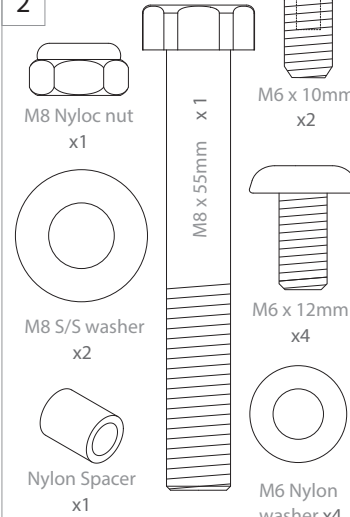
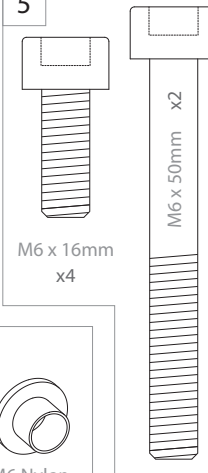
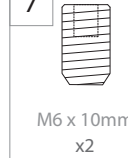
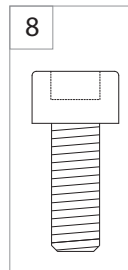

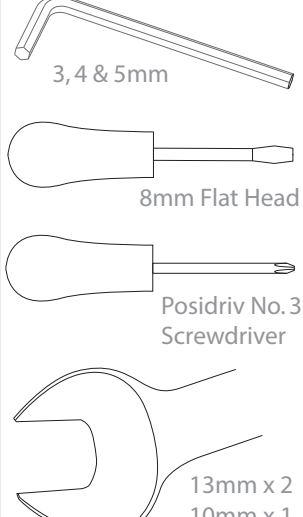


# Scanstrut Backstay Self-Levelling Mount Installation Instructions

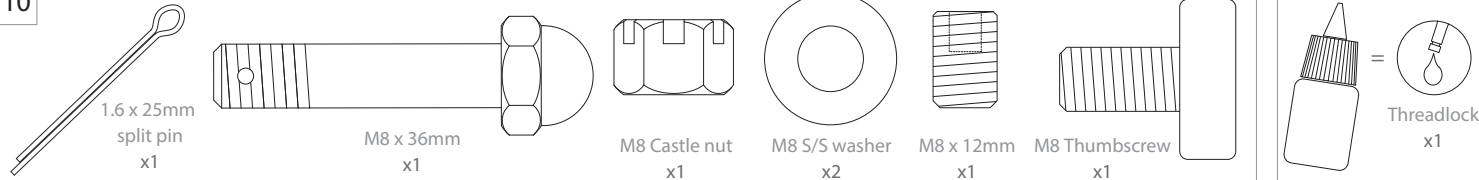
LMB-F1 / LMB-F2

Issue 7

## Tools Required

<p><b>1</b></p>  <p>M8 x (?)mm x2 (Not Supplied)</p>	<p><b>2</b></p>  <p>M8 Nyloc nut x1</p> <p>M8 S/S washer x2</p> <p>Nylon Spacer x1</p> <p>M6 x 10mm x2</p> <p>M6 x 12mm x4</p> <p>M6 Nylon washer x4</p> <p>M6 Nylon shoulder x2</p>	<p><b>5</b></p>  <p>M6 x 16mm x4</p> <p>M6 x 50mm x2</p>	<p><b>7</b></p>  <p>M6 x 10mm x2</p>	<p><b>8</b></p>  <p>M6 x 16mm x8</p>	<p><b>9</b></p>  <p>M6 x 20mm x4</p> <p>60065 6mm S/S Washer x4</p> <p>60066 M6 Spring Washer S/S x4</p> <p>60060 - M6 S/S Nyloc Nut x4</p>	 <p>3, 4 &amp; 5mm</p> <p>8mm Flat Head</p> <p>Posidriv No.3 Screwdriver</p> <p>13mm x 2 10mm x 1</p>
--	---	---	---	---	---	--

**10**



1.6 x 25mm  
split pin  
x1

M8 x 36mm  
x1

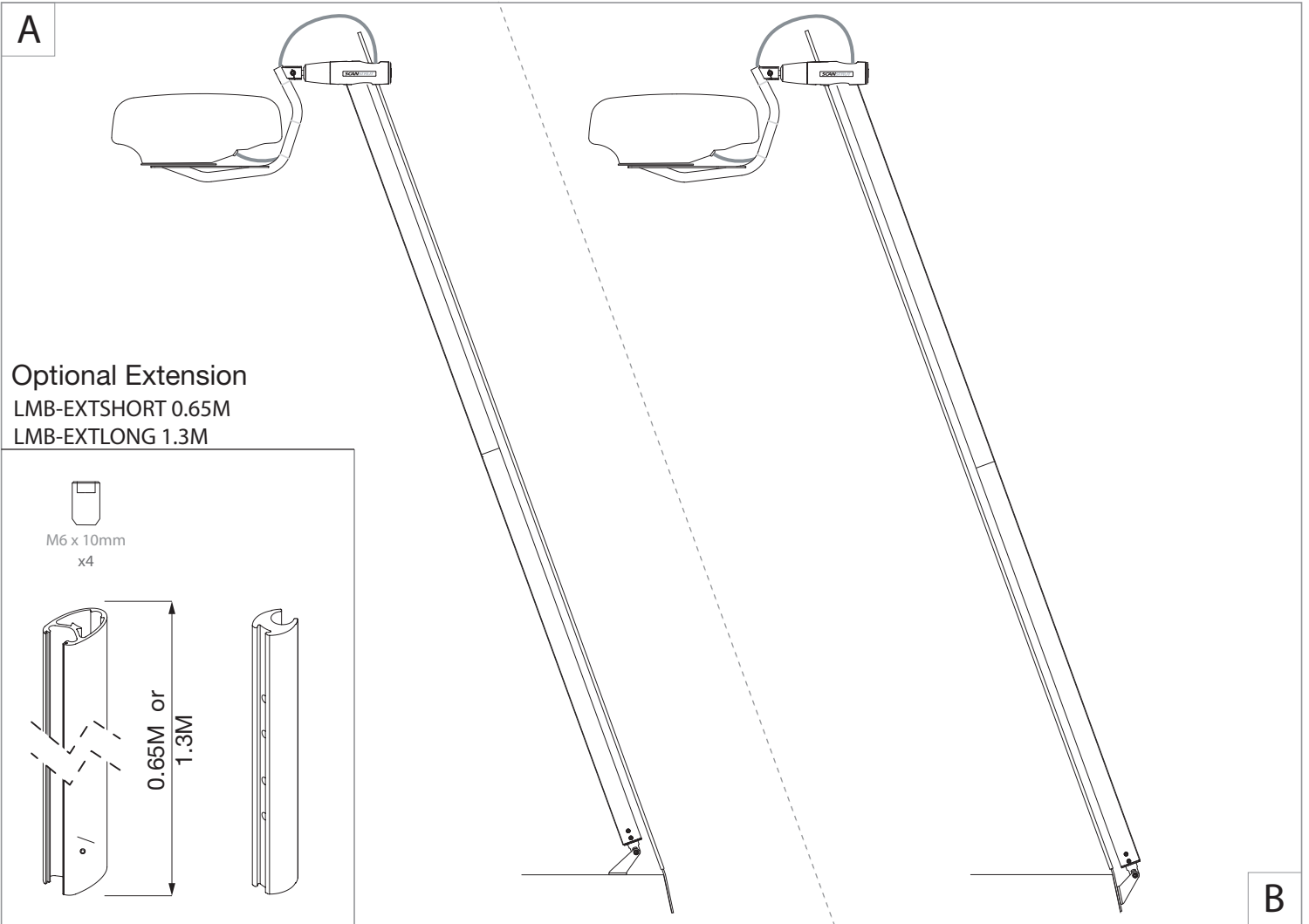
M8 Castle nut  
x1

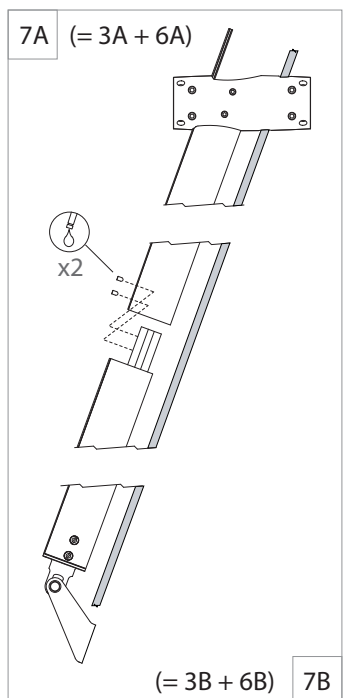
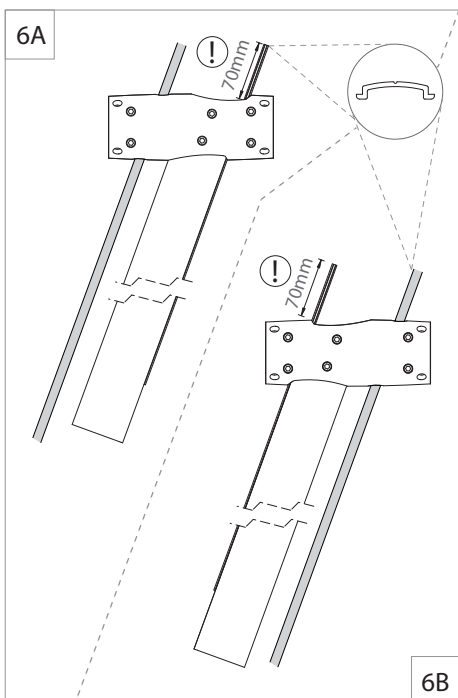
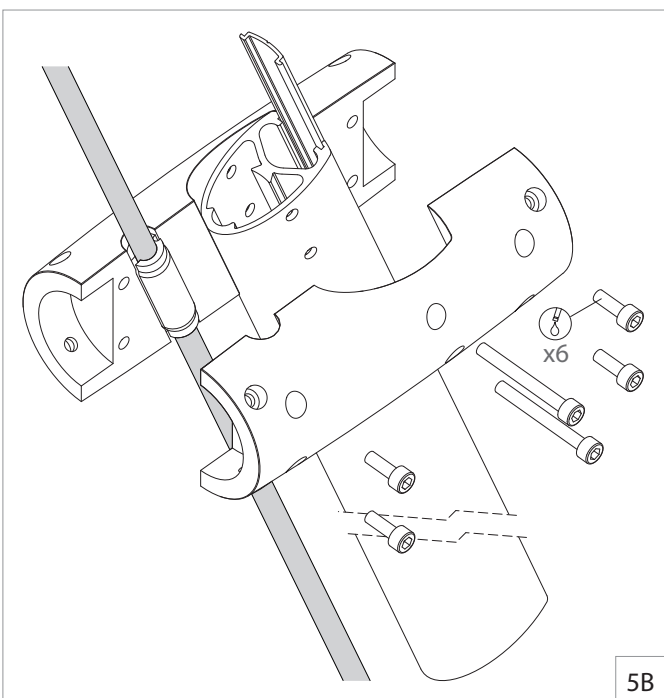
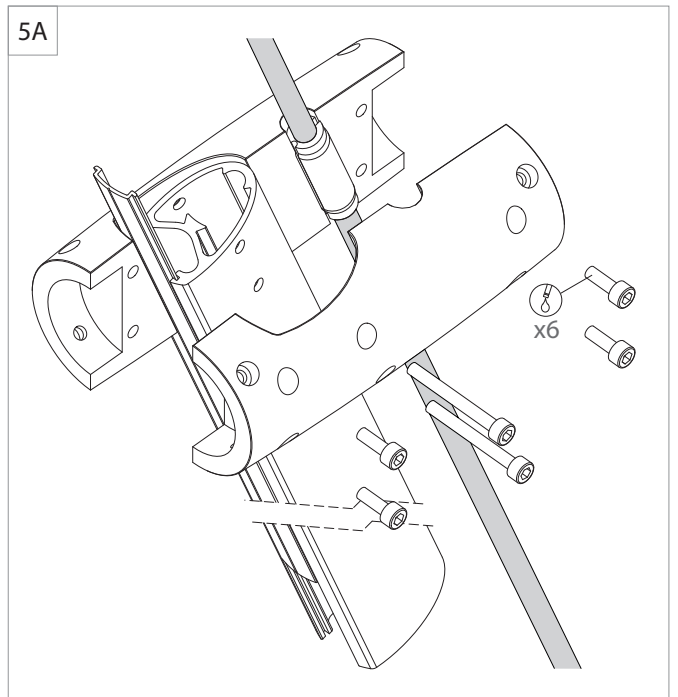
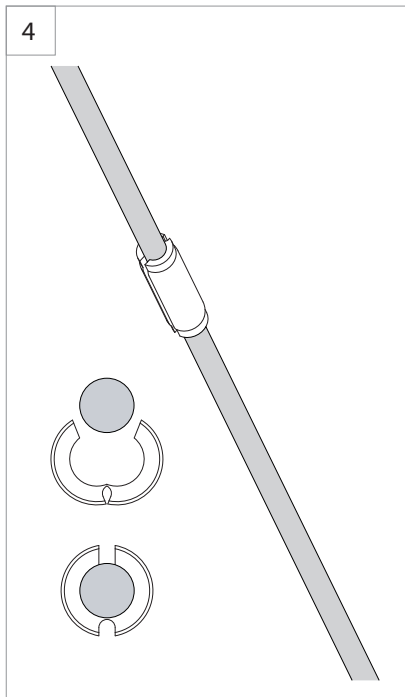
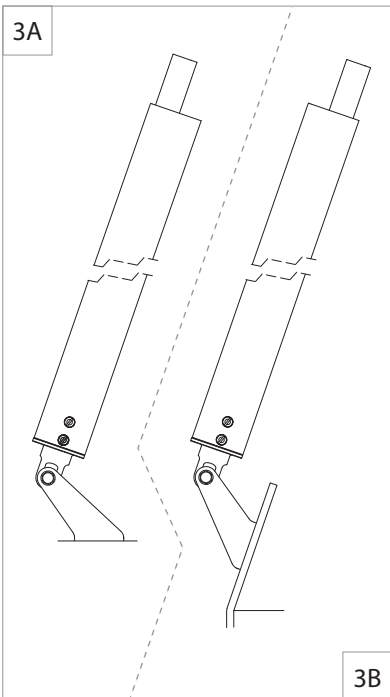
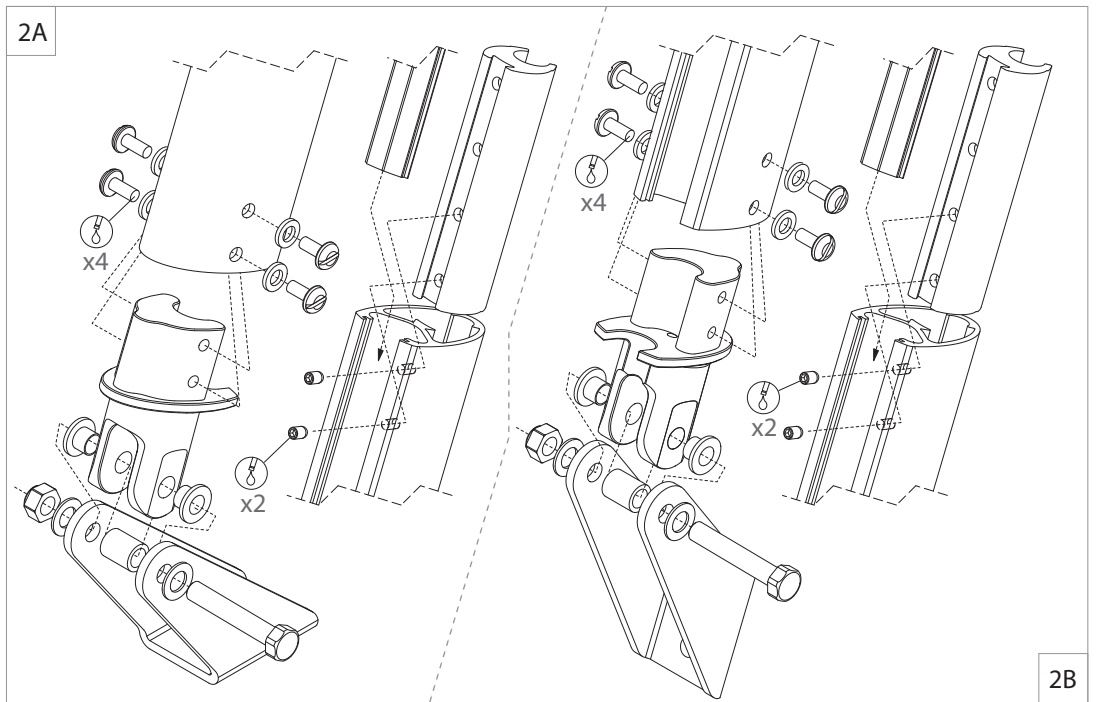
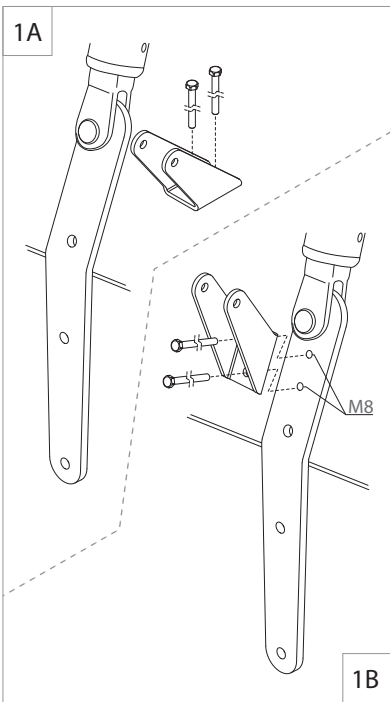
M8 S/S washer  
x2

M8 x 12mm  
x1

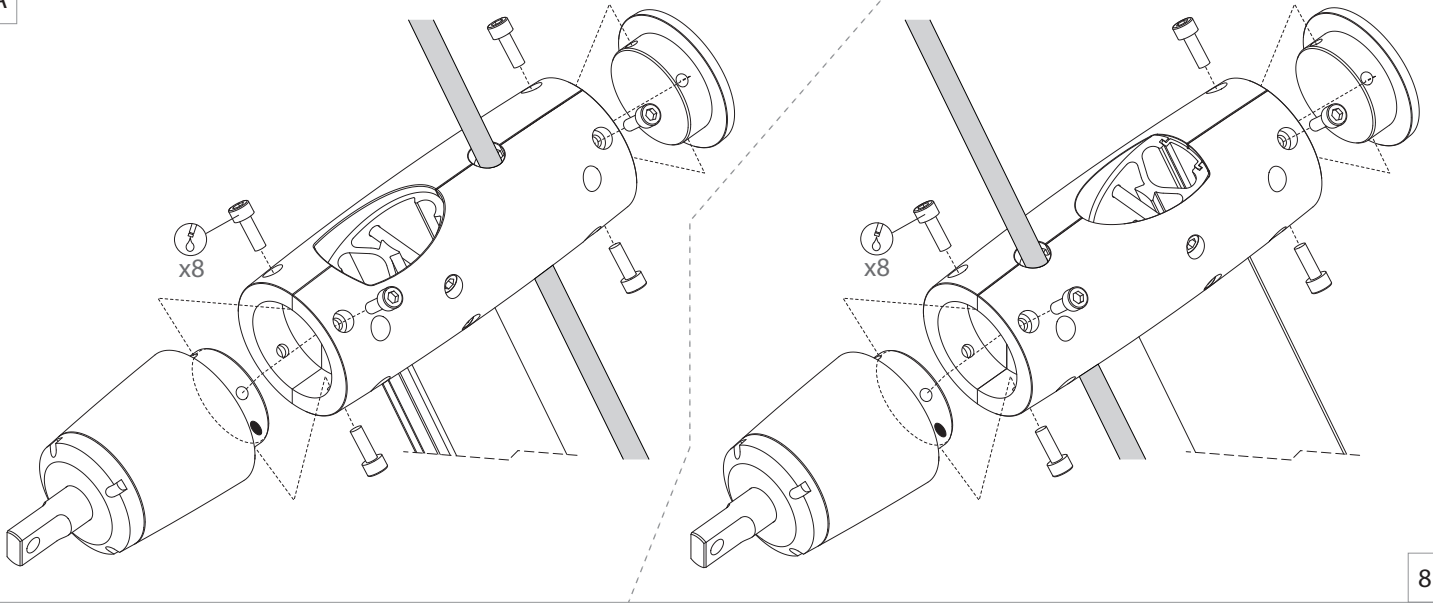
M8 Thumbscrew  
x1

Threadlock  
x1



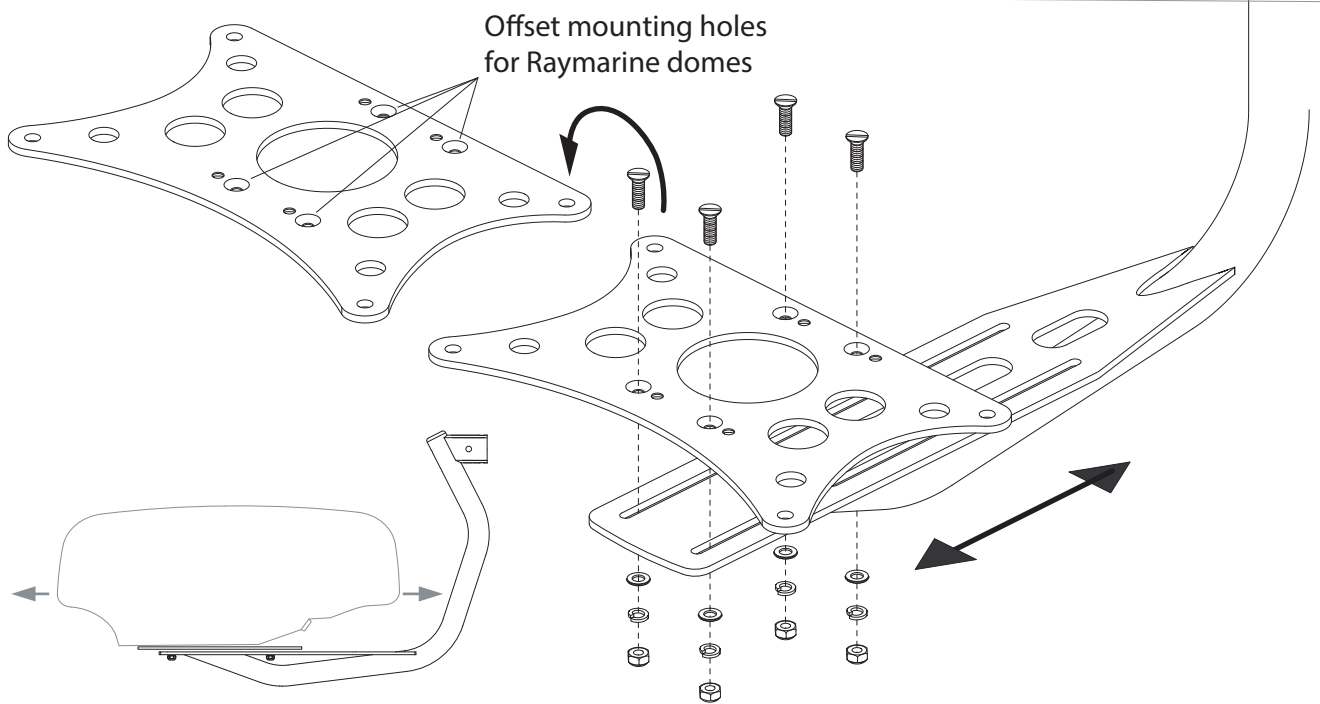


8A

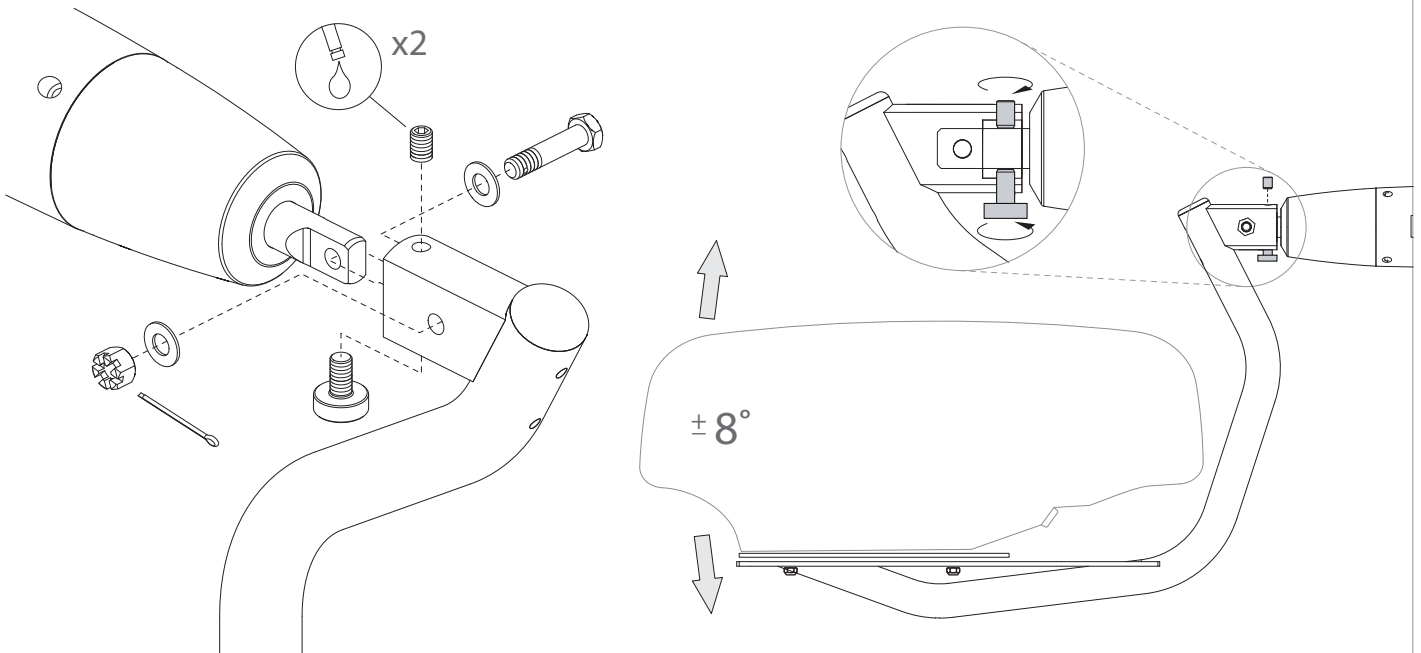


8B

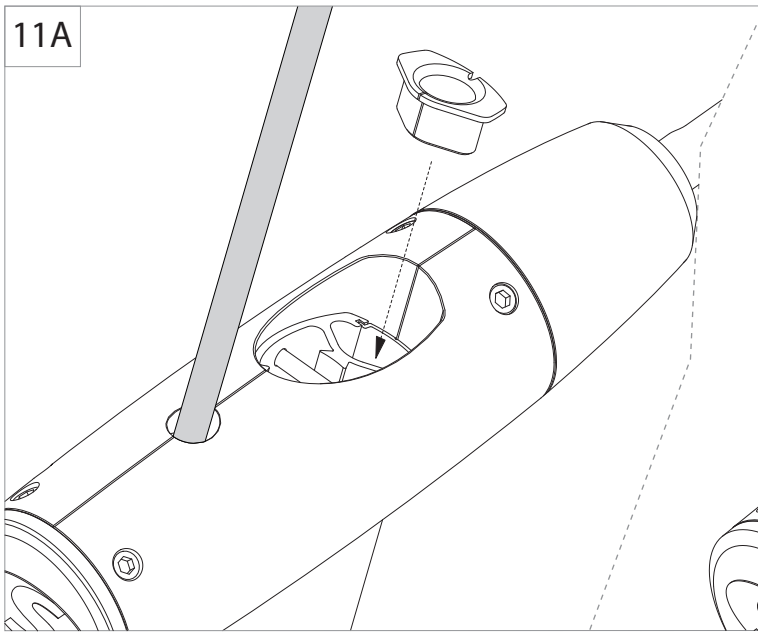
9



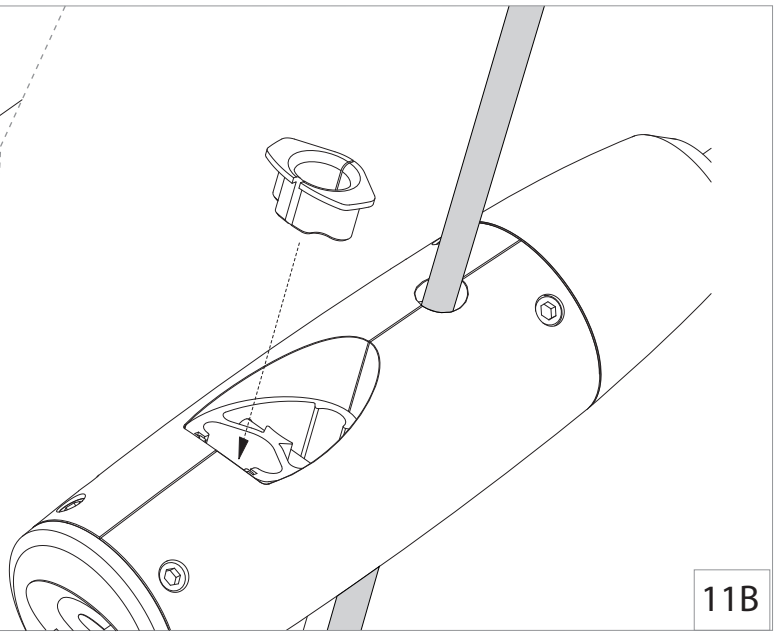
10



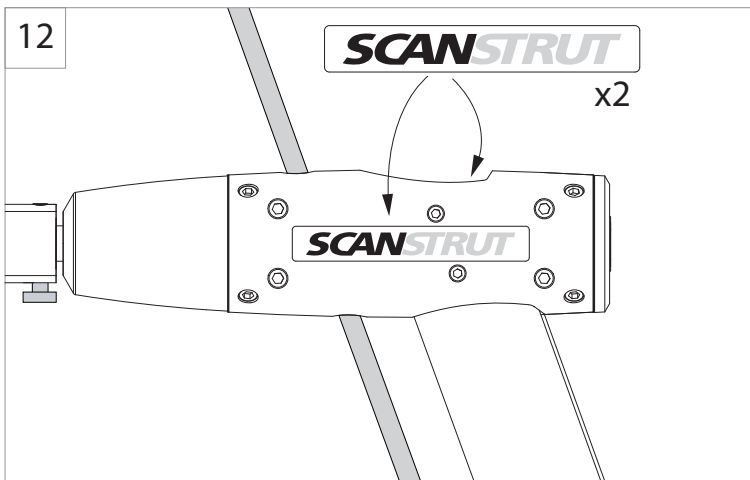
11A



11B



12

**IMPORTANT NOTES**

LMB-F1/A1 and LMB-F2/A2 are intended to mount a single radome as stated in the latest Scanstrut Product Guide – subject to change without prior notice. A GPS antenna can be installed using part LM-GPS.

Use of the LMB-F1/A1 and LMB-F2/A2 with unapproved products, or overloading, invalidates any warranty.

No liability is accepted for damage caused by incorrect installation.

Product has been designed specifically for the mounting of approved radar (listed in the latest Scanstrut Pod Product Guide.) under normal boating conditions.

Product is not designed to withstand overload, impact, excessive force or entanglement in sails and rigging.

The installation and assembly must be regularly inspected for evidence of damage or loose parts.

This product is designed to fit backstay cables from Ø7 [0.27" to Ø14mm].

**IMPORTANT NOTES**

LMB-F1/A1 and LMB-F2/A2 are intended to mount a single radome as stated in the latest Scanstrut Product Guide – subject to change without prior notice. A GPS antenna can be installed using part LM-GPS.

Use of the LMB-F1/A1 and LMB-F2/A2 with unapproved products, or overloading, invalidates any warranty.

No liability is accepted for damage caused by incorrect installation.

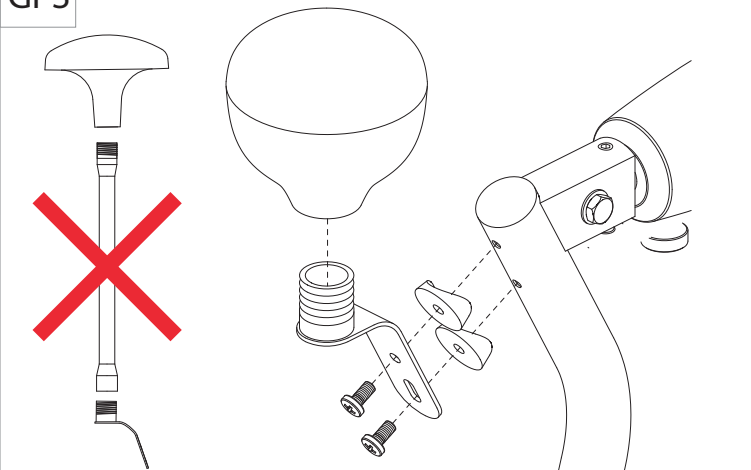
Product has been designed specifically for the mounting of approved radar (listed in the latest Scanstrut Pod Product Guide.) under normal boating conditions.

Product is not designed to withstand overload, impact, excessive force or entanglement in sails and rigging.

The installation and assembly must be regularly inspected for evidence of damage or loose parts.

This product is designed to fit backstay cables from Ø7 [0.27" to Ø14mm].

GPS

**IMPORTANTE**

LMB-F1/A1 e LMB-F2/A2 sono previsti per montare un solo radome come indicato nella più recente Guida ai Prodotti Scanstrut – fatte salve eventuali modifiche senza preavviso. Si può installare un'antenna GPS usando il pezzo LM-GPS.

L'uso di LMB-F1/A1 e LMB-F2/A2 con prodotti non approvati, o un loro sovraccarico, invalida qualsiasi garanzia.

Si declina qualsiasi responsabilità per danni causati da un'installazione erranea.

Questo prodotto è stato studiato appositamente per il supporto di apparecchiature radar approvate (elencate nella Guida ai Prodotti Scanstrut) e utilizzate in normali condizioni di navigazione.

Questo prodotto non è progettato per resistere a sovraccarichi, urti, forze eccessive o l'ingarbugliamento in vele e sartie.

L'installazione e il montaggio devono essere ispezionati con regolarità per verificare la presenza di danni o di pezzi allentati.

Questo prodotto è stato studiato per essere montato su paterazzi di diametro compreso fra 7 e 14 mm.

Per installazioni diverse da quelle qui indicate, si prega di consultare la direzione centrale di Scanstrut.

**IMPORTANT NOTES**

LMB-F1/A1 and LMB-F2/A2 are intended to mount a single radome as stated in the latest Scanstrut Product Guide – subject to change without prior notice. A GPS antenna can be installed using part LM-GPS.

Use of the LMB-F1/A1 and LMB-F2/A2 with unapproved products, or overloading, invalidates any warranty.

No liability is accepted for damage caused by incorrect installation.

Product has been designed specifically for the mounting of approved radar (listed in the latest Scanstrut Pod Product Guide.) under normal boating conditions.

Product is not designed to withstand overload, impact, excessive force or entanglement in sails and rigging.

The installation and assembly must be regularly inspected for evidence of damage or loose parts.

This product is designed to fit backstay cables from Ø7 [0.27" to Ø14mm].

**IMPORTANT NOTES**

LMB-F1/A1 and LMB-F2/A2 are intended to mount a single radome as stated in the latest Scanstrut Product Guide – subject to change without prior notice. A GPS antenna can be installed using part LM-GPS.

Use of the LMB-F1/A1 and LMB-F2/A2 with unapproved products, or overloading, invalidates any warranty.

No liability is accepted for damage caused by incorrect installation.

Product has been designed specifically for the mounting of approved radar (listed in the latest Scanstrut Pod Product Guide.) under normal boating conditions.

Product is not designed to withstand overload, impact, excessive force or entanglement in sails and rigging.

The installation and assembly must be regularly inspected for evidence of damage or loose parts.

This product is designed to fit backstay cables from Ø7 [0.27" to Ø14mm].

**IMPORTANT NOTES**

LMB-F1/A1 and LMB-F2/A2 are intended to mount a single radome as stated in the latest Scanstrut Product Guide – subject to change without prior notice. A GPS antenna can be installed using part LM-GPS.

Use of the LMB-F1/A1 and LMB-F2/A2 with unapproved products, or overloading, invalidates any warranty.

No liability is accepted for damage caused by incorrect installation.

Product has been designed specifically for the mounting of approved radar (listed in the latest Scanstrut Pod Product Guide.) under normal boating conditions.

Product is not designed to withstand overload, impact, excessive force or entanglement in sails and rigging.

The installation and assembly must be regularly inspected for evidence of damage or loose parts.

This product is designed to fit backstay cables from Ø7 [0.27" to Ø14mm].