

# **RAPTOR**

## **SHALLOW WATER ANCHOR**

### **Installation Instructions**

# INTRODUCTION

## THANK YOU

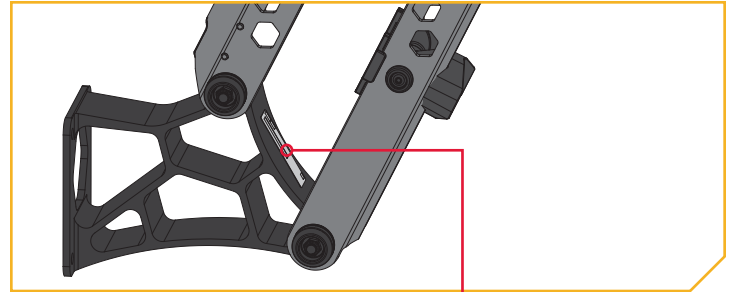
Thank you for purchasing the Minn Kota® Raptor shallow water anchor. This revolutionary shallow water anchor uses state-of-the-art technology to deliver unprecedented levels of boat control. Intuitive features and wireless control enable Raptor to accurately position your boat and improve your bait presentation. Raptor holds your boat in position so you can focus on fishing.

## REGISTRATION

Remember to keep your receipt and immediately register your Raptor. To receive all the benefits of your product warranty, please fill out and mail the registration card. You may also register your product online at [minnkotamotors.com](http://minnkotamotors.com).

## SERIAL NUMBER

Your Minn Kota 11-character serial number is very important. It helps to determine the specific model and year of manufacture. When contacting Consumer Service or registering your product, you will need to know your product's serial number. We recommend that you write the serial number down so that you have it available for future reference.



**NOTICE:** The serial number on your Raptor is located on the mounting bracket beneath the Arm.

## RAPTOR INFORMATION (For Consumer Reference Only)

Model: \_\_\_\_\_

Serial Number: \_\_\_\_\_

Purchase Date: \_\_\_\_\_

Store Where Purchased: \_\_\_\_\_

**NOTICE:** Do not return your Minn Kota product to your retailer. Your retailer is not authorized to repair or replace this unit. You may obtain service by: calling Minn Kota at (800) 227-6433; returning your Raptor to the Minn Kota Factory Service Center; sending or taking your product to any Minn Kota authorized service center. A list of authorized service centers is available on our website, at [minnkotamotors.com](http://minnkotamotors.com). Please include proof of purchase, serial number and purchase date for warranty service with any of the above options.

Made for iPhone® 8, iPhone 7, iPhone 6, and iPad Air® 2

For updated iOS, Humminbird® and Minn Kota® compatibility, visit [minnkotamotors.com](http://minnkotamotors.com)



Use of the Made for Apple badge means that an accessory has been designed to connect specifically to the Apple product(s) identified in the badge, and has been certified by the developer to meet Apple performance standards. Apple is not responsible for the operation of this device or its compliance with safety and regulatory standards. iPad, iPad Air, and iPhone are trademarks of Apple Inc., registered in the U.S. and other countries. The trademark "iPhone" is used in Japan with a license from Aiphone K.K. The Android™ robot is reproduced or modified from work created and shared by Google and used according to terms described in the Creative Commons 3.0 Attribution License.

# SAFETY CONSIDERATIONS

Please thoroughly read the user manual. Follow all instructions and heed all safety considerations. Use of this product is only permitted for persons that have read and understood these instructions. Minors may use this product only under adult supervision.

## **WARNING**

You are responsible for the safe and prudent operation of your boat or vessel, and Raptor(s). This product does not relieve you from the responsibility of safe operation of your boat. It may be hazardous to operate your Raptor in rough or turbulent water conditions, such as fast currents or changing environmental conditions. Do not deploy your Raptor if these conditions are present, especially when the underwater topography is unknown. Failure to follow this warning may result in unexpected operation or failure of the Raptor to operate or anchor and could cause death or serious injury. You must avoid hazards to anchoring and always maintain a permanent watch so you can maintain proper control of your boat. You must always be prepared to regain manual control of your boat. Learn to operate your Minn Kota product in an area free from hazards and obstacles.

## **WARNING**

The Raptor should be disconnected from the power source when it is not in use or is off the water for more than a month. When connecting the power-supply cables of the Raptor to the battery or power switch, ensure that they are not kinked or subject to chafe and route them in such a way that persons cannot trip over them. Before using the Raptor make sure that the insulation of the power cables is not damaged. Disregarding these safety precautions may result in electric shorts of battery(s) and/or the product. Always disconnect the Raptor from battery(s) before cleaning or checking the Raptor. In the event of unexpected operation, remove power leads from the battery. Avoid submerging the Pump Assembly as water may enter, considerable damage to the product can occur. This damage will not be covered by warranty. The constant noise pressure level of the Raptor during use is less than 70dB(A). The overall vibration level does not exceed 2,5 m/sec<sup>2</sup>.

## **WARNING**

Take care that neither you nor other persons approach the Raptor Spike too closely while operating, neither with body parts nor with objects. The Raptor is powerful and may endanger or injure you or others. While the Raptor is operating, watch out for persons swimming and for floating objects. Persons who lack the ability to run the Raptor or whose reactions are impaired by alcohol, drugs, medication, or other substances are not permitted to use this product.

## **CAUTION**

Never leave the boat unattended with the Raptor as your only boat anchor. The Raptor is not intended to provide primary anchorage.

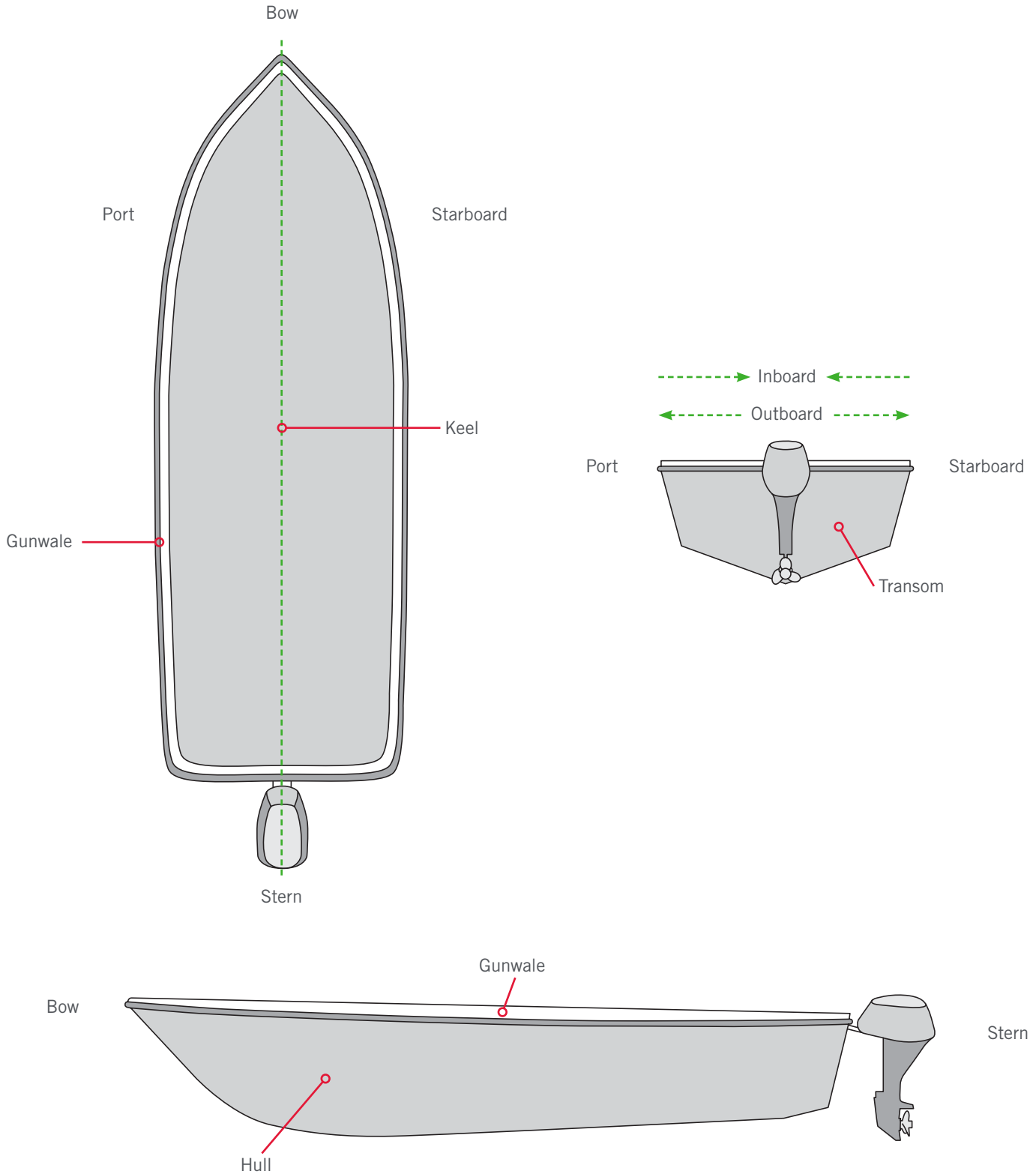
## **WARNING**

It is recommended to only use Johnson Outdoors approved accessories with your Raptor. Using non-approved accessories including those used to mount or control your product may cause damage, unexpected operation and injury. Be sure to use the product and all approved accessories, including remotes, safely and in the manner directed to avoid accidental or unexpected operation. Keep all factory installed parts in place including motor, electronic and accessory covers, enclosures and guards. Failure to adhere to this warning may affect your warranty.

## **WARNING**

THIS PRODUCT CONTAINS A BUTTON BATTERY. If swallowed, a lithium button battery can cause severe or fatal injuries within two hours. Keep batteries out of reach of children. If you think batteries may have been swallowed or placed inside any part of the body, seek immediate medical attention.

# KNOW YOUR BOAT



# INSTALLATION

## INSTALLING THE RAPTOR

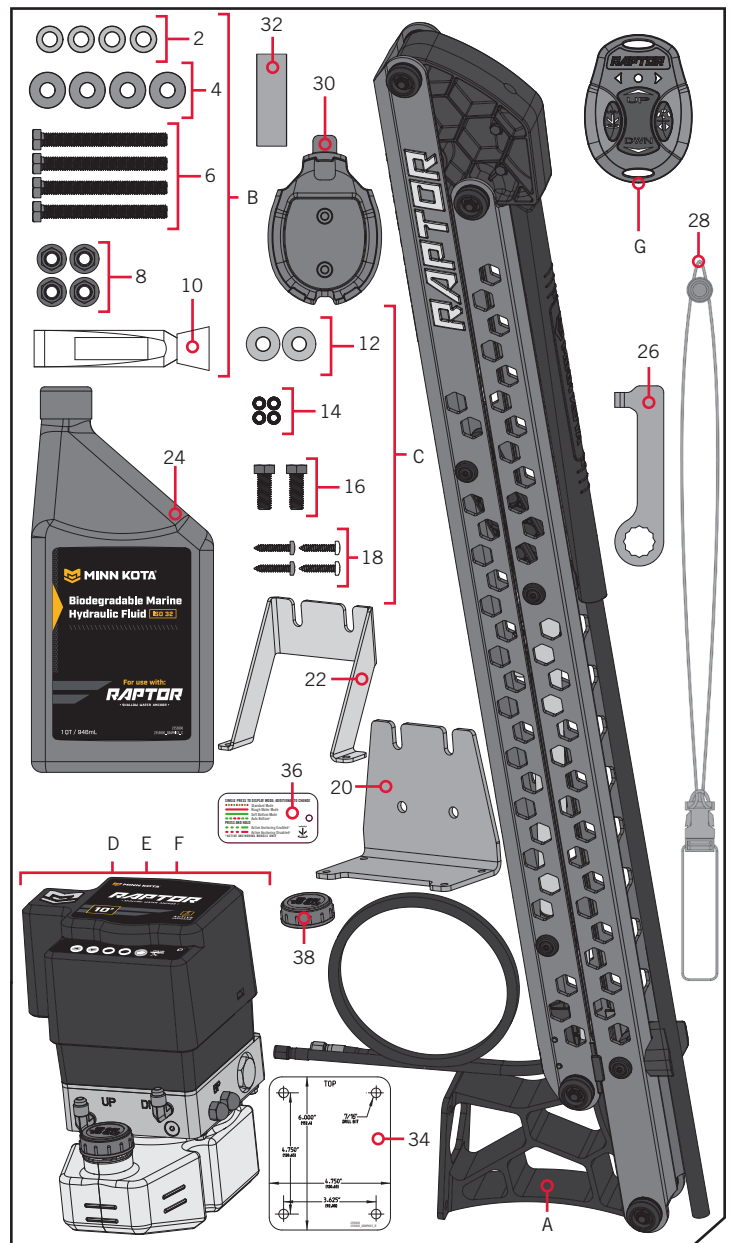
Your new Raptor comes out of the box with the hardware you'll need to install it directly to the transom of your boat. If you have an irregularly shaped transom that cannot accept a direct mount, or you prefer to mount the Raptor with an adapter bracket for ease of mounting and removal, please visit [minnkotamotors.com](http://minnkotamotors.com) for details on our Raptor adapter brackets. For installation with a Raptor adapter bracket, refer to the installation instructions provided with the bracket. For compatible Raptor adapter brackets, to locate the nearest dealer, or for additional product support, please visit [minnkotamotors.com](http://minnkotamotors.com). To install the Raptor directly to the boat, please follow the directions provided in these installation instructions. Please review the parts list, mounting considerations and tools needed for installation prior to getting started.

### INSTALLATION PARTS LIST

Item / Assembly	Part #	Description	Qty.
A	*	RAPTOR ASSEMBLY	1
B Items 2-10	2994943	BAG, ASM, RAPTOR HWD	1
2	2371758	WASHER-3/8 HD FLAT SS	4
4	2371759	WASHER-3/8 HD FENDER SS	4
6	2383421	SCREW-3/8-16X3 1/2 HHCS SS	4
8	2353102	NUT-3/8-16 FLANGE,NYLOK,SS	4
10	2378608	ANTI SEIZE TUBE, 4CC, TALON	1
C Items 12-18	2994944	BAG ASM, RAPTOR PUMP HDW	1
12	2351735	WASHER-3/8" BELLEVILLE SS	2
14	2351733	WASHER-#10 BELLEVILLE SERRATED	4
16	2353412	SCREW-3/8-16 X 1.0" HHCS SS	2
18	2353420	SCREW-#10-16X1.00 TY AB SS	4
20	2351933	BRACKET-MOUNTING, PUMP	1
22	2351934	BRACKET-REINFORCING	1
24	2357700	OIL-HYDRAULIC, QUART, RPTR	1
26	2358800	WRENCH-PRESSURE, RAPTOR	1
28	2390801	LANYARD, REMOTE	1
30	2371829	BRACKET,RMT DASH MNT HLDR	1
32	2375104	TAPE,MNTG,FOAM ULINE #S-10131	1
D	2774106	ASSEMBLY, MAIN PUMP STD 8' *8ft Standard*	1
E	2774105	ASSEMBLY, MAIN PUMP AA 8' *8ft AA*	1
F	2774107	ASSEMBLY, MAIN PUMP AA 10' *10ft AA*	1
G	2994156	TRANSMITTER ASM, RAPTOR	1
▲	2357141	INSTALL. INSTRUCTIONS,RPTR	1
▲	2357142	DISCLAIMER-DOWNLOAD,MANUAL	1
▲	2357140	MANUAL, RAPTOR ANCHOR	1
34	2358830	RAPTOR MOUNTING TEMPLATE	1
36	2354110	TAG, REMOTE, RAPTOR	1
38	2350200	CAP-FILL, RESERVOIR	1

\* This part is included in an assembly and cannot be ordered individually.

▲ Not shown on Parts Diagram.



# ANCHOR MOUNTING CONSIDERATIONS

## MOUNTING CONSIDERATIONS >

### > Anchor Mounting Considerations

Minn Kota recommends mounting the Raptor directly to the transom of the boat with the built-in Mounting Bracket. Your Raptor comes complete with all the necessary hardware to mount directly to the transom. The Raptor may also be mounted using an optional adapter bracket when direct transom mounting is not possible or desired due to obstructions or irregularly shaped transoms. For more information on universal adapter brackets and other Minn Kota® Raptor accessories, please visit [minnkotamotors.com](http://minnkotamotors.com). When using an adapter bracket to mount the Raptor, please use the instructions included with the accessory.

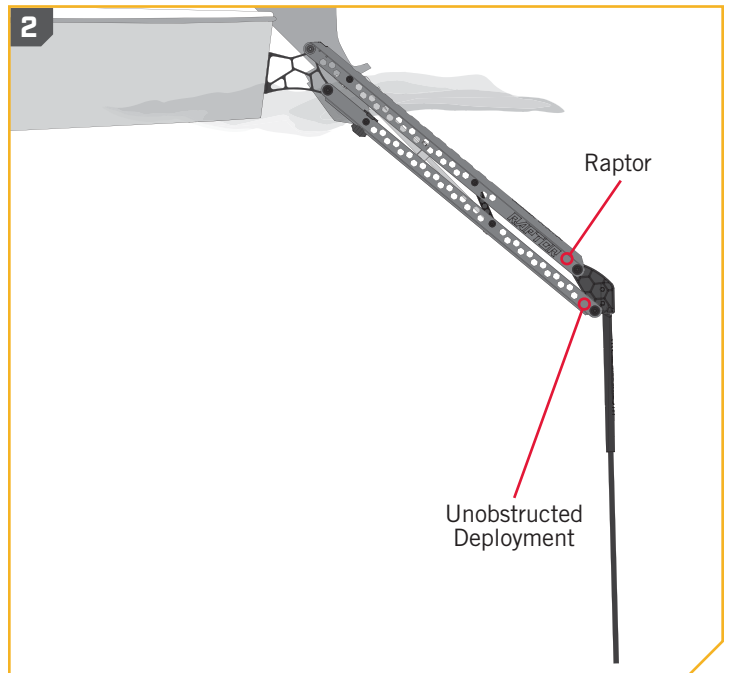
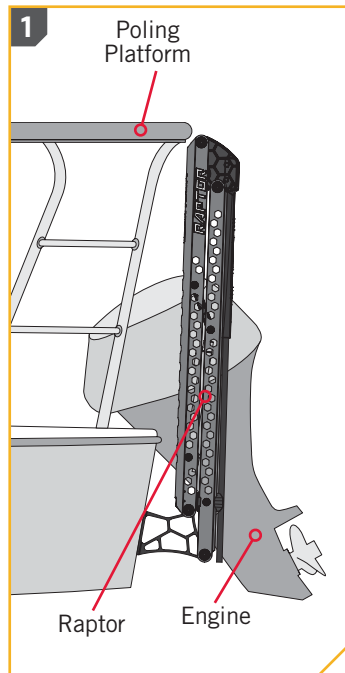
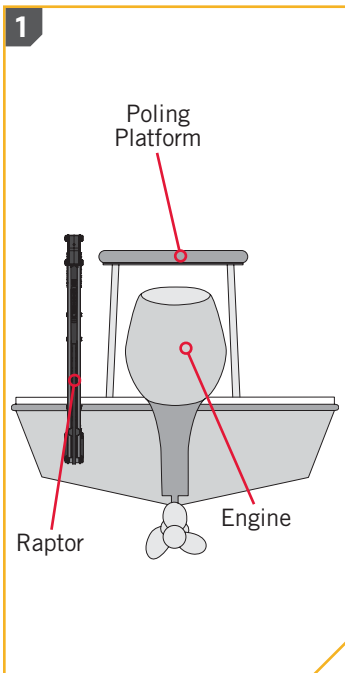
In order to use the direct mount installation, the following conditions need to be met:

**1. Unobstructed Mounting** - When selecting the Raptor Mounting Bracket mounting location, examine your boat to ensure that you will not drill into any obstructions and that the hardware will be accessible for assembly. Make sure that the Transom is strong enough to accept the Raptor mounted at the intended location.

**2. Unobstructed Deployment and Retraction** - The Raptor is designed to mount on either the port or starboard side of the transom. The Raptor must have a clear, unobstructed path to deploy. Check to make sure that your proposed location will allow the anchor to deploy and retract without hitting trim tabs, poling platforms, ladders, the engine or other obstructions. You should also consider your fishing methods when selecting the mounting location.



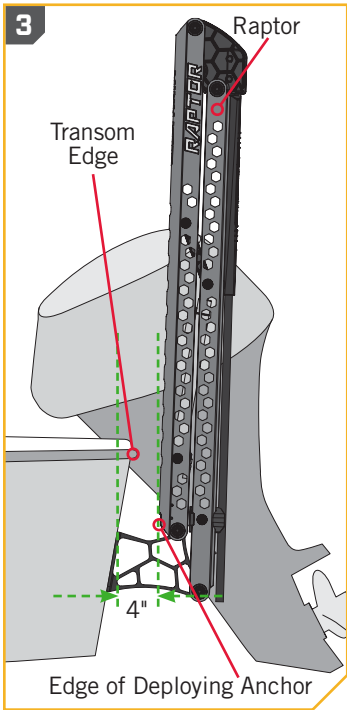
View accessories available for your Raptor at [minnkotamotors.com](http://minnkotamotors.com).



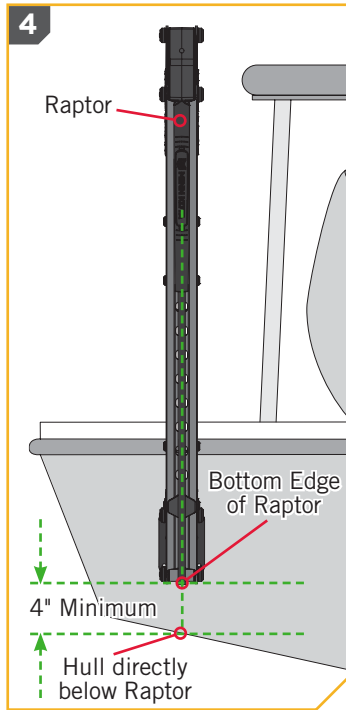
## ⚠ CAUTION

Follow all instructions and heed all safety considerations. Minn Kota recommends having a second person help with installation. Not following proper installation and rigging instructions may result in injury. Mounting the Raptor too low can cause undue drag from the Raptor or Mounting Bracket when operating the boat. It is important to mount the Raptor as recommended to avoid unsafe driving conditions.

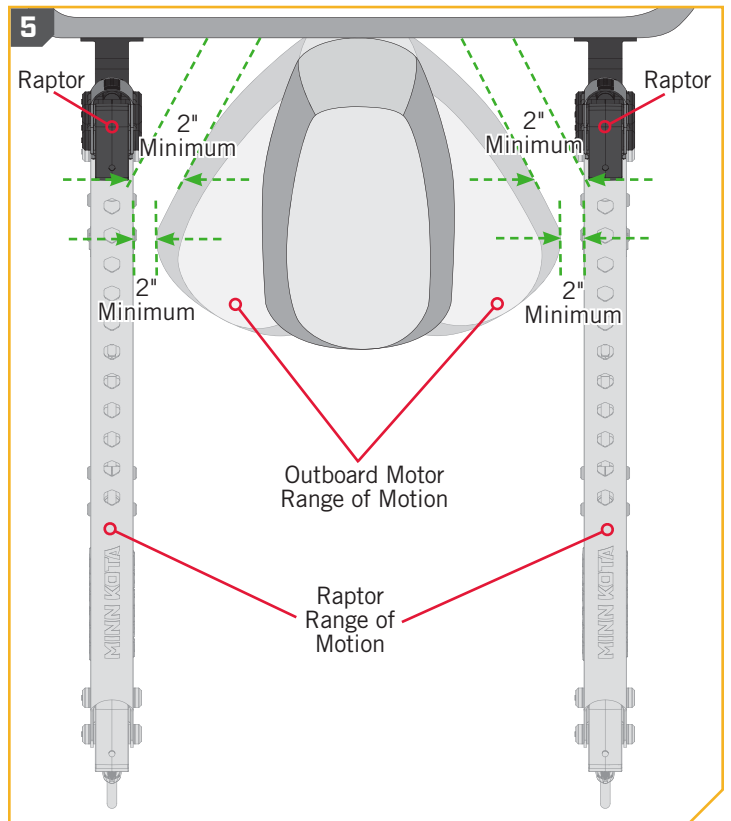
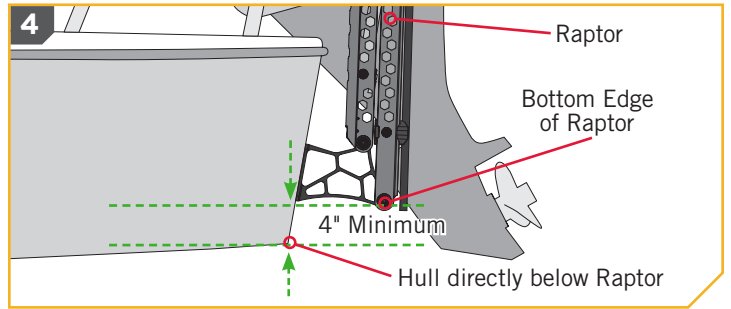
# ANCHOR MOUNTING CONSIDERATIONS



**3. Transom to Raptor Clearance** - The Raptor Mounting Bracket included with your unit will allow for approximately 4" of clearance or set back from the transom to the front edge of the deploying anchor.



**4. Raptor to Hull Clearance** - The bottom edge of the Raptor should never be less than 4" above the hull directly below the Raptor to prevent spray and drag conditions.



**5. Raptor to Engine Clearance** - When selecting a mounting location, make sure that no interference exists between the Raptor and your engine during normal operation. Once you have selected your mounting location, trim the engine all the way up and all the way down, and steer the engine fully to the left and right to confirm proper engine clearance. Ensure there is a minimum of two to three inches of clearance from any point on the Raptor in all states of stow and deploy.

If these conditions are not met, please consider using an optional Minn Kota adapter bracket accessory. There are many adapter brackets designed for the Raptor that allow for greater adjustability of the mount and allow for greater clearances to operate the Raptor. Please visit [minnkotamotors.com](http://minnkotamotors.com) to learn more about selecting and installing an adapter bracket.

**NOTICE:** In some instances, boat manufacturers have begun to make hollow boat Transoms. We recommend speaking to your local boat dealer or OEM Manufacturer for mounting recommendations.

**Review the mounting considerations for the hydraulic pump and hose routing before installing the anchor to the boat.**

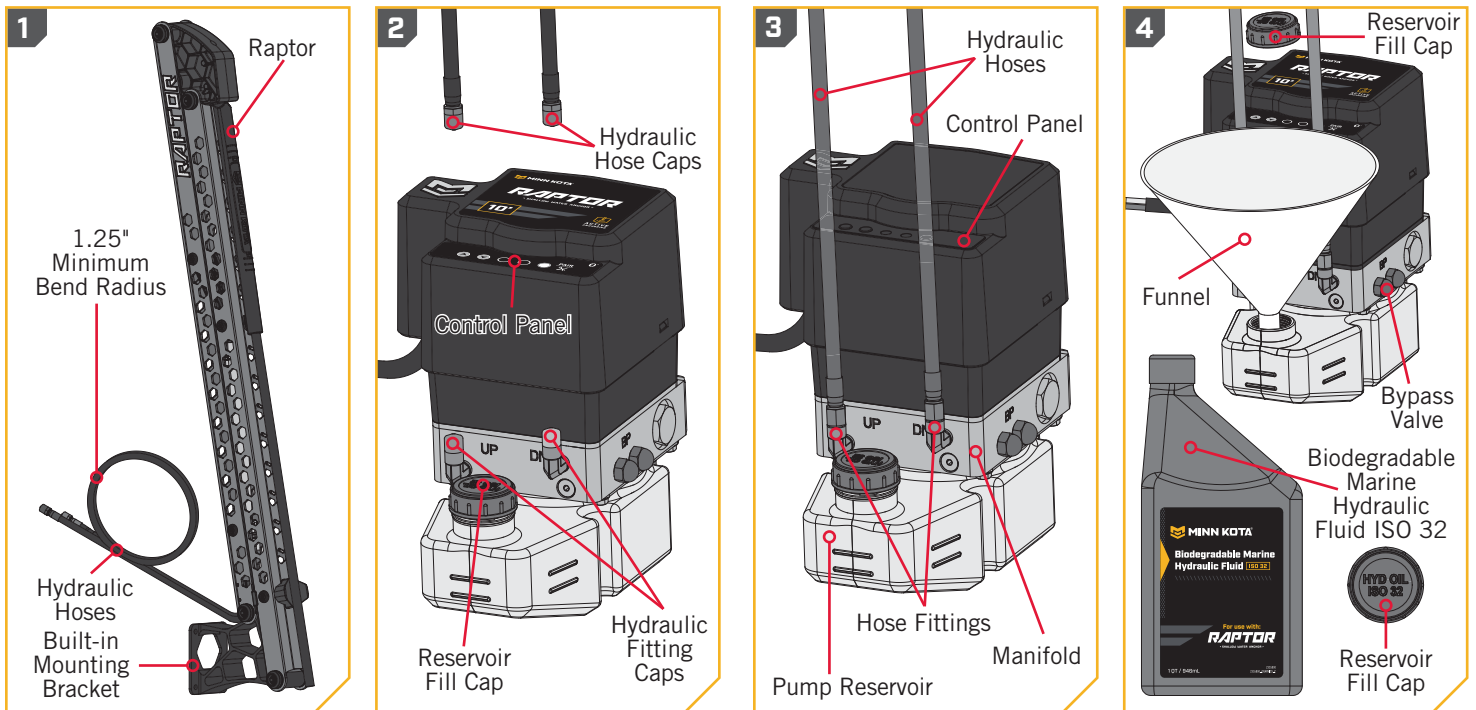
# HYDRAULIC PUMP MOUNTING CONSIDERATIONS

## Hydraulic Pump Mounting Considerations

Minn Kota recommends reviewing all mounting considerations for the hydraulic pump and hose routing for the Raptor to ensure that all circumstances are taken into account before installation.

In order to successfully route the hydraulic hoses and mount the hydraulic pump, please consider the following:

**1. Hydraulic Hose Routing** - The hydraulic hoses exit the anchor near the top of the built-in mounting bracket and will be routed to the hydraulic pump. When selecting the mounting location for the hydraulic pump, examine your boat to ensure that you can route hydraulic hoses to the intended hydraulic pump mounting location, and the hoses can be connected once the pump is mounted. Hoses may be routed over or through the hull of the boat. It is recommended to route hoses through an established routing on the boat, such as where the main engine lines are routed. If routing through an established routing on the boat such as the manufacturer's boot, ect, make sure they are re-rigged and tightened to their original state when installation is complete. If drilling holes in the hull of the boat is necessary, make sure that the drilled location is free from obstructions that could damage existing gas or electrical lines. Make sure that the hoses have enough slack so that the anchor can be deployed and stowed without creating pinch points or excessive tightness along the path for the intended mounting locations. Make sure that the hoses do not pass over any sharp surfaces or edges that could cause abrasions over time. Make sure that the hydraulic hoses are not kinked or bent when routing through the boat compartment. The minimum bend radius for hose routings is 1.25 inches. Hydraulic lines shall be routed away from heat sources. There shall be no joints or connections in hydraulic lines directly over exhaust lines or high temperature manifolds. Make sure that the routed hoses do not create a tripping hazard.



**2. Keep Hydraulic Lines Clean** - During installation, precautions must be taken to prevent the entrance of foreign material into components or hydraulic lines. Take note of the black and green caps on the hose fittings on the hydraulic pump and hydraulic hoses. Do not prematurely remove the protective caps from the ends of the hydraulic hoses that exit the anchor or the hose fittings on the pump assembly. Keep the fill cap on the pump reservoir in place unless filling the reservoir, to keep dirt and debris from entering.

**3. Hose Attachment** - Install the pump in a way so that there is space between the compartment or mounting locations and the pump to attach hoses. The hose fittings are located on the manifold of the hydraulic pump between the pump reservoir and control panel. Also be sure that the location will have room to allow the hoses to pass through and maintain proper hose placement that will prevent it from bending or kinking.

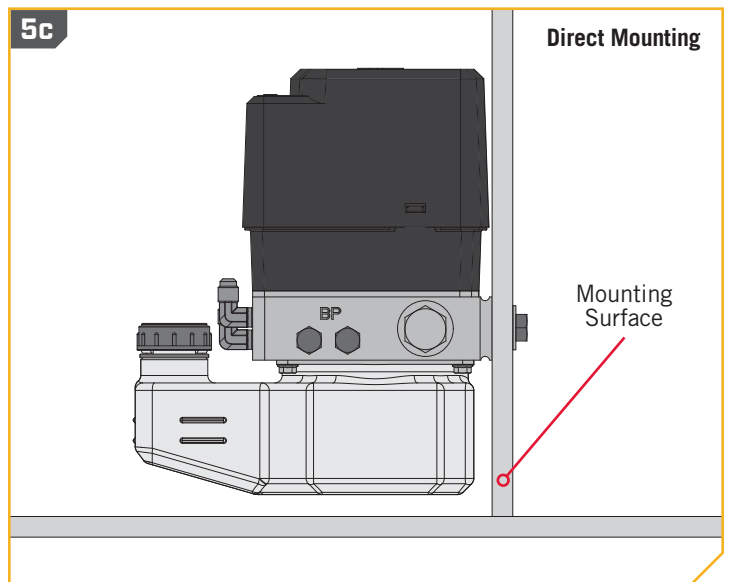
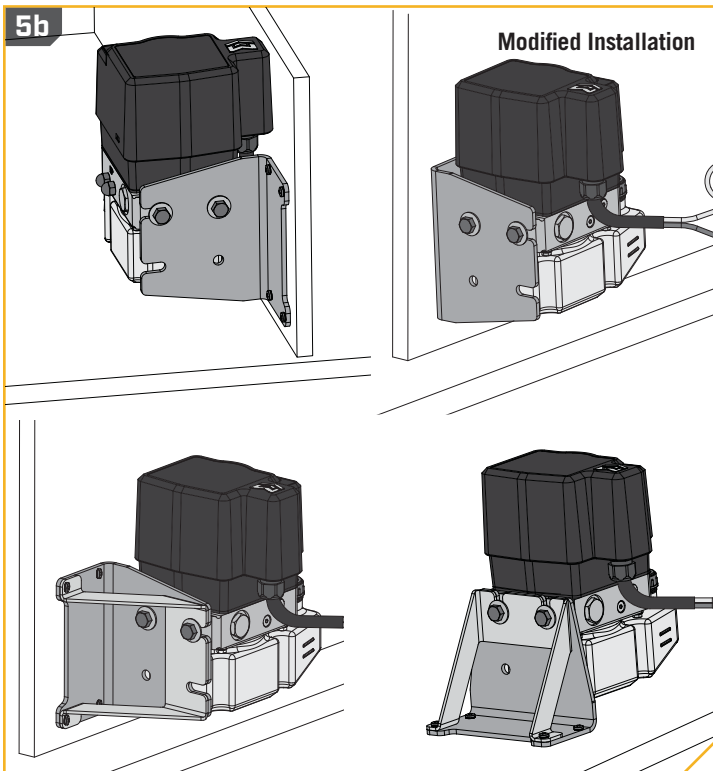
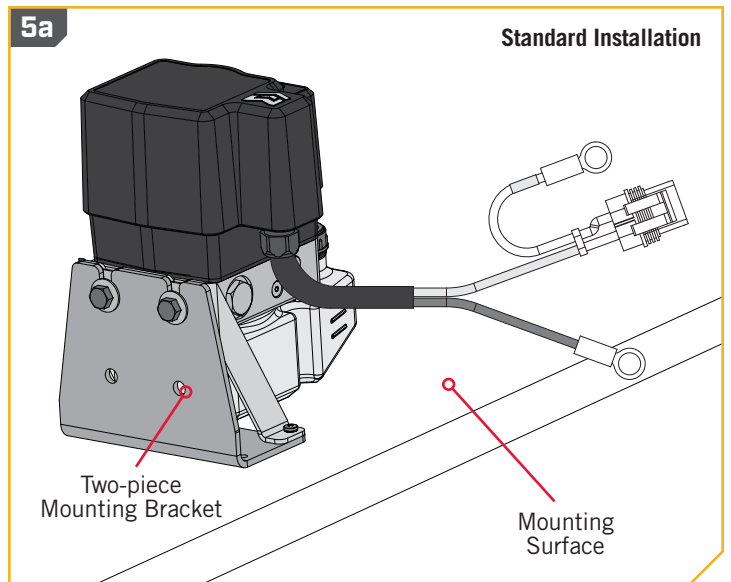


# HYDRAULIC PUMP MOUNTING CONSIDERATIONS

**4. Hydraulic Fluid and Filling Access** - Make sure that the mounting location allows for the pump to be filled with hydraulic fluid. The cap to the pump assembly must be accessible to fill the hydraulic pump reservoir with hydraulic fluid. Be sure that the installation location allows access with a funnel or similar tool to aide in filling the reservoir. The pump is filled with fluid as noted on the red cap marked "Hyd Oil ISO 32". Biodegradable Marine Hydraulic Fluid ISO 32 (Item# 2357700) is provided for the installation.

**5. Secured Mounting** - Mount the pump in a secure location where it will remain affixed to a rigid surface. Hydraulic components shall be secured to the boat's structure in consideration of the potential forces transmitted. It is recommended to mount the hydraulic pump with the Two-piece Mounting Bracket provided. The Pump Assembly must be mounted vertically. If adjustments to the mounting need to be made, adjust the position of the Two-piece Bracket that will accommodate keeping the Pump Assembly vertical. Make sure that there is enough room to successfully use the tools needed to secure the installation hardware to the intended mounting location. Make sure that the hydraulic hoses will not be kinked or bent when attached to the pump. Options for mounting the pump include:

- a. **Standard Installation** - Mounting the pump with the Two-piece Mounting Bracket.
- b. **Modified Installation** - Mounting the pump using either both of the pieces from the Two-piece Mounting Bracket rotated to fit your specific mounting needs or just the Pump Mounting Bracket (Item #20) on its own rotated to fit your specific mounting needs.
- c. **Direct Mounting** - Mounting the Hydraulic Pump directly to a secure structure on the boat without the use of the bracket.

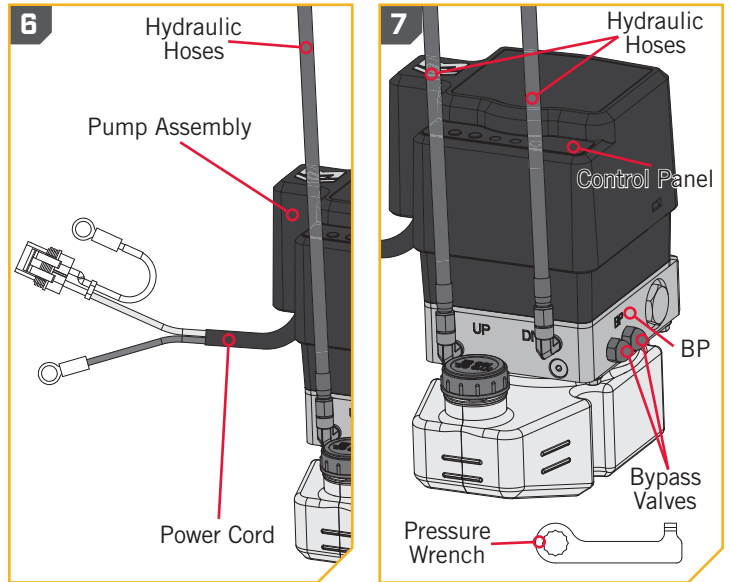


# HYDRAULIC PUMP MOUNTING CONSIDERATIONS

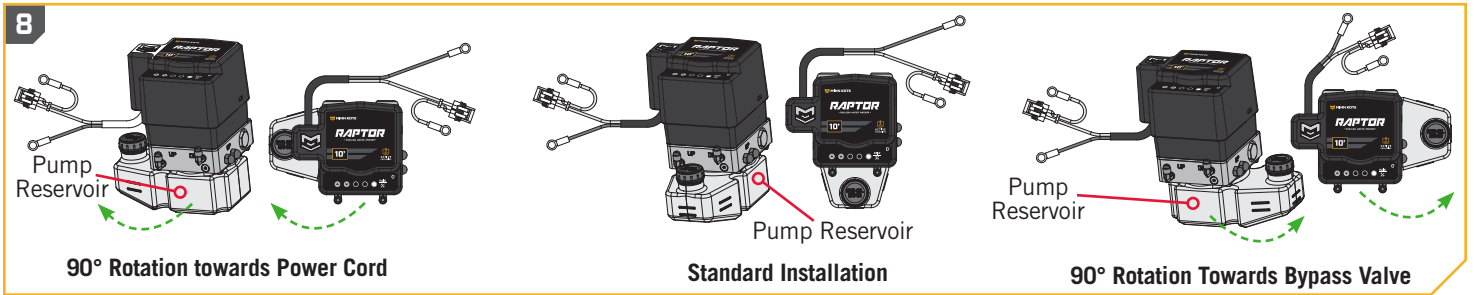
**6. Power Source** - Make sure that the power cord can reach its intended power source and will not pose as a tripping hazard. It is recommended to mount the pump as close to the power source as possible to create the least obtrusive routing for cables between the pump and power source.

**7. Bypass Access** - On the side of the hydraulic pump manifold, there are two acorn nuts that cover manual Bypass Valves in the event of the need to Emergency Stow. The installation kit comes with a Pressure Wrench (Item #2358800). Be sure that the installation location allows a minimum of 1-1/2 inch clearance around the "BP" on the pump manifold to access these acorn nuts and the Bypass Valves below them and enough space to utilize the Pressure Wrench. Store the pressure wrench in the boat.

**8. Reservoir Clearance** - When selecting the mounting location, it may be necessary to rotate the position of the reservoir on the hydraulic pump to accommodate for tight mounting locations. The hydraulic pump comes out of the box with the reservoir fill cap directly below the hydraulic hose fittings on the pump manifold. The reservoir can be rotated 90 degrees to either the right or the left so that the fill cap is either directly below the power cord, or directly below the bypass valves on the manifold to accommodate a variety of installation variability. If you need to rotate your Pump Reservoir, please see the "Rotating the Pump Reservoir" section of these instructions.



**NOTICE:** The orientation of the Reservoir on the pump may affect how the Two-piece Mounting Bracket is used.



## ⚠️ WARNING

Do not run the Hydraulic Pump until after hydraulic fluid has been added. Running the Hydraulic Pump without hydraulic fluid can damage the pump.

### TOOLS AND RESOURCES REQUIRED >

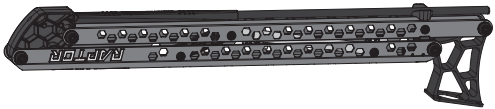
- Drill
- 5/16" Drill Bit
- 9/16" Box End or Socket Wrench
- Marine Grade Sealant
- Cable Ties
- 30ft/lb capacity Torque Wrench
- Awl or similar marking tool
- A second person to help with installation
- Funnel
- Masking Tape
- 7/16" Drill Bit
- 5/16" Deep Well Socket or 5/16" Ratchet Wrench
- 1/8" Drill Bit
- 3/4" Drill Bit
- Anti-seize
- 5/32" Drill Bit
- File, sand paper, or emery board
- #2 Phillips Bit
- Tie Wraps

INSTALLATION >

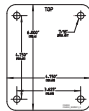
> Installing the Raptor

1

ITEM(S) NEEDED



#A x 1

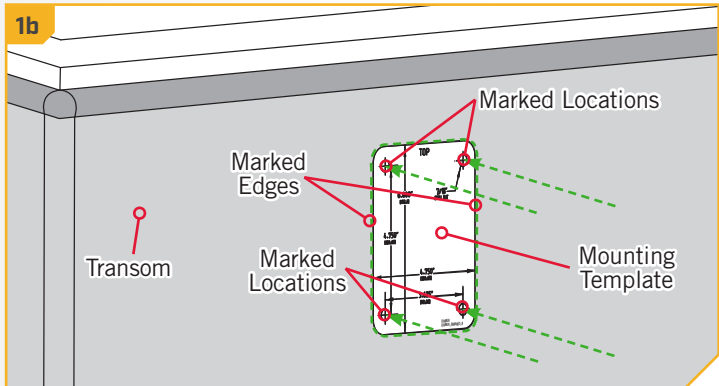
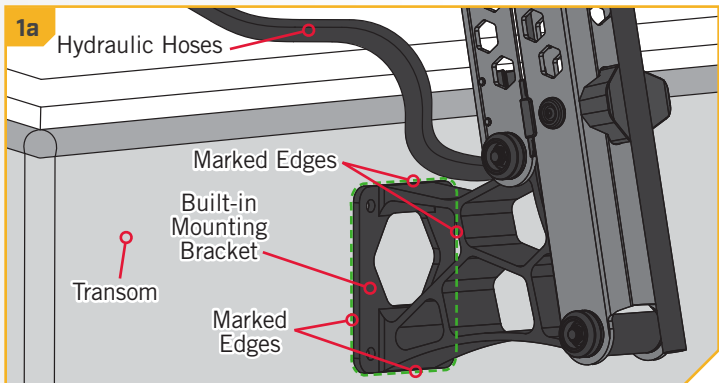


#34 x 1

- a. Review the Mounting Considerations to determine if it is acceptable to complete a direct mount of the Raptor Built-in Mounting Bracket. Move the Hydraulic Hoses away from the bracket and out of the way for installation. If acceptable, position the Built-in Mounting Bracket (Item #A) at the selected location and mark the edge of the Mounting Bracket with a pen or similar marking tool. Mark at least 2 of the 4 edges and then set the Mounting Bracket aside.

**NOTICE:** The Raptor weighs approximately 27lbs. It is recommended to have a second person help with installation.

- b. With the Raptor set aside, take the Mounting Template (Item #34) and place it along the marked edges. Using a level along the edge of the Mounting Template, rotate the position of the template so that it sits level. Use an awl or similar marking tool and mark all four Mounting Holes. All 4 Mounting Holes are used for the installation of the Raptor.

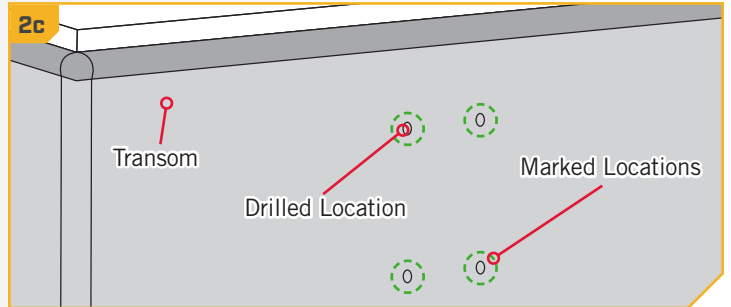


# INSTALLING THE RAPTOR

2

- c. Double check that the mounting location is clear to drill holes and then use a Drill with a 7/16" Drill Bit to drill through the Transom/Stern of the boat on the marked locations.

**NOTICE:** When drilling holes into fiberglass, it is helpful to first cover the surface with masking tape. This will help keep the boat surface unmarked and help with cleanup. Cover the surface and then mark the location to drill. Once the holes are drilled, remove the masking tape before continuing installation.



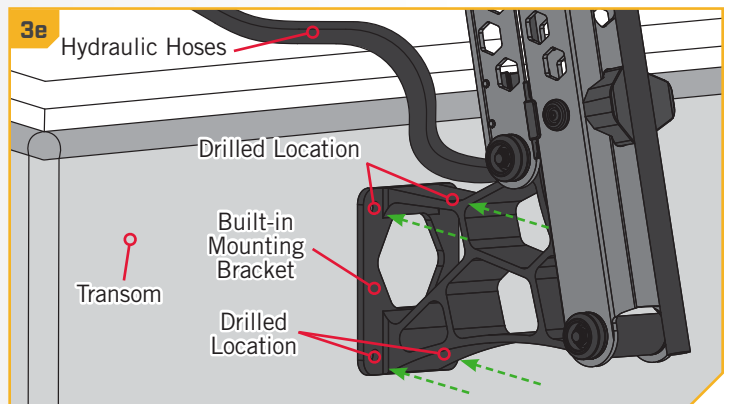
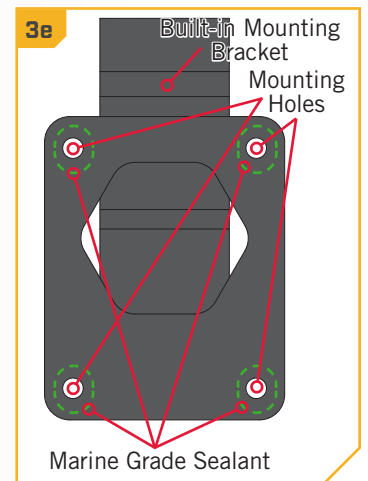
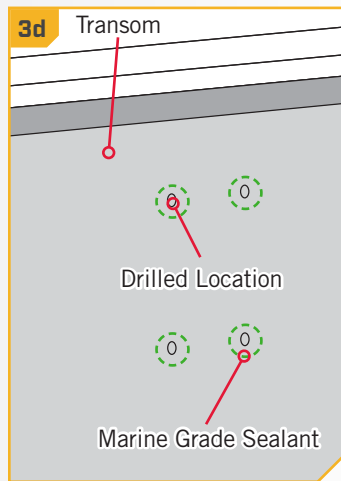
**NOTICE:** When drilling the marked holes, make sure that the drill bit is perpendicular to the Transom/Stern of the boat and that the holes are being drilled straight. Not drilling the holes straight will give the mounting hardware a poor fit.

3

- d. Place a 1/8" bead of Marine Grade Sealant on the Transom of the boat around the drilled holes.
- e. Place the Marine Grade Sealant around the Mounting Holes on the face of the Built-in Mounting Bracket that will contact the boat Transom/Stern when mounted. Keep the sealant approximately centered between the outside edge of the Mounting Bracket and the Mounting Holes. Once the sealant is in place, align the Built-in Mounting Bracket in the desired orientation with the holes that were drilled in the Transom/Stern. Make sure that the Hydraulic Hoses are out of the way to install hardware.

## CAUTION

Do not use the Built-in Mounting Bracket or Raptor as a step to enter the boat. The bracket will be slippery when wet and is not designed to support people. Using this product as a step may result in injury.



4

ITEM(S) NEEDED

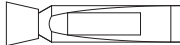
⊙ #2 x 4

⊙ #4 x 4



#6 x 4

⊙ #8 x 4

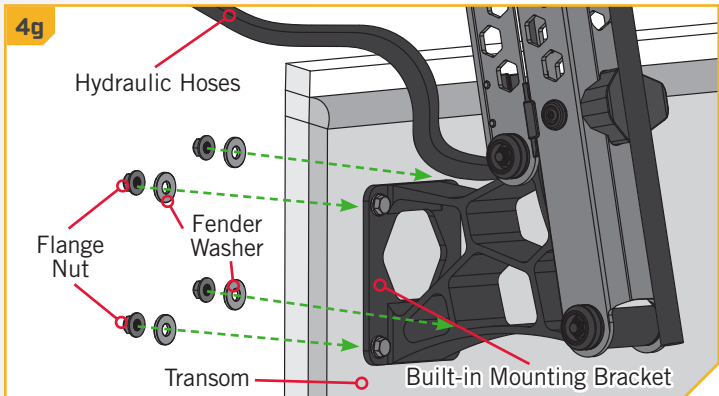
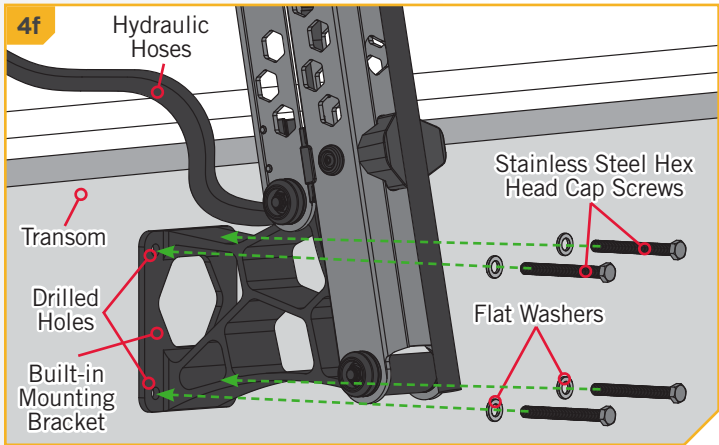


#10 x 1

- f. Take each of the four 3-1/2" Stainless Steel Hex Head Cap Screws (Item #6) and place one Flat Washer (Item #2) on them. Apply anti-seize (Item #10) to the hardware. Place one screw in each of the Mounting Holes so that it passes through the Built-in Mounting Bracket and the drilled holes on the transom of the boat.
- g. Place a Fender Washer (Item #4) on the end of each Screw on the inside of the Transom and then secure each with a Flange Nut (Item #8). Apply anti-seize to the threads before tightening. Tighten the screws with a 9/16" Box End or Socket Wrench. Do not over-tighten. Tighten to 20 ft-lbs. Recheck mounting hardware periodically to make sure it remains tight.

**NOTICE:** To prevent seizing of the stainless steel hardware, do not use high speed installation tools. Applying an anti-seize may help prevent seizing.

**NOTICE:** If you are replacing a Talon with the Raptor, DO NOT REUSE the 5/16" Talon mounting hardware for mounting purposes.



# ROTATING THE PUMP RESERVOIR

## Rotating the Pump Reservoir

After reviewing the mounting considerations for your installation, you may have identified that the reservoir on your Pump Assembly needs to be rotated. If your installation requires rotating the Pump Reservoir, please follow the instructions below. If your installation does not require the Pump Reservoir to be rotated, please see "Installing the Hydraulic Pump" section of these instructions.

1

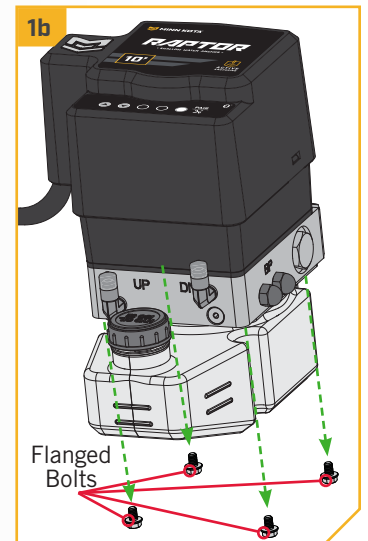
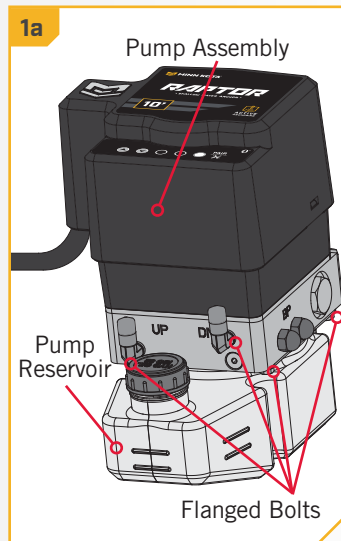
### ITEM(S) NEEDED



#D, E, or F x 1

- Take the Pump Assembly (Assembly D, E, or F) and identify the four Flanged Bolts that hold the Pump Reservoir in place on the Pump Assembly.
- Using a 5/16" Deep Well Socket or 5/16" Ratchet Style Wrench, remove all four Flanged Bolts and set them aside.

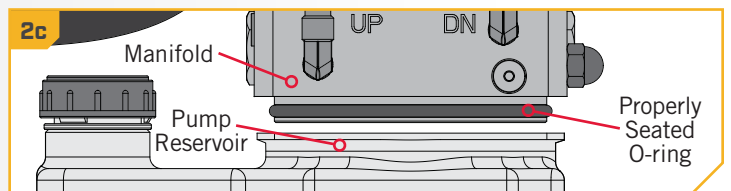
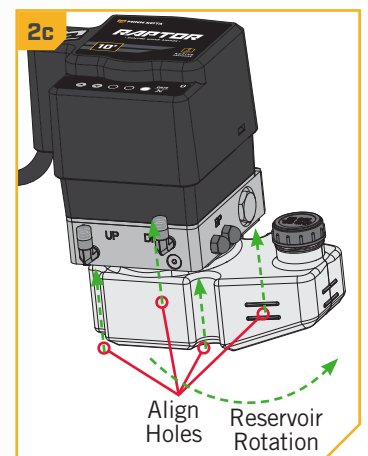
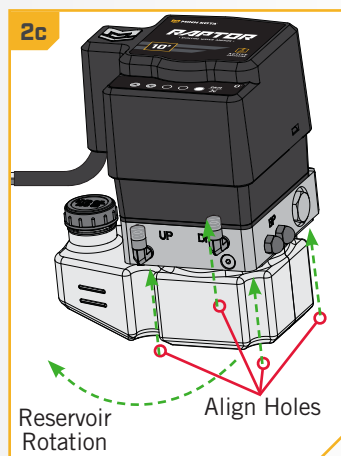
**NOTICE:** Do not pull the Pump Reservoir off of the Pump Assembly. It is recommended to rotate the Pump Reservoir in place to maintain a proper seal between pump components.



2

- Determine which direction the Pump Reservoir will be rotated. While firmly holding the top of the Pump Assembly, rotate the Pump Reservoir to its new position. Complete the rotation by making sure that the holes in the Pump Reservoir are aligned with the holes for the Flanged Bolt.

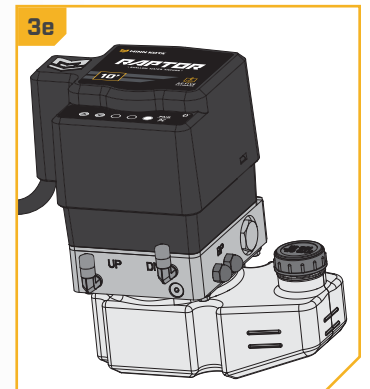
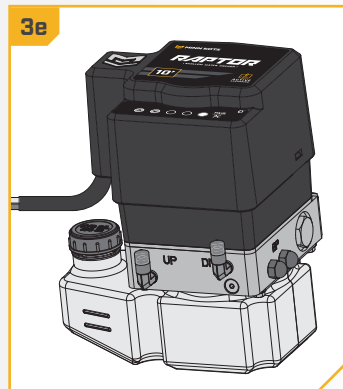
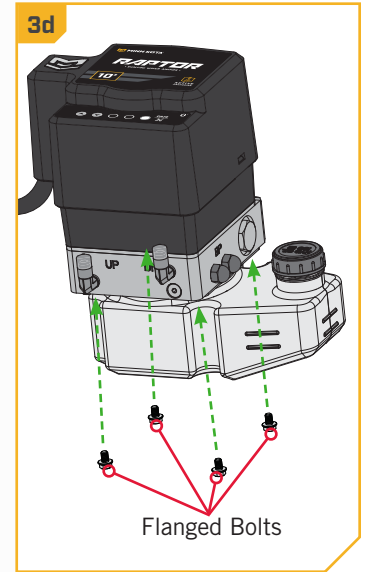
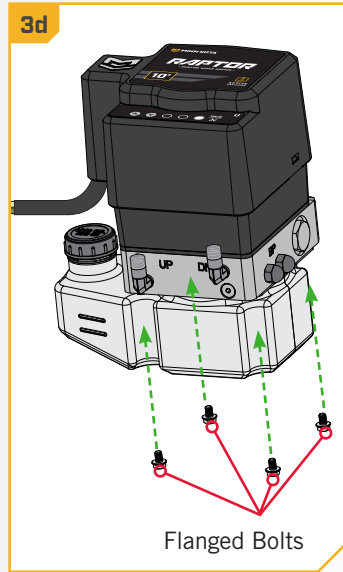
**NOTICE:** If the Pump Reservoir becomes detached from the Pump Assembly, make sure that the O-ring that sits on the bottom of the Pump Manifold is fully seated in the groove along the assembly. In the event that the reservoir needs to be pushed back in place on the Pump Assembly, make sure that the O-ring does not get pinched between the pieces. An improperly seated seal between components will affect pump operation.



## ROTATING THE PUMP RESERVOIR

3

- d. With the Pump Reservoir rotated and seated in place, use the 5/16" Deep Well Socket or 5/16" Ratchet-Style Wrench to replace the four Flanged Bolts. Tighten to 12 in-lbs.
- e. With the Flanged Bolts back in place, continue with the Hydraulic Pump installation.



# INSTALLING THE HYDRAULIC PUMP

## › Installing the Hydraulic Pump

Review the mounting considerations at the beginning of the installation. If it is necessary to rotate the Pump Assembly, refer to the "Rotate the Pump Assembly" section of these instructions. When ready to install the pump, follow the directions below.

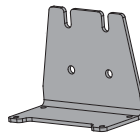
**NOTICE:** Installation for your Pump Assembly may vary from the standard installation. Review the mounting considerations for variations in mounting.

1

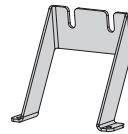
### ITEM(S) NEEDED



#D, E, or F x 1



#20 x 1



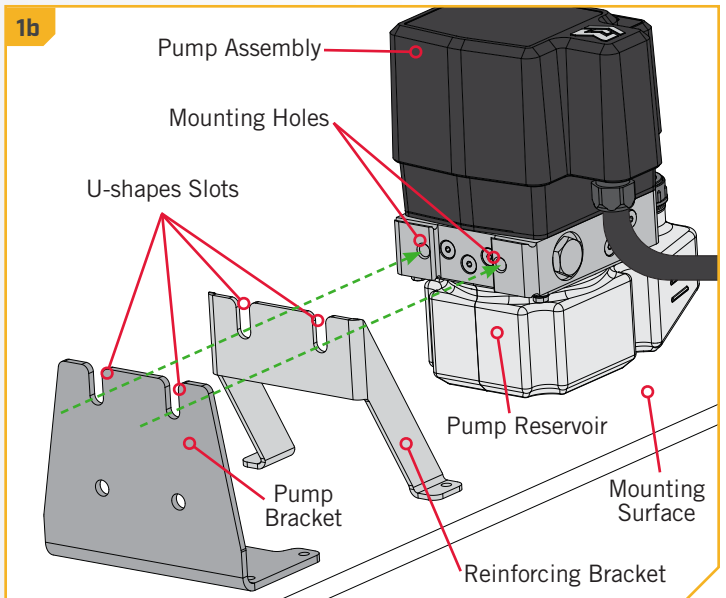
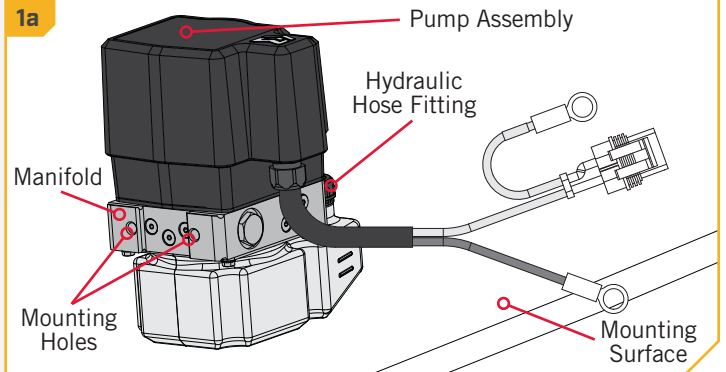
#22 x 1

## ⚠ CAUTION

Avoid the risk of electric shock. Do not connect the Pump Assembly to a power source before installation.

- Take the Pump Assembly (Assembly D, E, or F) and identify the two mounting holes on the Manifold. The mounting holes are on the opposite side of the pump from the brass colored Hydraulic Hose Fittings. Position the Pump Assembly at the intended mounting location. Review the mounting considerations and make sure the selected location is acceptable.
- The Two-piece Mounting Bracket consists of the Pump Bracket (Item #20) and the Reinforcing Bracket (Items #22). For a standard installation, the Reinforcing Bracket sits nested on top of the Pump Bracket with the U-shaped slots aligned. Take the Two-piece Mounting Bracket and align the U-shaped slots.
- Slide the Pump Bracket and Reinforcing Bracket together and then slide the Pump Assembly into the bracket. The angled sides of the Reinforcing Bracket fit along each side of the Pump Reservoir in a standard installation. Review the mounting considerations and position the Pump Assembly with the Two-piece Bracket in the intended mounting location.

**NOTICE:** If the Pump Reservoir is rotated for installation, it will not be possible to install the Reinforcing Bracket. The position of the Pump Bracket may vary for your installation based on conditions outlines in the mounting considerations.



**NOTICE:** The Pump Assembly must be mounted vertically. If adjustments to the mounting need to be made, rotate the position of the Two-piece bracket to accommodate the necessity to keep the pump vertical.



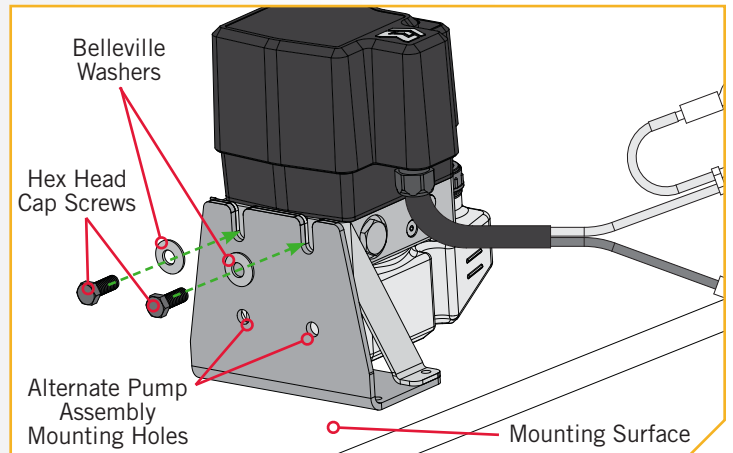
# INSTALLING THE HYDRAULIC PUMP

2

## ITEM(S) NEEDED



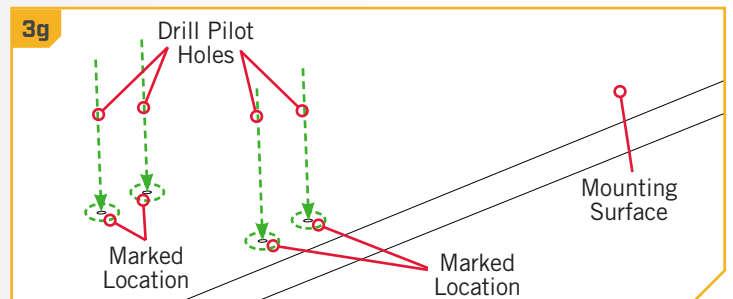
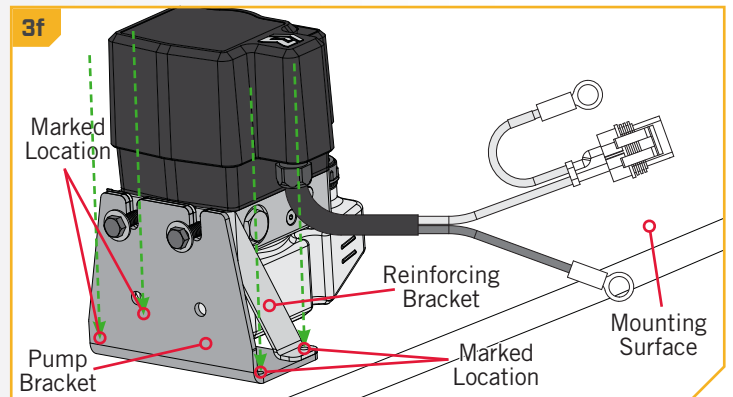
- d. The U-shaped Slots on the Mounting Bracket allow for adjustability between the Pump and the mounting bracket. Take both Hex Head Cap Screws (Item #16) and place one 3/8" Belleville Washer (Item #12) on each. The Hex Head Cap Screws will hold the Pump in place along the U-shaped slots. Insert the bolts with the washers in place so that they are partially installed into the Mounting Holes on the Pump. The washers should sit on the outside of the Mounting Bracket, farthest from the Pump Assembly, on the screws. Hand tighten or use a 9/16" Wrench just until the bolts are placed. It may be easier to first install the screws and washers partially and then lower the Pump Assembly to fit in the U-shaped slot on the brackets, making sure the washer is closest to the screw head.
- e. Once partially installed, check the mounting location and determine the final position of the Pump Assembly and mounting bracket at the intended mounting location.



**NOTICE:** The U-shaped slots and the larger holes on the Pump Bracket may be used to mount the Pump Assembly to the bracket. The holes used will depend on individual mounting circumstances.

3

- f. Once positioned, take a pen or similar marking tool and mark the Mounting Surface where the Reinforcing Bracket and Pump Bracket overlap at the Mounting Hole on each side of the Pump Reservoir. Also mark the bottom holes on the Pump Bracket. It is recommended to mark all four Mounting Holes in the Mounting Bracket.
- g. Set the Pump Assembly aside and use a Drill with a 1/8" Drill Bit to drill Mounting Holes in the Mounting Surface at the marked locations.



**NOTICE:** When drilling holes, especially into fiberglass, it is helpful to first cover the surface with masking tape. Use a 5/32" Drill Bit when drilling into Fiberglass for the Pilot Holes. Masking Tape will help keep the boat surface unmarked and help with cleanup. Cover the surface and then mark the location to drill. Once the pilot holes are drilled, remove the masking tape before continuing installation.

# INSTALLING THE HYDRAULIC PUMP

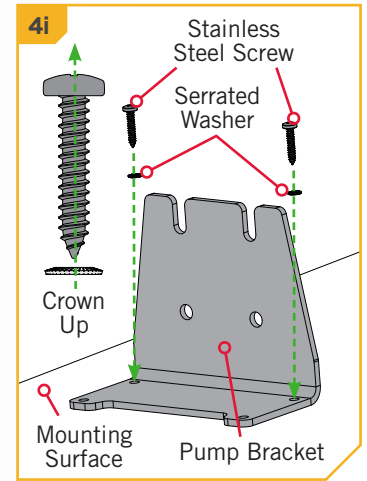
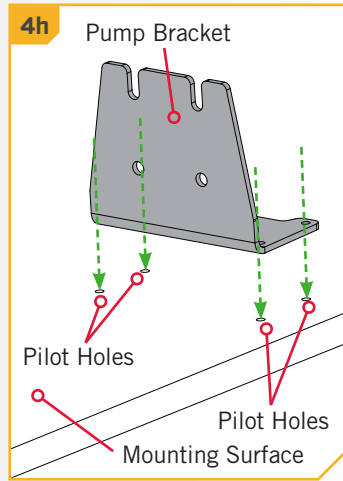
4

## ITEM(S) NEEDED

○ #14 X 2

🔩 #18 X 2

- h. Replace the Pump Bracket only and align the Mounting Holes with the Pilot Holes.
- i. Take two 1" Stainless Steel Screws (Item #18) and two Serrated Washers (Item #14). Place one washer on the end of each screw so that the crown of the washer is facing up towards the head of the screw. Install the Screws with drill and a #2 Phillips Bit. The screws should pass through the Serrated Washer and Pump Bracket and then into the Mounting Surface.



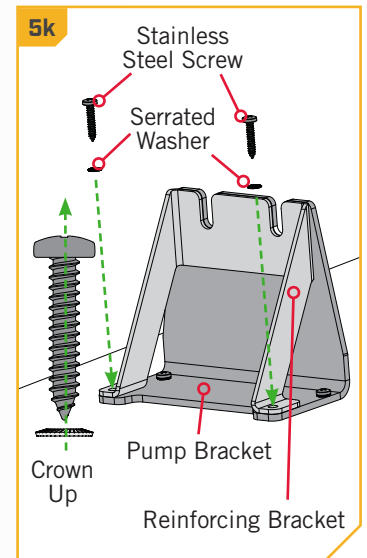
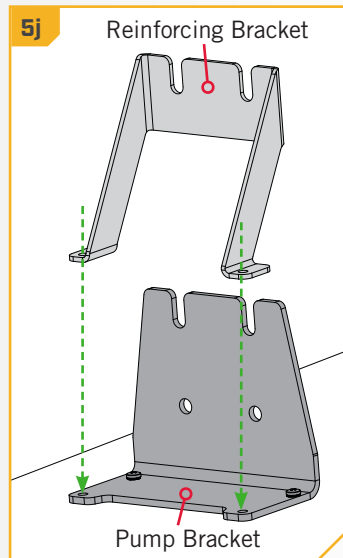
5

## ITEM(S) NEEDED

○ #14 X 2

🔩 #18 X 2

- j. With the two Screws installed, replace the Reinforcing Bracket onto the Pump Bracket so that the mounting holes are again aligned.
- k. Take the two remaining 1" Stainless Steel Screws (Item #18) and two Serrated Washers (Item #14). Place one washer on the end of each screw so that the crown of the washer is facing up towards the head of the screw. Install the Screws with a Drill and a #2 Phillips Bit in the overlapping holes of the Two-Piece Mounting Bracket. The Screws should pass through the Serrated Washer, Reinforcing Bracket and Pump Bracket and into the Mounting Surface.



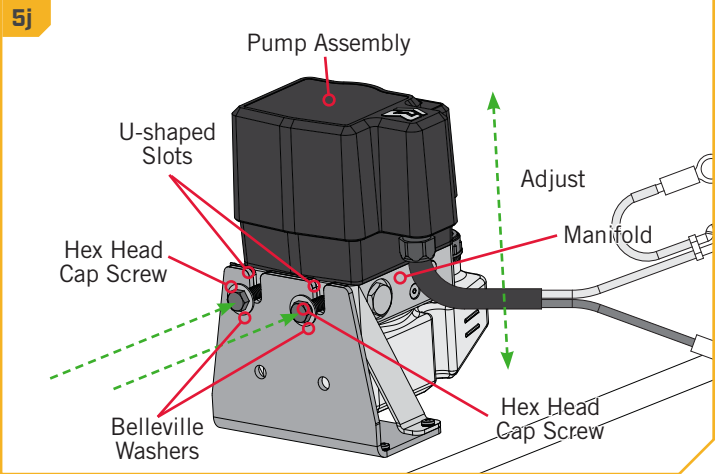
**NOTICE:** If the Pump Reservoir is rotated for installation, it will not be possible to install the Reinforcing Bracket. To complete installation, it is recommended to use all four Stainless Steel Screws and Serrated Washers to secure the Pump Bracket to the Mounting Surface.

## INSTALLING THE HYDRAULIC PUMP

6

- i. With the Two-Piece Mounting Bracket fully installed, replace the Pump Assembly on the Mounting Bracket. Make sure that the Belleville Washers sit between the head of the screw and the Mounting Bracket. The Pump Assembly is secured to the mounting bracket by tightening the Hex Head Cap Screws that were previously put in place on the Manifold.
- m. Slide the Pump Assembly either up or down in the U-shaped slots to find the position that works best for your installation. When satisfied with the position, tighten the hardware with a 9/16" Wrench to 12 ft-lbs.

**NOTICE:** When direct-mounting the Pump Assembly, only the two Hex Head Cap Screws are used for installation. If direct mounting the Pump Assembly, use a Drill with a 7/16" Drill Bit to drill Pilot Holes in the Mounting Location. Secure the Pump Assembly in place by placing a Belleville Washer on each screw. Then place the screw through the mounting surface and into the mounting holes on the Manifold of the Pump Assembly.



7

### ITEM(S) NEEDED



#26 X 1

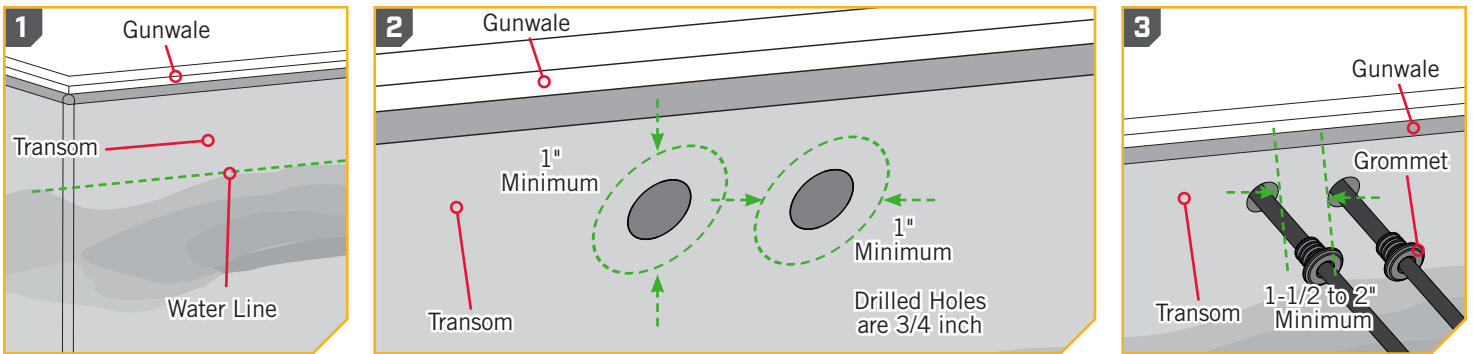
- n. Take the Pressure Wrench (Item #26) and store it in a secure location on the boat. The Pressure Wrench is only needed if pressure in the hydraulic system needs to be manually relieved. To learn more, please refer to the Owner's Manual.

# INSTALLING HYDRAULIC HOSES

## › Installing Hydraulic Hoses

Review the Mounting Considerations at the beginning of installation and then locate the Hydraulic Hoses attached to the Raptor. There will be a green Cap on one hose, designated as the hose controlling the UP/retract function. The hose with the black cap is designated for the DOWN/deploy function. The hose with the black cap (DOWN) extends further from the Raptor due to its mounting position within the Raptor. **Determine if hydraulic hoses may be routed through an established route on the boat to the Hydraulic Pump.** The Hydraulic Hoses are 15 feet in length. If longer hoses are needed for your installation, Minn Kota recommends the Raptor Hydraulic Hose Extension Kit 2771401. If holes need to be drilled to provide a suitable routing for the installation location of the connected components, please give consideration to the following:

- 1. Above Water Line** - If drilling holes to route the Hydraulic Hoses through the Hull, Transom, or other appropriate structure of the boat, make sure that the holes drilled are above the water line when the boat sits in water.
- 2. Minimum Clearance** - It is recommended to place the holes a minimum of 1 inch from any obstruction to allow for complete installation of the Grommet. This may include structural changes to the selected location such as seams or structural supports and the presence of any existing hardware such as ladders, brackets and existing accessories.
- 3. Hole Spacing** - Two separate holes will need to be drilled for the Hydraulic Hoses. There is a rubber Grommet on each hose. The intention is to use the Grommet to cover the space between the hose and the transom where the holes are drilled. To allow space for the hoses and a proper seal on the Grommet, drill the holes between 1-1/2 and 2 inches apart.



## WARNING

- Only use hydraulic hose approved by Johnson Outdoors with the Raptor. The use of unapproved hydraulic components may cause damage, unexpected operation, or injury.
- Do not allow hoses to kink, twist, curl, be crushed or bent in a manner that blocks or reduces the flow of fluid within the hose. The minimum bend radius for the hydraulic hoses is 1.25 inches.
- Do not overtighten hydraulic connections.

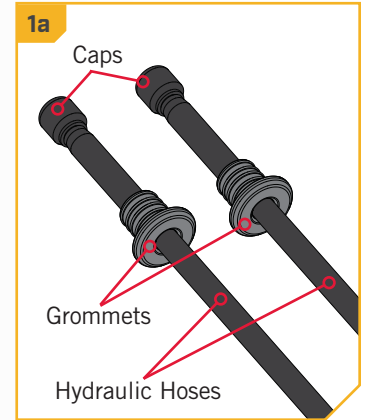
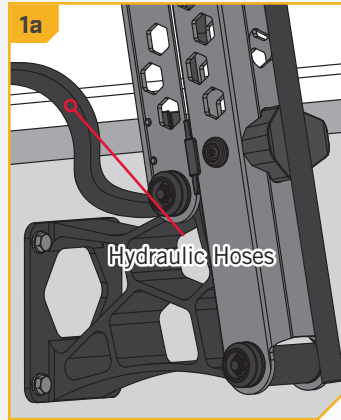
# INSTALLING HYDRAULIC HOSES

1

- a. Locate the Hydraulic Hoses that exit the Raptor, and note the Grommet on each hose. If the Hydraulic Hoses are tie wrapped in a circle, it may be necessary to carefully cut the tie wrap with a scissors or similar cutting tool and unwrap the hoses. There will be a green Cap on one hose, designated as the hose controlling the UP/retract function. The hose with the black cap is designated for the DOWN/deploy function.

## CAUTION

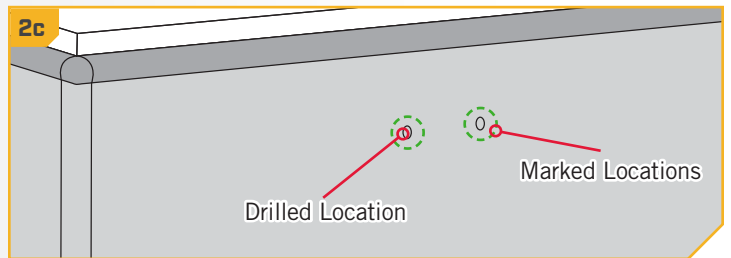
Do not remove the black and green Caps from the end of the Hydraulic Hoses until instructed to do so. Keeping the Caps in place until needed will keep the hydraulic lines clean. Dirt in the hydraulic fluid may affect hydraulic operation.



**NOTICE:** If routing the Hydraulic Hose through an established routing system on the boat, the Grommets may be removed.

2

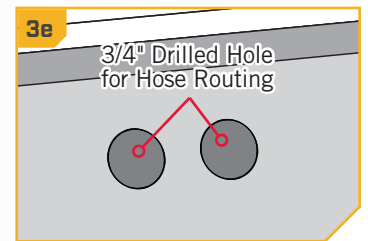
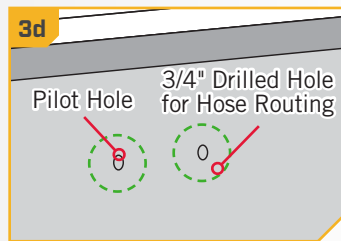
- b. Review the installation considerations for the hoses at the beginning of this section. Select, measure and mark the location on the boat that will be drilled for routing the Hydraulic Hoses using a measuring tool and a pen or similar marking tool.
- c. Make sure that the drilled location is clear to drill holes and pull the Hydraulic Hoses aside so they do not pose an obstruction and to clear the marked location. Using a Drill with a 5/16" Drill Bit, drill Pilot Holes through the Marked Locations.



**NOTICE:** When drilling holes into fiberglass, it is helpful to first cover the surface with masking tape. Use a 5/16" Drill Bit when drilling into Fiberglass for the Pilot Holes. Masking Tape will help keep the boat surface unmarked and help with cleanup. Cover the surface and then mark the location to drill. Once the pilot holes are drilled, remove the masking tape before continuing installation.

3

- d. Once the Pilot Holes are drilled, use a Drill with a 3/4" Drill Bit in each 5/16" Pilot Hole. The final holes for hose routing should have a diameter of 3/4" each.
- e. Use a file, sand paper or an emery board to smooth the edge of the drilled hole, to smooth the edges, that contact the Hydraulic Hoses and make placement of the Grommets easier.



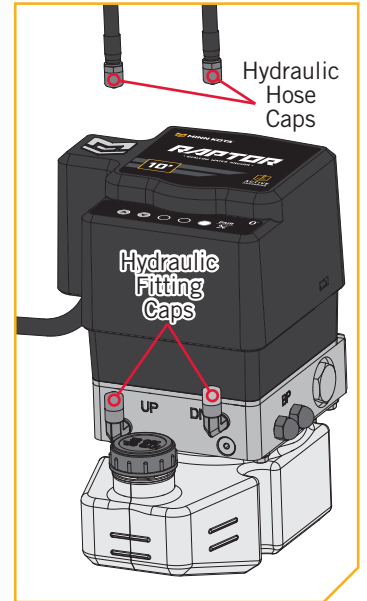
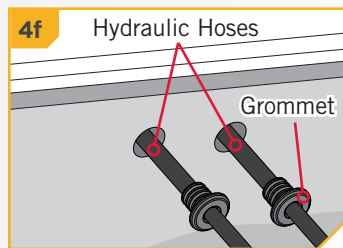
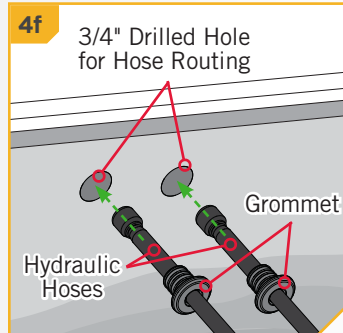
# INSTALLING HYDRAULIC HOSES

4

- f. Take the Hydraulic Hoses with the green and black Caps still in place and insert one hose into each drilled hole. If necessary, slide the Grommets back so that the Hydraulic Hose has enough slack on the other side of the drilled location to reach the Pump Assembly.
- g. Route most of length of the Hydraulic Hoses into the hull so that each hose can be attached to the Hydraulic Hose Fittings on the Pump Assembly. While pulling the hoses thru the hull make sure that the hoses do not kink. Most of the hose should be routed into the boat, but leave slack outside the hull for the anchor to deploy and not pull the hose, but not excessive slack that it would cause the hoses to kink. Then return to the Hydraulic Hoses and Grommets at the Drilled Location.

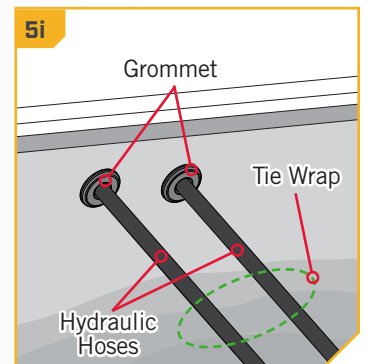
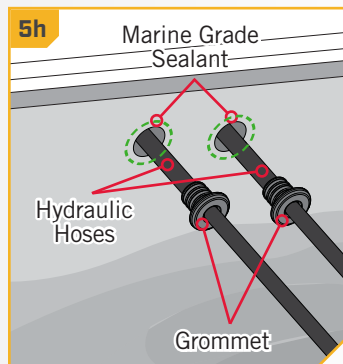
## ⚠ CAUTION

Avoid the risk of electric shock. Do not connect the Pump Assembly to a power source when installing hoses.



5

- h. With the hoses routed to the Pump Assembly, the Mounting surface should be sealed. To seal the space around the grommet and finish installing it, first apply 1/8" bead of marine grade sealant around each Drilled Hole. The sealant should be reasonably close to the edge of the hole so that it will sit under the edge of the Grommet when pressed in place.
- i. Once the sealant is applied, press the Grommets in place so they are seated against the mounting surface. When the hose routing is complete, it is recommended to loosely secure the Hydraulic Hoses together with a tie wrap between the anchor and the main entrance point on the boat to keep the hose routing clean.



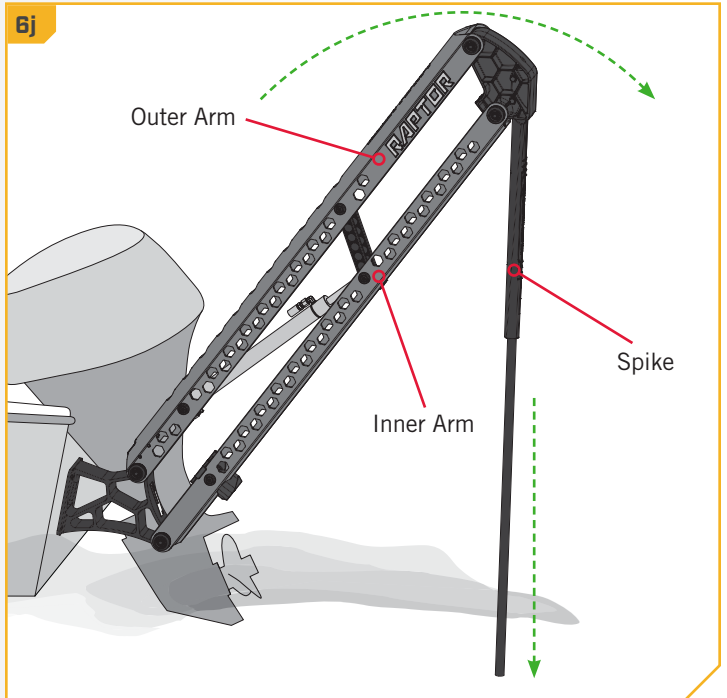
## INSTALLING HYDRAULIC HOSES

6

- j. With the Hydraulic Hoses and Grommets installed, use a second person to carefully lower the Raptor so that the Spike is resting on the ground. Watch for pinch points when lowering the anchor and make sure that the anchor is clear from obstructions or persons before lowering it to the ground.

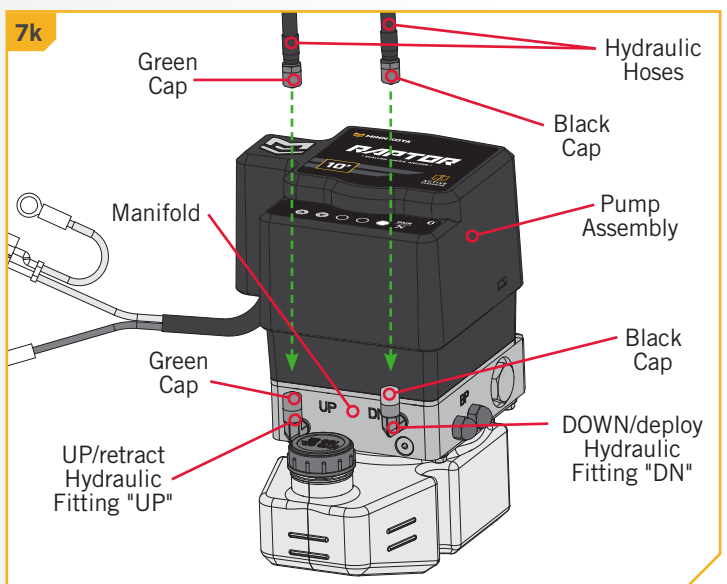
### **CAUTION**

Be sure that the Raptor is clear of obstructions and persons while deploying or retracting. The spaces between the Outer Arm, Inner Arm, Spike and brackets of the Raptor can create a pinch point. Do not come in contact with an area of the Raptor that may cause a pinch point while it is moving in any direction to avoid the risk.



7

- k. Return to the routed hoses and the Hydraulic Fittings on the Pump Assembly. The Hydraulic Fitting with the green Cap on the Manifold will correspond to the UP/retract function. It will be marked on the Manifold with "UP". The Hydraulic Fitting with the black Cap on the Manifold will correspond to the DOWN/deploy function. The Hydraulic Fitting will be marked on the Manifold with "DN". The Hydraulic Hose with the green Cap will be matched to the Hydraulic Fitting with the green Cap. The Hydraulic Hose with the black Cap will be matched to the Hydraulic Fitting with the black Cap.



### **CAUTION**

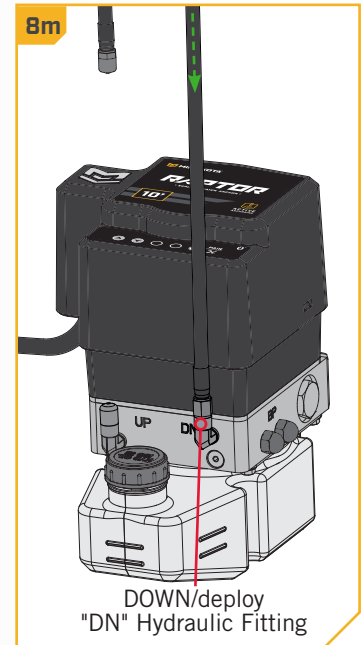
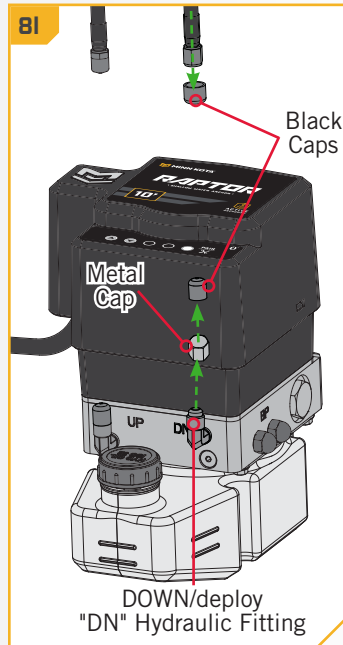
Make sure that the Raptor anchor is deployed and the Spike is touching the ground if hydraulic pressure is not present. This includes before the Pump Assembly is filled with hydraulic fluid and any time changes to the Hydraulic Circuit are made. Changes to the Hydraulic Circuit may include adjustments to the Hydraulic Hoses, or adjustments to the bypass valves. Changes to pressure in the Hydraulic Circuit may cause the Raptor to fall and pose a striking hazard due to gravity. Rest the Spike on the ground to avoid this hazard.

# INSTALLING HYDRAULIC HOSES

8

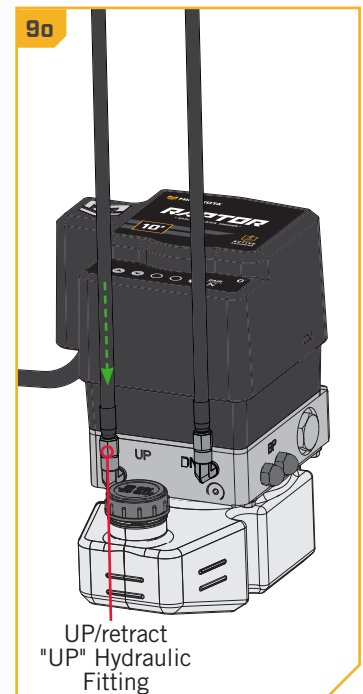
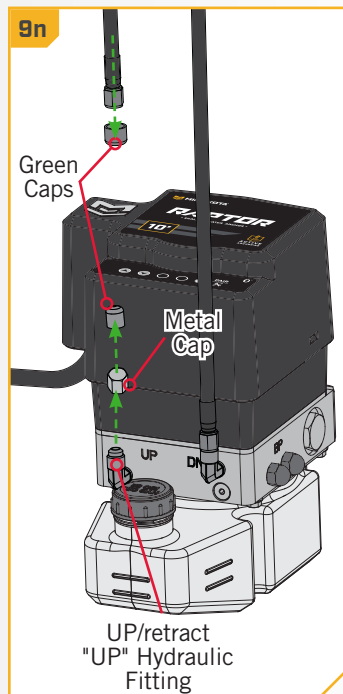
- l. Remove the black Cap on the Hydraulic Hose and the black Cap on the "DN" Hydraulic Fitting. The Hydraulic Hose with the black Cap will be the longer of the two hoses that come from the Raptor. Under the black Cap on the "DN" Hydraulic Fitting is a Metal Cap sealing the fitting. Using a 9/16" Wrench remove the Metal Cap, turning in a counterclockwise direction.
- m. Attach the Hydraulic Hose to the "DN" Hydraulic Fitting, by turning the threaded connection on the Hydraulic Hose onto the Hydraulic Fitting on the pump by turning 5 to 7 times by hand. If the threads are not freely turning, the threads are misaligned. Lift off and try again. Hand-tighten in a clockwise direction until seated. Then finish tightening with a 9/16" Wrench to 120 in-lbs.

**NOTICE:** Do not apply anything to the ends of the Hydraulic Hoses or the Hydraulic Fittings on the pump.



9

- n. Remove the green Cap on the Hydraulic Hose and the green Cap on the "UP" Hydraulic Fitting. The Hydraulic Hose with the green Cap will be the one that has the shorter extension from the Raptor. Under the green Cap on the "UP" Hydraulic Fitting is a Metal Cap sealing the fitting. Using a 9/16" Wrench remove the Metal Cap, turning in a counterclockwise direction.
- o. Attach the Hydraulic Hose to the "UP" Hydraulic Fitting, by turning the threaded connection on the Hydraulic Hose onto the Hydraulic Fitting on the pump by turning 5 to 7 times by hand. If the threads are not freely turning, the threads are misaligned. Lift off and try again. Hand-tighten in a clockwise direction until seated. Then finish tightening with a 9/16" Wrench.





# INSTALLING THE REMOTE BRACKET

## 1 Installing the Remote Bracket

The Raptor comes with a remote. Mounting the Remote Bracket to your boat is an optional installation. The Remote Bracket is only intended to hold one remote. Mounting the Remote Bracket in the boat is based on personal preference. It is recommended to mount the Remote Bracket to a flat surface where the remote can be easily accessed for anchor control. Avoid a space where the buttons on the remote may be accidentally actuated. To mount the bracket, follow the steps below:

1

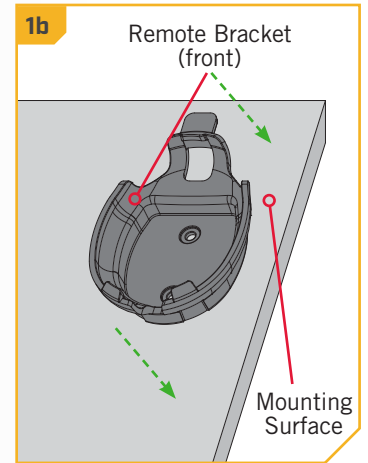
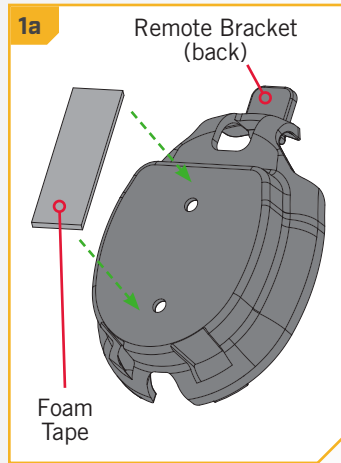
### ITEM(S) NEEDED

 #32 X 1



#30 X 1

- Select a flat mounting location for the Remote Bracket. Check the location for fit and function of the Bracket Holder. Clean and thoroughly dry the mounting surface. Once satisfied with the location, take the Foam Tape (Item #32) and pull the backing off of one side of it. Install the Foam Tape with the exposed adhesive facing toward bracket, approximately centered on the back of the Remote Bracket (Item #30). Press and hold in place for 30 seconds.
- Remove the backing on the outside of the Foam Tape to expose the adhesive. Place the Bracket Holder to the mounting location. Firmly press and hold for 30 seconds.



2

### ITEM(S) NEEDED

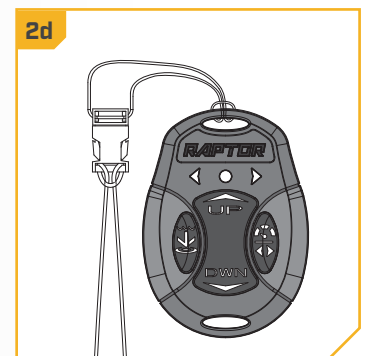
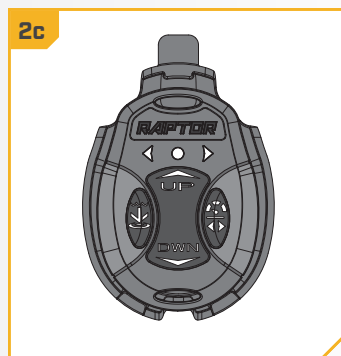
 #28 X 1



#G X 1

- Take the Raptor remote (Assembly G) and place it in the Bracket Holder.
- It is also optional to place the Lanyard (Item #28) on the Raptor remote.

**NOTICE:** The Raptor remote that comes with the Raptor from the factory is pre-paired. If the network connection between the remote and the anchor is interrupted, please see "Pairing the Raptor" section of these instructions.



# BATTERY & WIRING INSTALLATION

## BOAT RIGGING & PRODUCT INSTALLATION

For safety and compliance reasons, we recommend that you follow American Boat and Yacht Council (ABYC) standards when rigging your boat. Altering boat wiring should be completed by a qualified marine technician. The following specifications are for general guidelines only.

### CAUTION

Please read the following information before connecting your Raptor(s) to your battery in order to avoid damaging your product and/or voiding your warranty.

### CAUTION

These guidelines apply to general rigging to support your Minn Kota product. Powering multiple Raptors or additional electrical devices from the same power circuit may impact the recommended conductor gauge and circuit breaker size. If you are using wire longer than that provided with your unit, follow the conductor gauge and circuit breaker sizing table below. If your wire extension length is more than 25 feet, we recommend that you contact a qualified marine technician.

### CAUTION

**An over-current protection device (circuit breaker or fuse) must be used.** Coast Guard requirements dictate that each ungrounded current-carrying conductor must be protected by a manually reset, trip-free circuit breaker or fuse. The type (voltage and current rating) of the fuse or circuit breaker must be sized accordingly. The table below gives recommended guidelines for circuit breaker sizing.

## CONDUCTOR GAUGE AND CIRCUIT BREAKER SIZING TABLE

This conductor and circuit breaker sizing table is only valid for the following assumptions:

1. No more than 2 conductors are bundled together inside of a sheath or conduit outside of engine spaces.
2. Each conductor has 105° C temp rated insulation.
3. No more than 5% voltage drop allowed at full power based on published product power requirements.

Max Amp Draw	Circuit Breaker	Wire Extension Length				
		5 feet	10 feet	15 feet	20 feet	25 feet
70 Amps	30 Amp @ 12 VDC	10 AWG	8 AWG	6 AWG	4 AWG	4 AWG

**NOTICE:** Wire Extension Length refers to the distance from the batteries to the Raptor leads. Maximum Amp Draw values only occur intermittently during select conditions and should not be used as continuous amp load ratings.

Reference

United States Code of Federal Regulations: 33 CFR 183 – Boats and Associated Equipment ABYC E-11: AC and DC Electrical Systems on Boats

# SELECTING THE CORRECT BATTERIES

## SELECTING THE CORRECT BATTERIES

The Raptor will operate with any lead acid, marine 12 volt battery. For best results, Minn Kota recommends connecting to the starting battery. The Raptor may operate with a Lithium Ion battery. Maintain battery at full charge. Proper care will ensure having battery power when you need it, and will significantly improve the battery life. Failure to recharge lead-acid batteries (within 12-24 hours) is the leading cause of premature battery failure. Use a multi-stage charger to avoid overcharging. We offer a wide selection of chargers to fit your charging needs. For more information on battery selection and rigging, please visit [minnkotamotors.com](http://minnkotamotors.com).

The Raptor draws a small amount of residual current from the battery even when not in use. If the Raptor will not be used for more than a month, the Raptor power leads should be disconnected from the battery. Avoid connecting the Raptor to the same batteries that a trolling motor or other accessories are connected to. It is recommended the Raptor be connected to the Starting Battery through a battery selector or power disconnect switch. This will disconnect power to the Raptor when the Power Switch is "off". If you are not using a battery selector/power disconnect switch, the Raptor may be connected directly to the Starting Battery.

### **WARNING**

Never connect the (+) and the (-) terminals of the same battery together. Take care that no metal object can fall onto the battery and short the terminals. This would immediately lead to a short and extreme fire danger.

For proper ABYC compliance, when the factory fuse has been removed, the user must install a 30A fuse within 7" of the positive battery terminal.

**NOTICE:** The in-line re-settable 30A fuse is designed to protect the system. If this fuse repeatedly trips, faulty wiring could be the cause and must be corrected. If the re-settable fuse itself is suspect, Minn Kota recommends contacting customer service for a proper replacement.

## CONNECTING THE BATTERIES

### › 12 Volt Systems

1. If connecting to an optional battery selector/power disconnect switch, turn it to the "off" position prior to connecting the power cable.
2. Connect positive (+) white lead to positive (+) battery terminal, or switch positive.
3. Connect negative (-) black lead to negative (-) battery terminal, or switch negative.

### **WARNING**

Observe proper polarity and follow instructions in your boat owner's manual regarding polarity.

4. The Pump Assembly will beep to indicate Power "on". There is NO "on/off" switch. To remove power from the Pump Assembly, the Raptor must be powered "off" by removing the leads from the battery terminals, or switch.

### **WARNING**

Do not run the Hydraulic Pump until after hydraulic fluid has been added. Running the Hydraulic Pump without hydraulic fluid can damage the pump.

## CONNECTING THE BATTERIES



### **WARNING**

- The Raptor draws a small amount of residual current from the battery even when not in use. If the Raptor is not be used for more than a month, or while the battery/batteries are being charged, the Raptor power leads should be disconnected from the battery. It is recommended the Raptor be connected to the Starting Battery through a battery selector or power disconnect switch. This will disconnect power to the Raptor when the Power Switch is "off". If you are not using a battery selector/switch, the Raptor may be connected directly to the starting battery.
- Keep lead wire connections tight and solid to the battery or switch terminals.
- The Starting Battery should be located in a ventilated compartment to avoid sparks from combustible materials.

### **WARNING**

Never disconnect hydraulic components while power is applied and bypass valves are not open.

# COMPLETING INSTALLATION

## COMPLETING THE RAPTOR INSTALLATION

At this point in the installation, the Raptor anchor and Pump Assembly have been successfully mounted to the boat and connected to a power source. The Hydraulic Hoses have also been routed and connected to the Pump Assembly. Since the motion of the anchor is also controlled by the use of hydraulics, to complete the installation, the Pump Assembly needs to be filled with hydraulic fluid and go through a deploy/retract sequence to bleed the hydraulic lines. The final steps in installation will include confirming the Bluetooth connection between the remotes that come paired with the anchor from the factory and the Pump Assembly. Before using the Raptor for its intended purpose, confirm that the installation of the components is complete and then finalize the installation for successful operation.

### **CAUTION**

Because of the mechanical pressure from the use of hydraulics, avoid injury by making sure the mechanical installation of the Raptor anchor and Pump Assembly is complete before finalizing the installation. Hydraulic pressure from unsecured components may cause unexpected operation and movement of components.

### COMPLETING THE INSTALLATION >

## > Filling the Pump with Hydraulic Fluid and Bleeding the Hydraulic Lines

In order to complete the installation, the Pump Assembly needs to be connected to a power source. If the Pump is not connected to a power source, review the "Battery & Wiring Installation" section of these instructions.

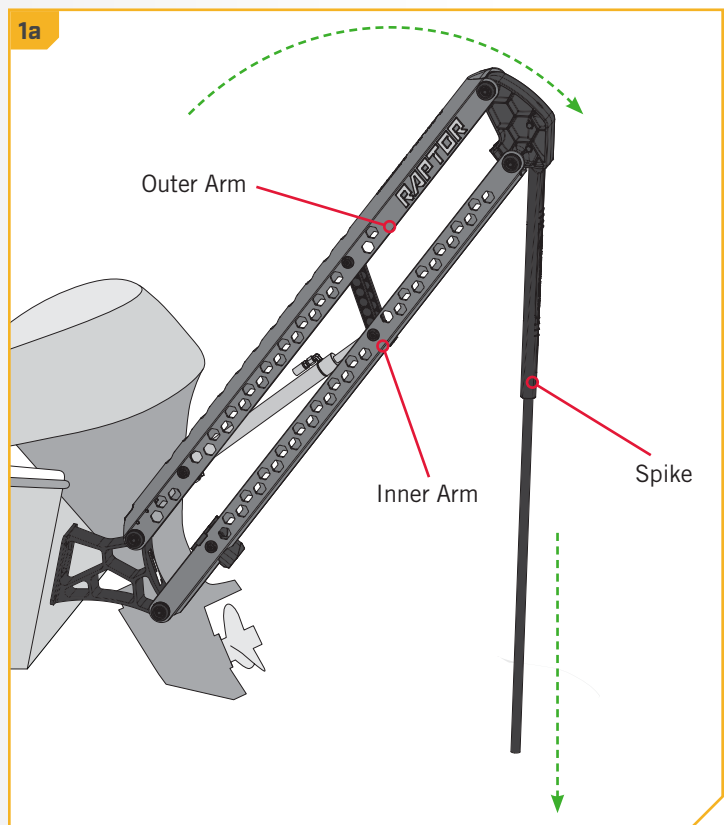
- 1 a. The Raptor anchor should be extended so that the Spike is resting on the ground. If the Spike is not resting on the ground from the previous installation steps, carefully lower the anchor with the help of a second person. Watch for pinch points when manually moving the Raptor.

### **CAUTION**

Be sure that the Raptor is clear of obstructions and persons while deploying or retracting. The spaces between the Outer Arm, Inner Arm, Spike and brackets of the Raptor can create a pinch point. Do not come in contact with an area of the Raptor that may cause a pinch point while it is moving in any direction to avoid the risk. Stay clear of the anchor if it is not held in place under the power of the Hydraulic Circuit or physical restraint. Not lowering the Spike before filling the Hydraulic Circuit and bleeding the hydraulic lines can result in a striking hazard created by the force of gravity on an unsecured anchor. Lower the Spike to avoid the risk.

### **WARNING**

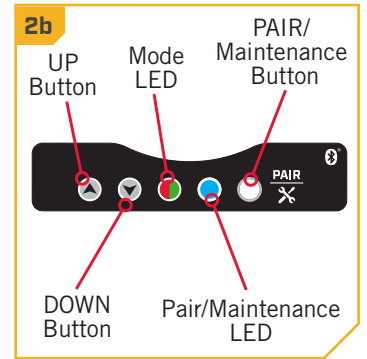
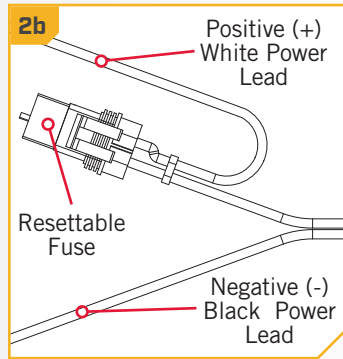
Do not run the Hydraulic Pump until after hydraulic fluid has been added. Running the Hydraulic Pump without hydraulic fluid can damage the pump.



# FILLING THE PUMP WITH HYDRAULIC FLUID AND BLEEDING THE HYDRAULIC LINES

2

- b. When the Pump Assembly was attached to a power source, it beeped to indicate Power "on". To test that there is power to the Pump Assembly, remove the Resettable Fuse from the positive (+) white power lead and re-insert it. When Power is restored, the LED's will flash in a series and then the pump will beep. The Mode LED will flash red ● at the same time as the Pair/Maintenance LED flashes blue ●. Then the LEDs will shut off and the Mode LED will flash green ●. When the Mode LED turns off, the pump will beep to confirm that power is restored. The Pump Assembly is ready to be filled with Hydraulic Fluid.



## ⚠ CAUTION

The Pump Assembly is connected to a power source during this step of the installation. Review the "Battery & Wiring Installation" section of these instructions to become familiar with the risks involved in working with electrical currents.

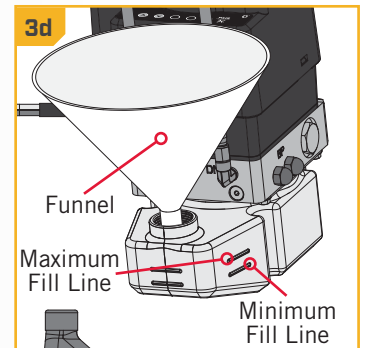
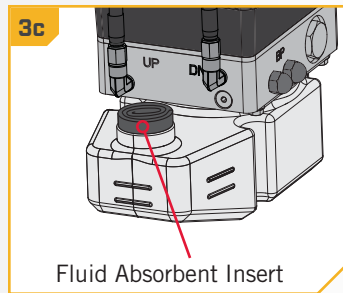
3

### ITEM(S) NEEDED



#24 X 1

- c. Remove the Fluid Absorbent Insert sealing the Pump Assembly by pulling it out. Remove the Insert completely and discard it.
- d. Place a clean Funnel or similar tool onto the Reservoir. Notice the maximum and minimum fill lines on the Reservoir. The Raptor Pump Reservoir is designed to hold 1 quart of Hydraulic Fluid. Take the Biodegradable Marine Hydraulic Fluid ISO 32 (Item #24) and fill the Reservoir with at least half of the quart until the Reservoir is filled to the Maximum Fill Line.



**NOTICE:** Raptor is 100% quality and performance tested with hydraulic fluid. Discard residual fluid absorbent insert. For shipping purposes only.



Biodegradable Marine Hydraulic Fluid ISO 32

## ⚠ CAUTION

Biodegradable Marine Hydraulic Fluid ISO 32

**First Aid:** Keep out of reach of children - do not induce vomiting

**Eye Contact:** Flush affected eyes with water for at least 15 minutes.

**Skin Contact:** Wash any exposed skin portion thoroughly with soap and water.

**NOTICE:** Minn Kota recommends using Biodegradable Marine Hydraulic Fluid ISO 32 (Part #2357700.) If additional Hydraulic Fluid is needed, order online at [minnkotamotors.com](http://minnkotamotors.com) or find an equivalent ISO 32 biodegradable marine grade hydraulic fluid.

# FILLING THE PUMP WITH HYDRAULIC FLUID AND BLEEDING THE HYDRAULIC LINES

## 4

### ITEM(S) NEEDED



- e. Take the Reservoir Cap (Item #38) and place it on the Pump Reservoir. Close to finger tight by turning the Reservoir Cap clockwise.
- f. Use the Up ▲ and Down ▼ Buttons on the Hydraulic Pump to cycle through the retract (up) and deploy (down) sequence. After one to two deploy and retract cycles, check the Reservoir to make sure that the Hydraulic Fluid is not below the Minimum Fluid Line.

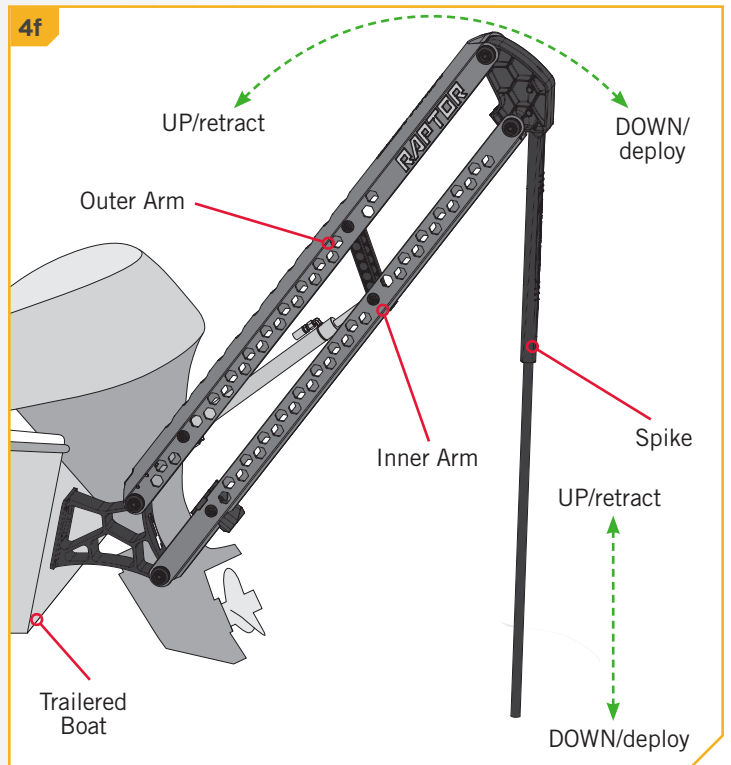
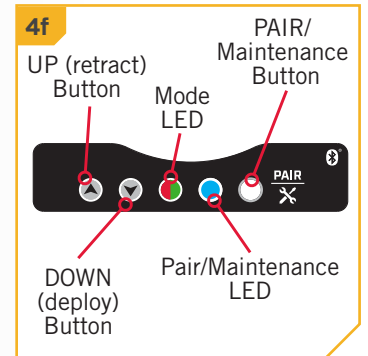
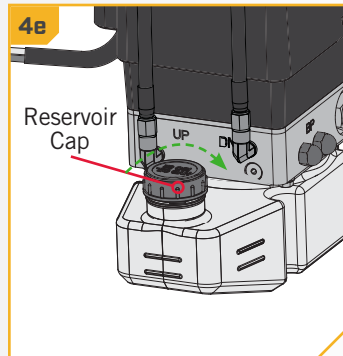
**NOTICE:** If the Reservoir Cap (Part #2350200) becomes lost or dirty, order a new one online at [minnkotamotors.com](http://minnkotamotors.com).

**NOTICE:** During the first few cycles it is normal for the anchor to have little movement when the Up and Down Buttons are pressed. The Hydraulic Lines and Cylinder must fill with Hydraulic Fluid before normal, smooth movements will take place.

## WARNING

Take care that neither you nor other persons approach the Raptor Spike too closely while operating, neither with body parts nor with objects. The Raptor is powerful and may endanger or injure you or others. While the Raptor is operating, watch out for persons and obstructions while controlling the Raptor.

- g. If the Hydraulic Fluid is below the minimum, add more, by following the procedure above. Then cycle the Raptor through a minimum of ten deploy and retract cycles.
- h. Once ten cycles are completed, return to filling the Reservoir. If the Hydraulic Fluid is below the minimum, add more, by following the procedure above. Repeat five more retract and deploy cycles. Finish with the Raptor in the fully retracted state.



# FILLING THE PUMP WITH HYDRAULIC FLUID AND BLEEDING THE HYDRAULIC LINES

5

- i. Before normal use of the Raptor, trailer the boat to a body of water. Unload the boat into the water and drive it to water that is no less than the depth of your anchor or a minimum of 10 feet. It is recommended to go into no less than 10 feet of water to ensure that the anchor is able to actuate in its full range of motion to bleed Hydraulic Fluid through the circuit and remove any air present.

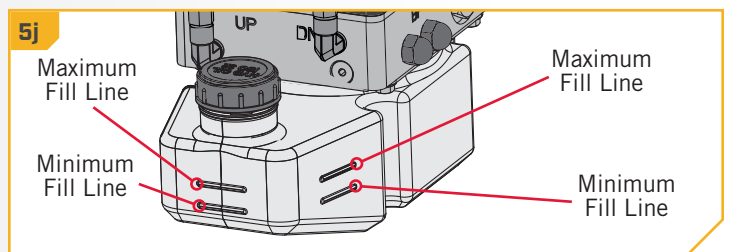
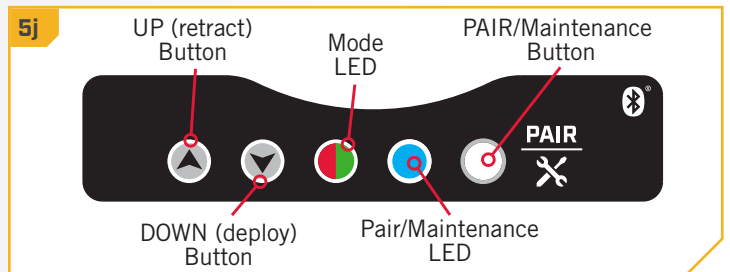
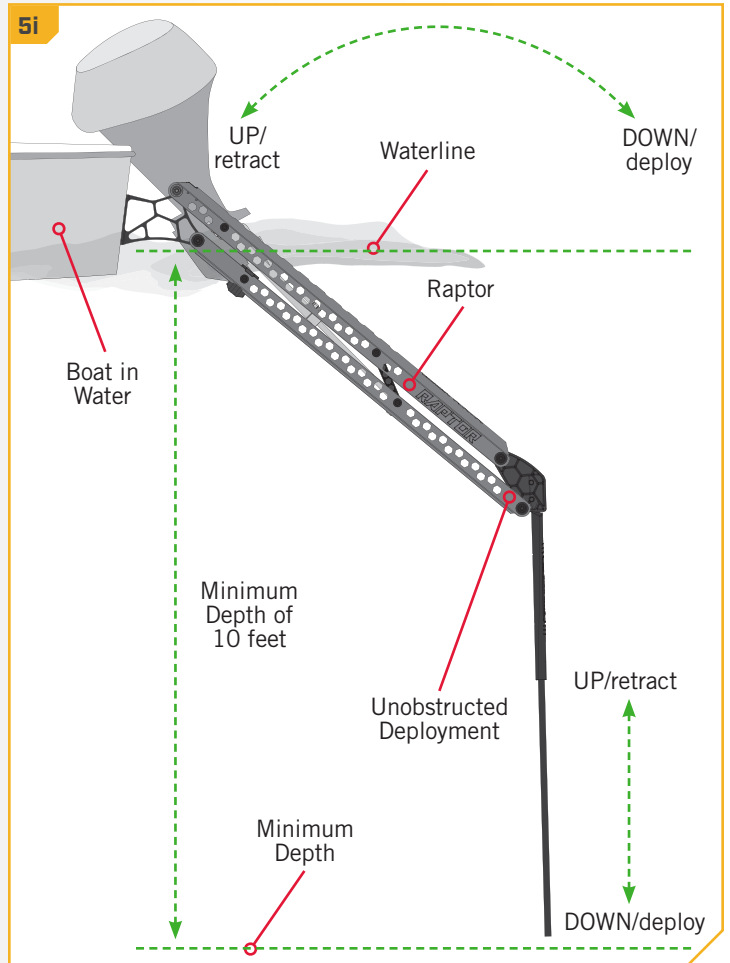
## CAUTION

To successfully complete the installation and clear air from the Hydraulic Circuit, it is necessary to purge the circuit of air. Failure to purge the Hydraulic Circuit may result in unexpected anchor operation. Purging the Hydraulic Circuit requires the anchor to fully retract and deploy. Complete the on-water deploy and retract sequences to fully purge the lines.

- j. Actuate the pump to its full length of travel using the Up ▲ and Down ▼ Buttons on the Hydraulic Pump to cycle through the deploy (down) and retract (up) sequence. Repeat the cycle ten times. Finish with the Raptor in the retracted state. Once complete, the Hydraulic Circuit is ready for normal use.
- k. The Raptor should be in the retracted state and the Hydraulic lines should be fully purged. Double check the reservoir to make sure that the Hydraulic Fluid is filled to the Maximum Fill Line. After filling the reservoir, if there is Hydraulic Fluid left, retain it for future maintenance. Periodically check the Hydraulic Fluid level in the future to make sure that it is adequate.

**NOTICE:** The Maximum Fill Line and the Minimum Fill Line are located on three sides of the Reservoir so that checking the Hydraulic Fluid level is easily identifiable regardless of Reservoir orientation.

**NOTICE:** After the Hydraulic Pump has been bled, review the hose routing to make sure it is clean and secure it in place with ties. Review the "Secure the Hydraulic Hoses" section of the manual for details.





## › Securing the Hydraulic Hoses

Once the Hydraulic Pump has been bled, the Hydraulic Hoses should be set for their final hose routings. It is important to secure hoses to ensure that the hose routings remain clean and maintained for safe operation. Minn Kota recommends securing the Hydraulic Hoses with tie wraps along the hose routings.

### **WARNING**

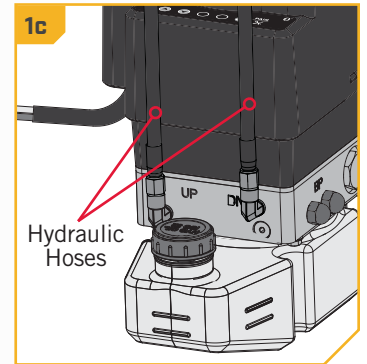
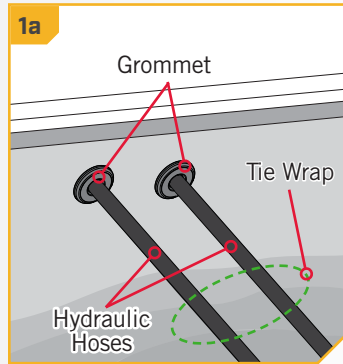
- Periodically inspect hoses for signs of wear or damage. Operation of the Raptor system with a worn or damaged hydraulic hose may cause damage, unexpected operation or injury.
- In the event a hydraulic hose ruptures, bursts or becomes disconnected during operation, immediately shut off power at the pump assembly and manually relieve pressure in the hydraulic system using the manual bypass valves.
- Do not grasp a leaking pressurized hose with your hands. Do not feel for hydraulic leaks with your hands. The force of escaping hydraulic fluid can cause serious injury.

**1**

- a. Begin by examining the Hydraulic Hoses between the Raptor and the entry point on the boat. Where necessary, place a Tie Wrap to secure any loose hose.

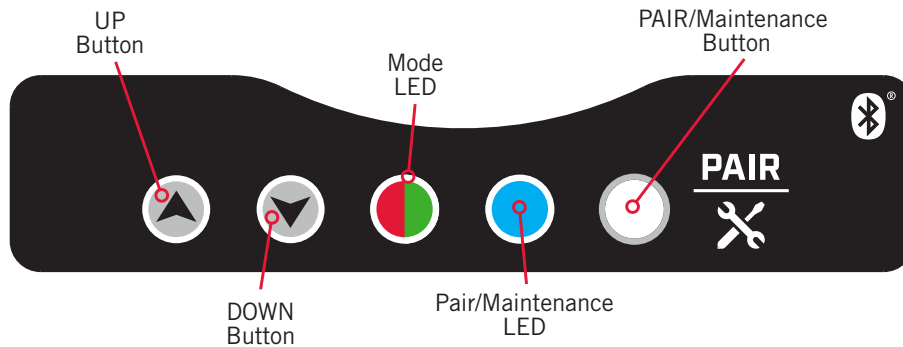
**NOTICE:** Review the mounting consideration at the beginning of the installation instructions for recommendations on Hydraulic Hose routings.

- b. Follow the hose routing along the established route on the boat. Secure the Hydraulic Hoses so they can be maintained within the intended routing.
- c. Follow the Hydraulic Hoses all the way back to the Hydraulic Pump and use a Tie Wrap to secure the Hydraulic Hoses any place necessary.



# RAPTOR CONTROL

## CONTROLLING THE RAPTOR WITH THE INDICATOR PANEL >



### UP

Press and hold to retract the anchor. The anchor will continue to retract when the button is held until the button is released.

### DOWN

Press and hold to deploy the anchor. The anchor deploys until the button is released or the anchor has reached its full range of deployment.

### Mode LED

Used to identify the different Anchor Modes. The Mode LED flashes between green and red for a period of three seconds when the anchor is in Standard Mode. Rough Water mode is identified when the Mode LED illuminates red and Soft Bottom when the Mode LED illuminates green. The Mode LED flashes green and green and then red and red when Auto Bottom is selected. The Mode LED is used to identify Active Anchoring. Mode LED will briefly pulse green when Active Anchoring is enabled and the Mode LED will briefly pulse red when it is disabled. The Mode LED will continue to pulse between green and red while Active Anchoring is enabled and the anchor is deployed. The Mode LED will also flash red to identify system errors.

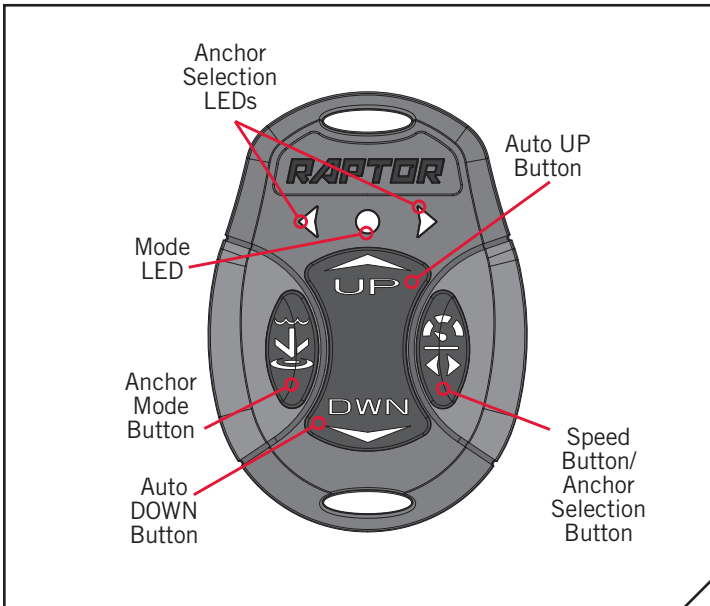
### Pair/Maintenance LED

While the anchor is in PAIR Mode, the Pair/Maintenance LED will flash blue. While in Maintenance Mode, the Pair/Maintenance LED will illuminate blue.



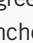

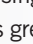
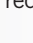
### PAIR/Maintenance Button

Single press to enter PAIR Mode. The anchor will stay in PAIR Mode until successfully paired, the PAIR button is pressed again to cancel it or until the PAIR process times out after 30 seconds. Press and hold the PAIR button to enter Maintenance Mode. While in Maintenance Mode, the anchor motor is disabled. To cancel Maintenance Mode, press the PAIR button again.

## CONTROLLING THE RAPTOR WITH THE REMOTE >



### Anchor Mode Button

Single press to display the current Anchor Mode. While the mode is displayed, continue to single press through the Anchor Modes to change them. This will toggle through the Anchor Modes of Standard, Rough Water, Soft Bottom and Auto Bottom. Standard Mode is identified when the Mode LED  flashes between red and green. Rough Water mode is identified when the Mode LED  flashes red and Soft Bottom when the Mode LED  flashes green. Auto Bottom Mode is only available on the Active Anchoring Model and is identified by a Mode LED  that flashes slowly from green to green and then red to red. On the Active Anchoring Model, the Anchor Mode button will also enable and disable Active Anchoring. Active Anchoring is engaged and disengaged by a single press and hold. When the Mode LED  displays green it is enabled and when the Mode LED  displays red it is disabled.



### Auto Up Button

Single press to auto retract the anchor. Press and hold to continually retract the anchor. The anchor will continue to retract when the button is held until the button is released. Also used to pair the Remote to a Raptor.




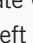
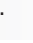


### Auto Down Button

Double press to auto deploy the anchor. Double press and hold the second press to continually deploy the anchor. The anchor will continue to deploy when the button is held until it reaches its full range of operation or until the button is released. Also used to pair the Remote to a Raptor.



### Speed Button / Anchor Selection Button

Single press to display the current operating speed. While the speed is displayed, continue to single press through the operating speed to toggle between slow, medium and fast. The Mode LED  will flash red three consecutive times at the speed that corresponds with the selected speed. Pressing and holding the button will toggle the remote to control either the Port, Starboard or both anchors (when two anchors are paired in the system). The Raptor Selection LEDs  will illuminate to correspond to the anchor(s) selected. The right LED  will illuminate when the Starboard anchor is selected and the left LED  will illuminate when the Port anchor is selected. Both the right and left LEDs  illuminate when both anchors are selected.

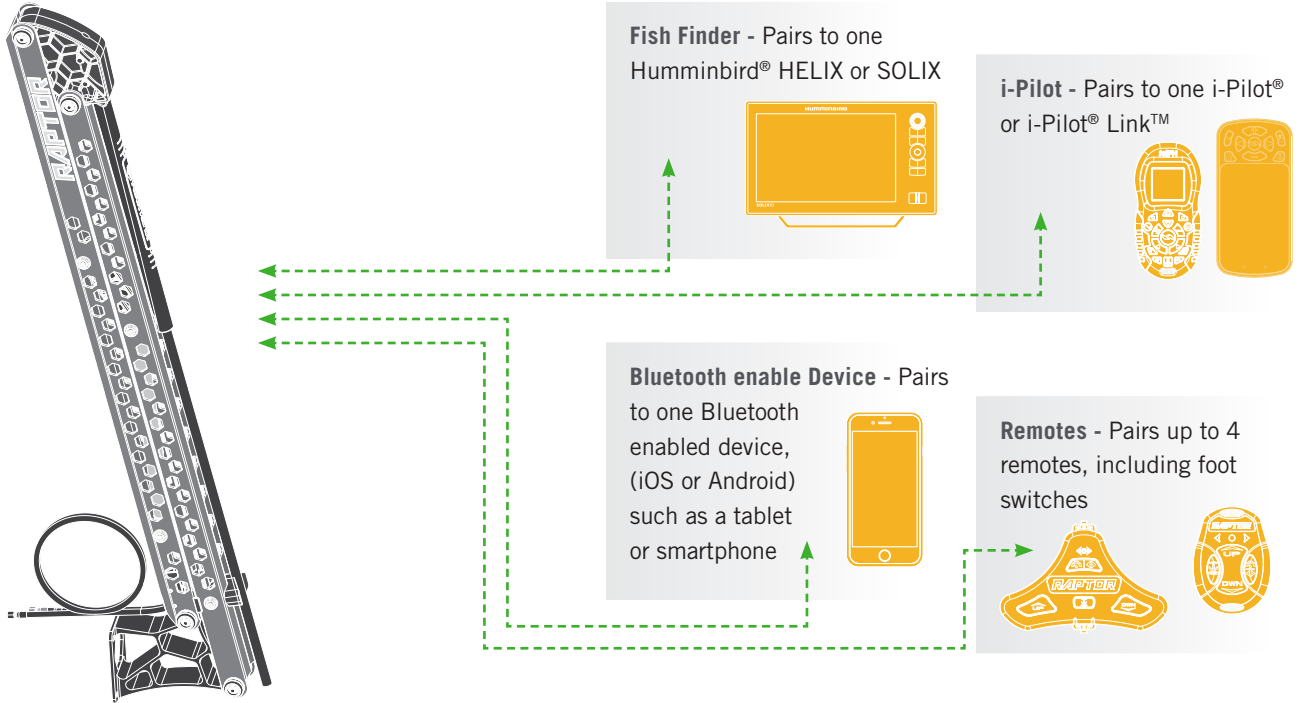
## CAUTION

Never leave the boat unattended with the Raptor as your only boat anchor. Raptor is not intended to provide primary anchorage. This includes operating the remote at a safe distance. It is not recommended to leave the boat while operating the Raptor with the remote. Doing so is at the owner's risk. This product does not relieve you from the responsibility of safe operation of your boat.

**NOTICE:** The Raptor remote that comes with the Raptor from the factory is pre-paired. If the network connection between the remote and the anchor is interrupted, please see "Pairing the Raptor" section of these instructions.


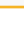


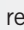


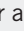
# PAIRING THE RAPTOR

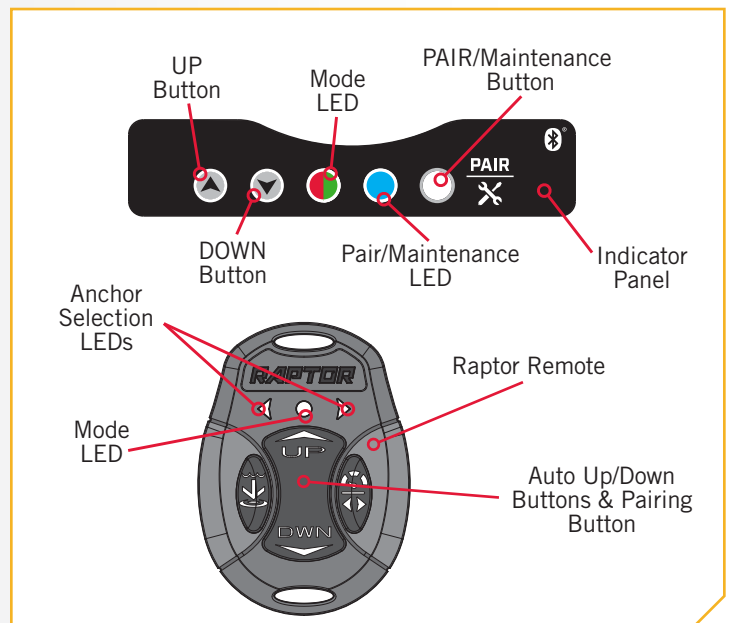
## NETWORK FOR A SINGLE RAPTOR



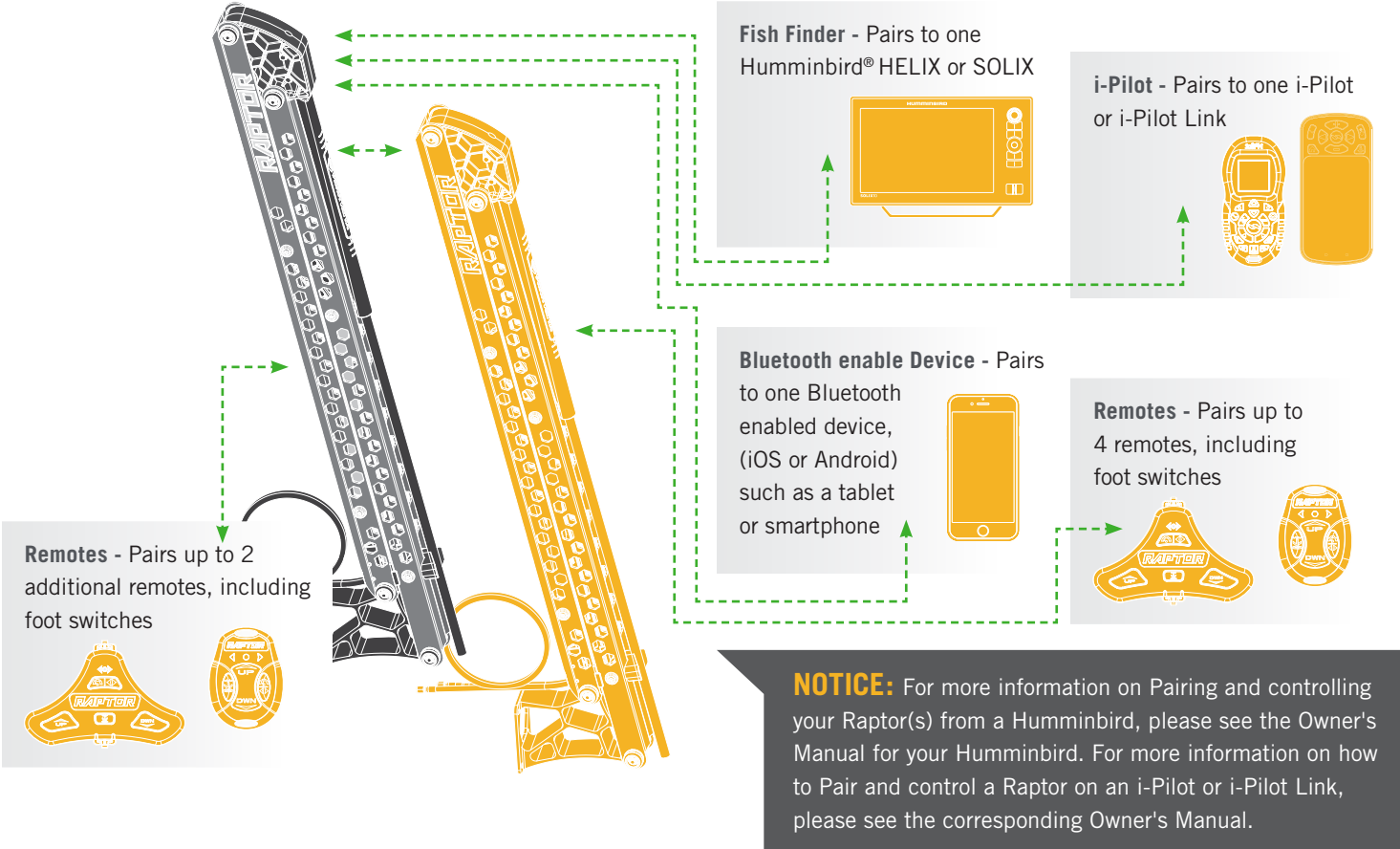
## PAIRING A REMOTE TO A SINGLE RAPTOR

Every Raptor comes direct from the factory with a remote already paired to the Raptor. If more remotes are paired to the Raptor than the network allows, the Raptor will pair the new remote and remove the remote that was least recently used from the network.

1.
  - a. Press and hold the Up  button and the Down  button on the Remote at the same time until the Anchor Selection LEDs and the Mode LED on the Remote begin to scroll     red, green, red and red. Then release them.
  - b. Immediately press the Pair  button on the Indicator Panel located on the Raptor Pump Assembly. The PAIR/Maintenance LED will begin to flash  blue. The Raptor and Remote will go into Pairing Mode for 30 seconds. If a signal with three fast beeps occurs, the Raptor and Remote have successfully paired. If 30 seconds pass while in Pairing Mode and they do not successfully pair, a chirp will sound from the Pump Assembly, signaling that the Pairing has timed out.
  - c. If the Pair is unsuccessful, repeat the process.





NETWORK FOR TWO RAPTORS

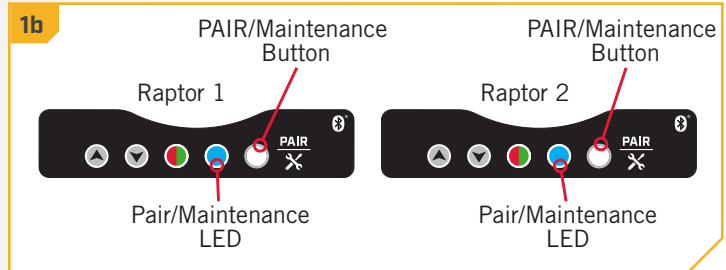
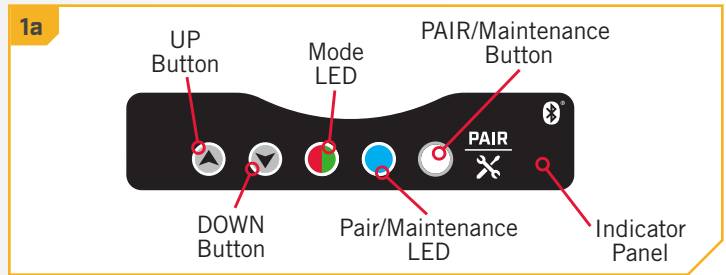




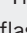
# PAIRING THE RAPTOR

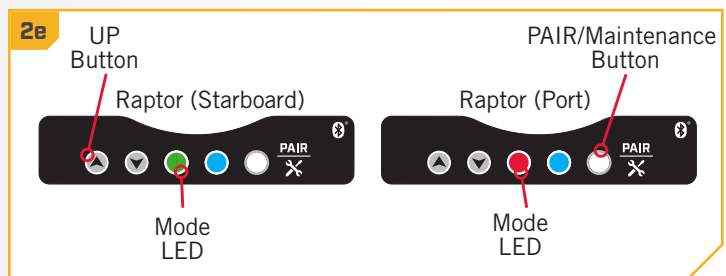
## PAIRING TWO RAPTORS AND PROGRAMMING THE MOUNTING LOCATION

Every Raptor comes direct from the factory with a Remote already paired to the Raptor. When installing two Raptors, it will first be necessary to clear all devices from both Raptor networks. To clear the pairing in each Raptor, follow the instructions in the "Clearing Paired Remotes or Devices from the Raptor" section of the Owner's Manual. Once both Raptor networks are cleared, the Raptors can then be paired together. The clear Raptor networks will allow the system to complete an automated process during pairing that will designate the Port and Starboard positions of the two Raptors as installed on the boat. The process below is used to pair the Raptors together, and to designate which side of the boat that each Raptor is installed on. Once complete, the Raptor remotes will need to be re-paired to the dual Raptor system. Please see the "Pairing a Remote to Two Raptors" section of this manual to pair a remote. Additional Bluetooth enabled devices may now be added to the One Boat Network such as a Humminbird fish finder, an i-Pilot or i-Pilot Link system, and a device such as a smartphone or tablet.

- 1**
  - a. Press the Pair  button on the Indicator Panel on one of the Raptors. The PAIR/Maintenance LED will begin to flash  blue. Immediately follow this step on the second Raptor.
  - b. The Raptors are in Pairing Mode and will search for each other for 30 seconds. If they do not Pair after 30 seconds, an error tone will sound signaling that the Pairing has timed out. If this occurs, start the process again.
  - c. If the Raptors successfully Pair, a confirmation tone with three fast beeps will occur. At this point, the Raptors have successfully paired, and now need to be programmed to designate the Port or Starboard locations. This process will automatically begin when two Raptors have successfully paired to each other.




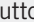



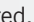


- 2**
  - d. The Mode Indicator LED will turn green  on both Raptors. On the Indicator Panel of the Starboard Raptor, press the Up  button. The Raptor will accept the selection. The Mode LED of the Raptor on the Port side will flash red  and then the LEDs on both Raptors will turn off. Now the Raptors are successfully Paired together and know their mounted position.

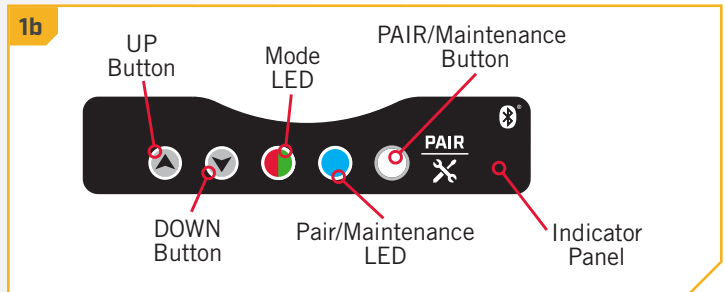
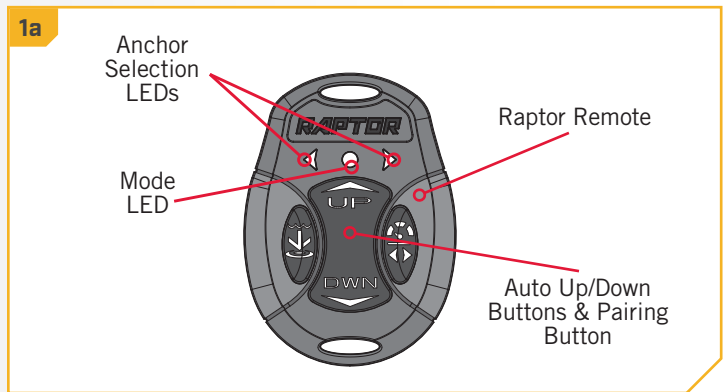


**NOTICE:** When the process is complete, all remotes that were paired to an individual Raptor will need to be re-paired. Please see the "Pairing a remote to two Raptors" section of this manual.

## PAIRING A REMOTE TO TWO RAPTORS

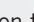
In order to Pair a remote to the Raptor, please be sure to first Pair the Raptors together. When two Bluetooth Raptors are paired together, all remotes that were paired to an individual Raptor will unpair. Please see the "Pairing Two Raptors and Programming the Mounting Location" section of this manual. If the two Raptors are already paired together, a remote can be paired to the dual Raptors. Either Raptor in the network can be used to Pair a remote to the dual Raptor. If more remotes are paired to the dual Raptors than the network allows, the Raptor will pair the new remote and remove the remote that was least recently used from the network. When the pairing process is complete, the remote will be able to control both Raptors.

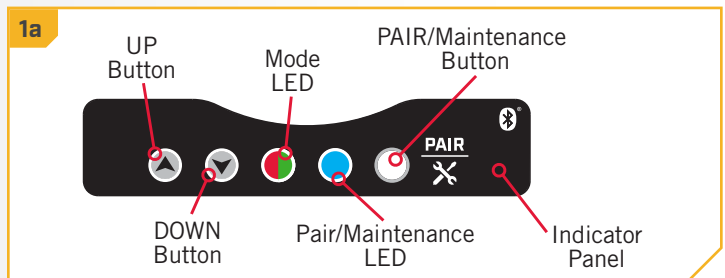
- 1
  - a. Press and hold the Up  button and the Down  button on the Remote at the same time until the Anchor Selection LEDs and the Mode LED on the Remote begin to scroll     red, green, red and red. Then release them.
  - b. Immediately press the Pair  button on the Indicator Panel located on the Pump Assembly of one of the Raptors. The PAIR/Maintenance LED on both Raptors will begin to flash  blue. The Raptor and Remote will go into Pairing Mode for 30 seconds.
  - c. If a signal with three fast beeps occurs, the Raptor and Remote have successfully paired. If 30 seconds pass while in Pairing Mode and they do not successfully pair, a chirp will sound from the Pump Assembly signaling that the Pairing has timed out.
  - d. If the Pair is unsuccessful, repeat the process.



## CLEARING PAIRED REMOTES OR DEVICES FROM THE RAPTOR

The Raptor was designed so that all paired devices can be cleared from memory.



- 1
  - a. Retract the anchor on the Raptor by pressing the Up  button located on the Indicator Panel on the Pump Assembly.

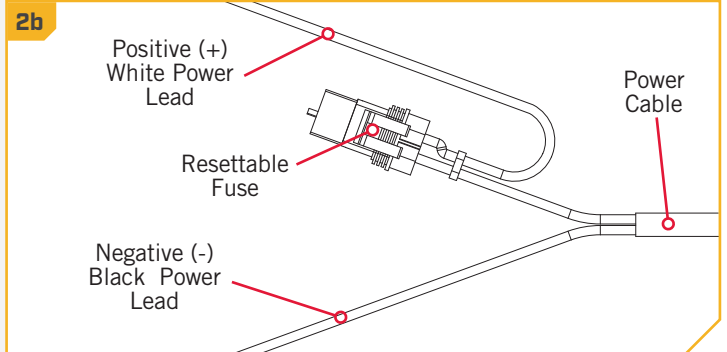


# PAIRING THE RAPTOR

2

**NOTICE:** This may require assistance from another person.




- b. Turn the power to the Raptor "off" by removing the resettable Fuse located on the Raptor Power Cable.
- c. While holding in the Up  button on the Indicator Panel, restore power to the Raptor. You will hear a long steady tone.
- d. After the steady tone stops, release the Up  button. Wait a full 30 seconds. Remove the fuse to power cycle the Raptor again and then replace the fuse.
- e. The Raptor memory is now clear of all previously paired devices.



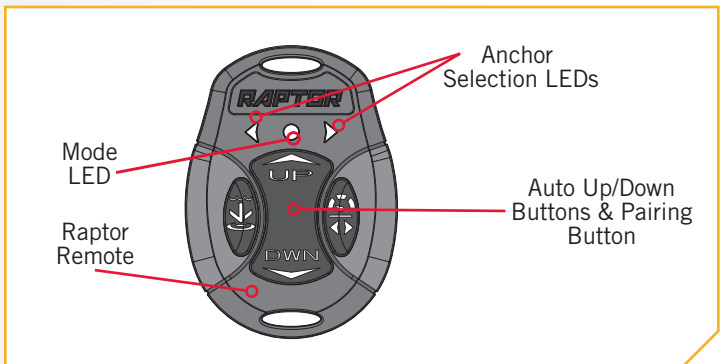
# CLEARING A PAIRED RAPTOR FROM THE REMOTE

The Remote was designed so that a paired Raptor can be cleared from memory.

1

- a. Press and hold the Up  button and the Down  button on the Remote at the same time until the Anchor Selection LEDs and the Mode LED on the Remote begin to scroll  red, green, red and red. Then release them. The Remote will go into Pairing Mode for 30 seconds. Once Pairing times out the paired Raptor will be cleared.

**NOTICE:** Putting the Remote into Pairing Mode, even if it is accidental, without Pairing the Remote to a Raptor will clear a paired Raptor.





# THE RAPTOR APP

## › Raptor App Home Screen

Minn Kota offers a Raptor app that can be used to control and update the Raptor using a Bluetooth® enabled device. The Raptor app is available for download on iOS devices through the Apple App store or on Android™ devices through the Google Play Store.

### HEADER ›



### Menu

When selected, the Menu gives additional options to control the Raptor such as anchor speed, software updates, the setup guide, and additional product control and support.

**NOTICE:** When the device is not connected to a Raptor, the Menu will bring up the option to enter Demo Mode. Once the device is connected to a Raptor, Demo Mode is exited and the option is not available.

### APP BUTTONS ›



### Auto Up

Single press to auto retract the anchor. Press and hold to continually retract the anchor. The anchor will continue to retract when the button is held until the button is released.



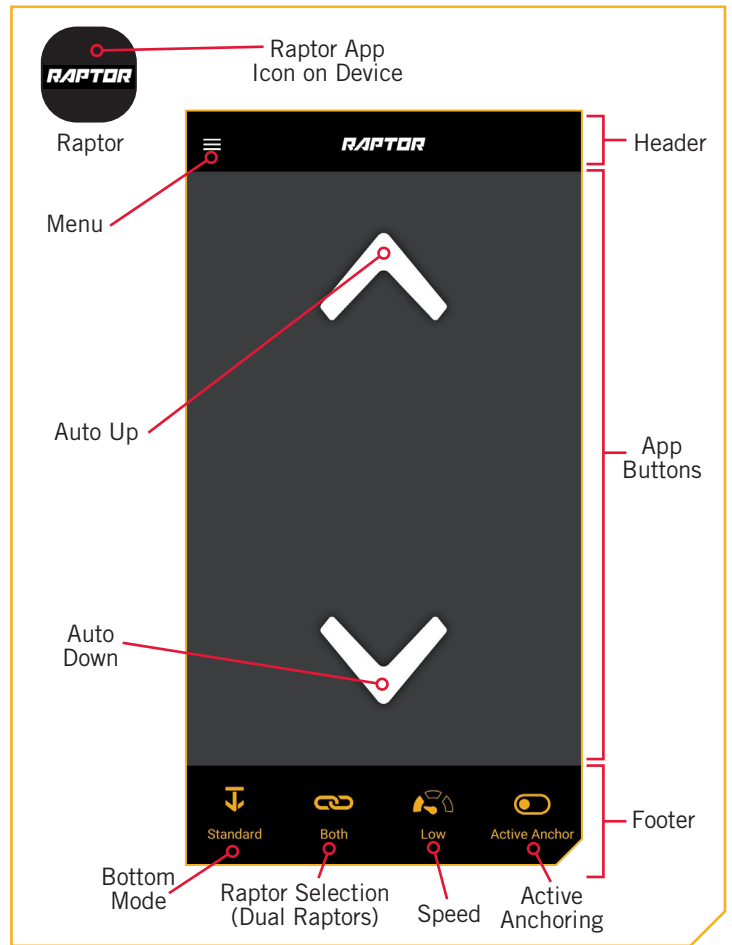
### Auto Down

Double press to auto deploy the anchor. Double press and hold the second press to continually deploy the anchor. The anchor will continue to deploy when the button is held until it reaches its full range of operation or until the button is released.



### Pause

When pressed it interrupts the current action. The Raptor(s) will remain at the current depth until another command is sent. The action for both deploying and retracting the anchor can be paused. The pause button may appear in place of the Auto Up or Auto Down buttons during deploying or retracting and will disappear when pressed while the unit is paused.



### Direction Indication

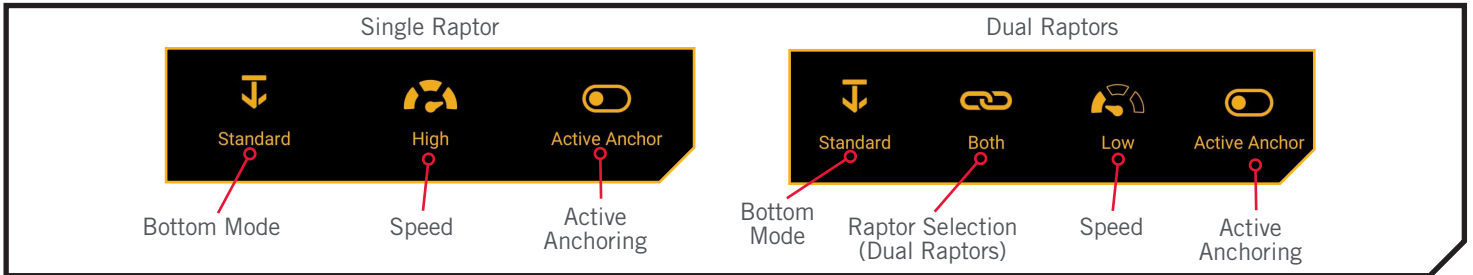
Shows the direction of deployment and retraction when the Raptor is in use.

**NOTICE:** Specifications subject to change without notice. This diagram is for reference only and may differ from your actual app interface. The Raptor App will only work with Bluetooth® enabled Raptors. Be sure that you download the correct app as other Minn Kota® apps will not work with your Raptor.

**NOTICE:** Active Anchoring is only available in select models and the selection will be disabled in the Standard Model.

# THE RAPTOR APP

## FOOTER >



### Standard Mode

When put in Standard Mode, the Mode Indicator LED in the Indicator Panel will toggle between red and green and then turn off.



### Rough Water Mode

In Rough Water Mode, the Mode LED on the Indicator Panel will be lit red . In Rough Water Mode, the anchor will operate with maximum down-force when anchoring.



### Soft Bottom Mode

In Soft Bottom Mode, the Auto Deploy will operate at a reduced power with a single hit. During calm conditions or on water with muddy or soft sandy bottoms, Soft Bottom Mode will prevent the Raptor from over-anchoring. In Soft Bottom Mode, the Mode Indicator LED will flash green on the Indicator Panel.



### Auto Bottom Mode

In Auto Bottom Mode, the anchor uses pressure readings to determine how best to anchor the Raptor. Auto Bottom Mode is only available on Raptor's equipped with Active Anchoring and is identified by a Mode LED that flashes slowly from green to green and then red to red when activated.



### Raptor Selection - Both

Indicates both the Port and Starboard Raptors are selected and will be controlled while operating. Press to Toggle between having both Raptors selected or controlled individually. This option is only seen when the app is set up to control two Raptors.



### Raptor Selection - Individual

Indicates the Raptors will be controlled individually while operating. Press to Toggle between controlling Raptors individually or together.



### Speed Button

Toggles the Speed that the anchor retracts and deploys between low, medium and High. The respective speeds can be set in a Range in the App Menu.



### Active Anchoring

Enables Active Anchoring and allows the Raptor to adjust to changes in pressure while anchored. Active Anchoring is engaged and disengaged by a single press. When the Mode LED displays green it is enabled and when the Mode LED displays red it is disabled. If Active Anchoring is not available for your model, the selection will be gray.



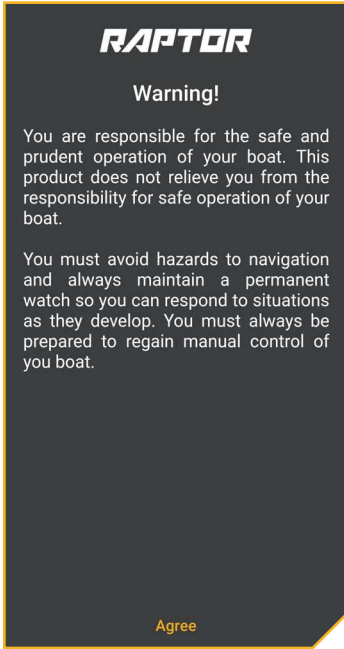
### Low Battery

Displayed when the App recognizes that the Raptor is powered by a low battery.

**NOTICE:** The Raptor Selection options are only visible when the Raptor App is set up to control two Raptors.

## LAUNCHING THE APP & DEMO MODE >

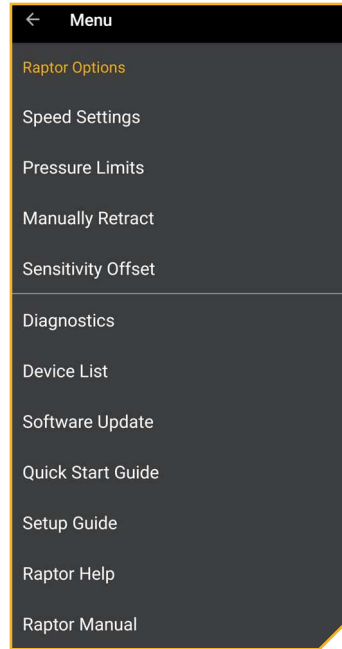
Launching the app when it is not paired with the Raptor will allow you to try it in Demo Mode. The first time the app is launched, you must agree with the disclaimer in order to continue. Become familiar with the app screens in order to understand how to operate your Raptor with the app.



The Disclaimer screen appears when the app is launched for the first time.



The Setup Guide appears after the Disclaimer when the device is not paired or actively communicating with a Raptor.



The Menu brings up a variety of control options for the Raptor. The options will depend on if and how many Raptors are paired.



The Raptor Control Screen when one Raptor is paired to the device. This screen differs slightly when two devices are paired.

## WARNING

You are responsible for the safe and prudent operation of your boat. This product does not relieve you from the responsibility for safe operation of your boat.


You must avoid hazards to navigation and always maintain a permanent watch so you can respond to situations as they develop. You must always be prepared to regain manual control of your boat.

# THE RAPTOR APP

## › Check the Application and Raptor Software Version on the App

When a Raptor is paired with a device, the Raptor app on the device records information about the paired Raptor(s), including the software version installed on each. This information can be used to detect if a Raptor requires a software update. To check the software version on paired Raptor(s), follow the steps below.

1

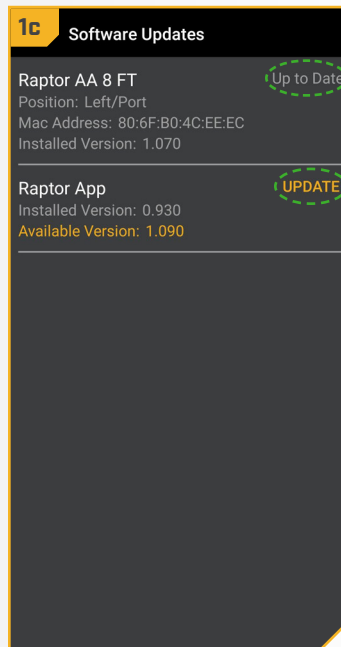
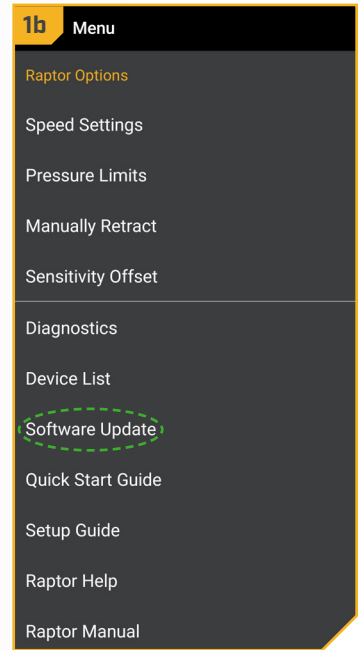
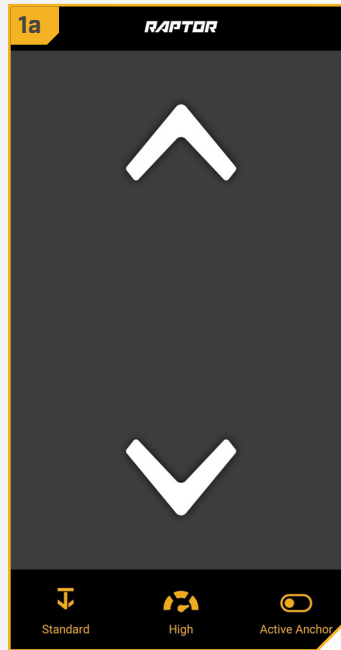
- a. From the Raptor app Home screen, press the Menu  Button.
- b. In the Menu Screen, find the Software Update option and select it.
- c. The Software Updates Screen will appear. The Software List will show any Raptors that are paired with the app and the Raptor App Software Version.

**NOTICE:** Noting the version of the Raptor and/or App, before and after updates, helps to identify if the updates were successful.

**NOTICE:** If the App cannot communicate directly with the Raptor, the App will show the version of software that it detected the last time the device was paired and communicating with the Raptor.

- d. If there are no Raptors paired, the list will only show information for the Raptor App. If Raptors are paired and communicating, the name of each device will be colored white. If the Raptors are paired but are not communicating the Raptor name will be colored gray.

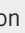
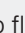
**NOTICE:** If the Raptor App or Raptor software needs an update, the App will list "UPDATE" next to it. If the software is up-to-date, the App will list "Up to Date".

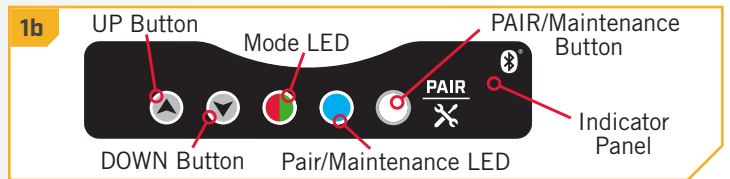
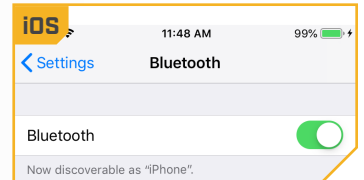
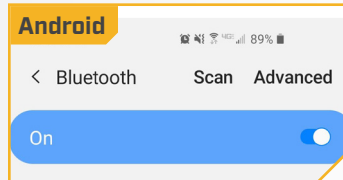


## › Pairing a Device with a Single Raptor

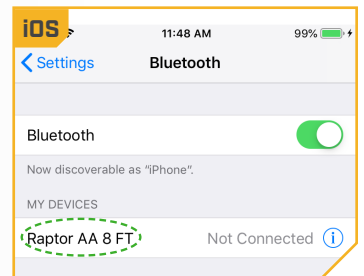
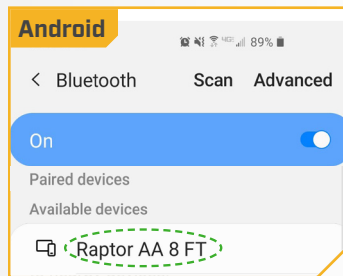
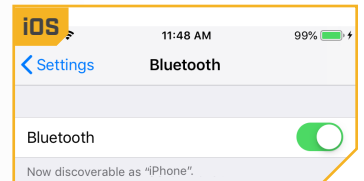
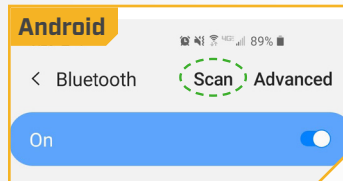
The Raptor App can be used to control the Raptor using a device that is paired to the Raptor with a Bluetooth connection. Before pairing the device with the Raptor, the Raptor App should first be successfully downloaded. You can confirm that the app was successfully downloaded by opening it on your device. Once confirmed, close the App to begin the pairing process.

**NOTICE:** Your device will only be able to connect to a Raptor and be paired if the device is Bluetooth enabled.

- 1
  - a. On the device you intend to pair with the Raptor, turn Bluetooth “on” and keep your device on that screen.
  - b. Press the Pair  button on the Indicator Panel located on the Raptor Pump Assembly. The PAIR/Maintenance LED will begin to flash  blue. The Raptor will go into Pairing Mode for 30 seconds.



- 2
  - c. If on an Android device, select the Scan button to begin the process on your device. On an iOS device, as soon as the Bluetooth menu is opened, the scan starts automatically. The Raptor will appear on the list of available devices once it is recognized by the device.
  - d. Select the Raptor from the list of available devices. This will pair the Raptor to the device. Once you hear the beeps, the Raptor is successfully paired.



**NOTICE:** When the device Bluetooth is scanning for the Raptor, the Raptor must be in Pairing Mode. If the Raptor or the device time out, the process on both will need to be re-initiated.

- 3
  - e. In order for the device and your Raptor to stay connected, Bluetooth needs to remain "on". Once the device is paired with the Raptor, the device will connect and begin communicating with each other. When the Raptor is paired to the device and communicating with it, the Raptor App will automatically recognize that the Raptor is paired.
  - f. If the pair is unsuccessful, repeat the process.

**NOTICE:** When a device is paired with the Raptor, the paired device and Raptor know each other. When a paired device and a Raptor are connected they can actively communicate with each other. In order for the Raptor App to detect the Raptor, it needs to be paired and communicating with the Raptor.


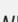
# THE RAPTOR APP

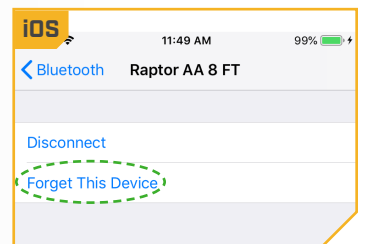
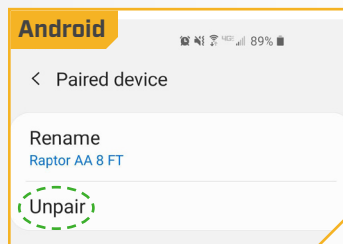
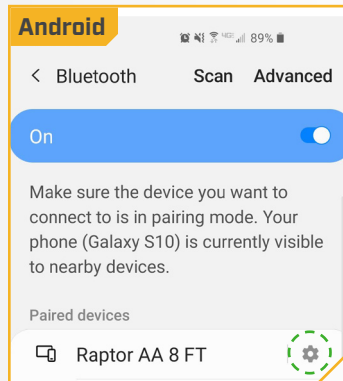
## › Pairing a Device with Two Raptors

In order for the Raptor App to pair two Raptors to the device, the Raptors first need to be paired together. To learn how to pair two Raptors together, read the "Pairing Two Raptors and Programming the Mounting Location" section of the Raptor Manual. Once the Raptors are paired together, follow the directions for "Pairing a Device with a Single Raptor". Only one Raptor needs to be paired with the device where the Raptor App is installed.

## › Forgetting a Raptor on a Device

Once a device is paired to a Raptor, it will remember the device, even if the device and the Raptor are not actively communicating. In some cases, it may be necessary to clear the memory on the device and forget any paired Raptors. To do this, use the Bluetooth settings on the device.

- 1
  - a. Open the Bluetooth settings on the device.
  - b. A list of paired devices will appear. The appearance of the list from an Android to an iOS device will look different.
  - c. On an Android device, select the Settings  icon next to the device in the list of Paired Devices. When the next screen appears, find the option to Unpair the device and select it.
  - d. On an iOS device, select the "i"  icon next to the device in the list of My Devices. When the next Screen appears, find the option to Forget this Device and select it.
  - e. Once the device is unpaired or forgotten, the device is no longer paired or communicating with the device and will not be visible to the Raptor App or device.



## › Raptor Control and Disable Auto-Lock

Most devices are programmed to Auto-Lock the device screen after a certain amount of time has lapsed where the device has been inactive. In these cases, when the user had the Raptor app open to control the Raptor and returns to the device, the screen may be locked. In order to control the Raptor, the device will first need to be unlocked to control the Raptor with the app. This Auto-Lock feature can be disabled from the Raptor app in order to immediately control the Raptor after the device has been inactive. To turn Auto-Lock "on", open the Raptor app and navigate to the Menu. Scroll to the bottom of the Menu and find the Disable Auto-Lock setting. When the toggle is slid "on" and appears yellow, the Disable Auto-Lock is engaged and will prevent the device screen from locking when the device experiences moments of inactivity. With this feature enabled, the device will immediately control the Raptor.

**THIS COMPLETES THE INSTALLATION OF YOUR RAPTOR. A COMPLETE OWNER'S MANUAL CAN BE DOWNLOADED AT [MINNKOTAMOTORS.COM](http://MINNKOTAMOTORS.COM).**



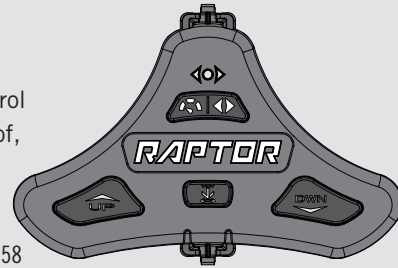
# RECOMMENDED ACCESSORIES

## ▶ RAPTOR CONTROL

### RAPTOR WIRELESS FOOT SWITCH ▶

Raptor wireless foot switch allows for hands free control of your Raptor. Control one or two Raptors independently or simultaneously. Foot switch is waterproof, includes LED indicator lights and has an easy access battery compartment. Convenient Modular deck mount for easy removal and storage.

1810258



## ▶ RAPTOR MOUNTING ADAPTER BRACKETS

Raptor mounting brackets come in a variety of configurations to meet your mounting needs. They feature a light weight, aluminum construction for superior strength. Constructed with a powder coated exterior for corrosion resistance and include stainless steel mounting hardware. All brackets include a 5-year warranty.

### DIRECT MOUNT ANGLE BRACKET ▶

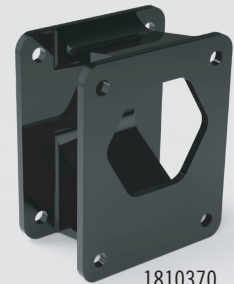
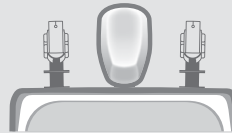
In direct transom mount applications, maximizes holding power by providing optimal angle for Raptor deployment.



1810371

### 3" SETBACK BRACKET ▶

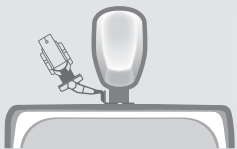
Provides 3" of additional setback to all mounting applications where specific clearances are required.



1810370

### UNIVERSAL SANDWICH ADAPTER ▶

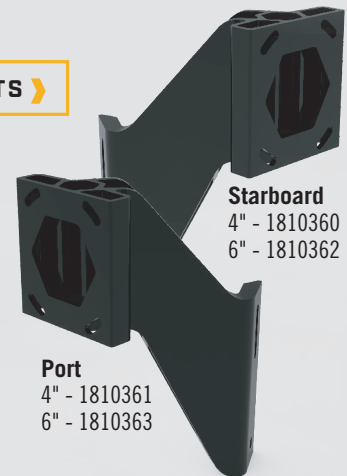
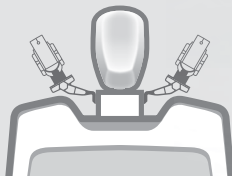
Mounts between your jack plate and transom or between the outboard and transom, for use in port or starboard applications.



1810372

### JACK PLATE BRACKETS ▶

Mounts directly to your jack plate on the Port or Starboard side of your boat. Comes in a 4" or 6" rise.

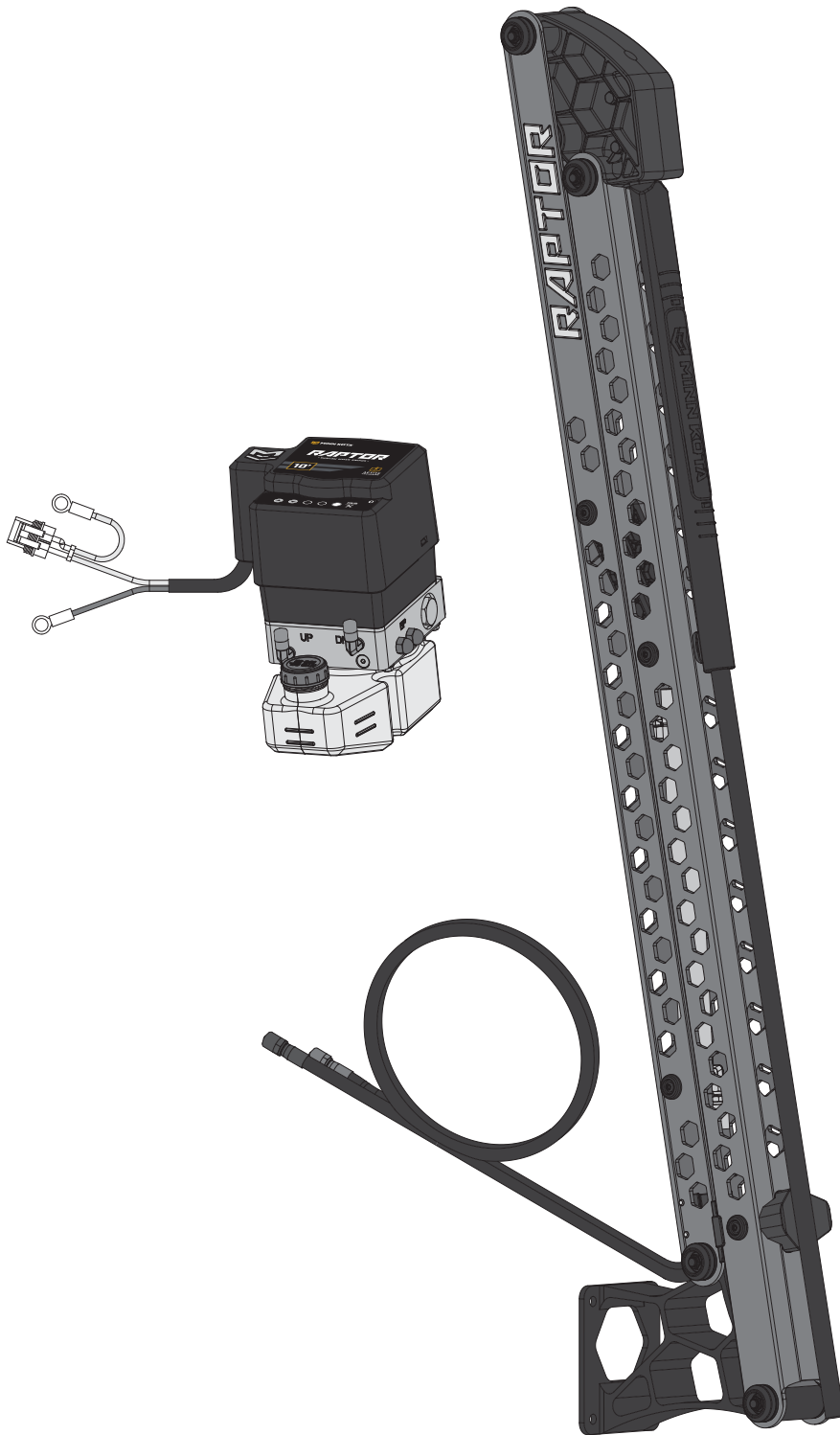


**Port**  
4" - 1810361  
6" - 1810363

**Starboard**  
4" - 1810360  
6" - 1810362







# **RAPTOR**

## **ANCRE POUR EAUX PEU PROFONDES**

**Instructions d'installation**

# PRÉSENTATION

## MERCI

Merci d'avoir acheté l'ancre pour eaux peu profondes Raptor Minn Kota<sup>MD</sup>. Cette ancre révolutionnaire pour eaux peu profondes utilise une technologie de pointe pour livrer des niveaux inégalés de contrôle du bateau. Des fonctionnalités intuitives et un contrôle sans fil permettent au Raptor de positionner votre bateau avec précision et d'améliorer la présentation de votre appât. Le Raptor tient le bateau en place afin que vous puissiez vous concentrer sur la pêche.

## ENREGISTREMENT

N'oubliez pas de conserver votre reçu et d'enregistrer immédiatement votre Raptor. Pour recevoir tous les avantages de la garantie de votre produit, veuillez remplir la carte d'enregistrement et la retourner par la poste. Vous pouvez aussi enregistrer votre produit en ligne sur [minnkotamotors.com](http://minnkotamotors.com).

## NUMÉRO DE SÉRIE

Le numéro de série à 11 caractères Minn Kota est très important. Cela permet de déterminer le modèle spécifique et l'année de fabrication. Lorsque vous contactez le service à la clientèle ou que vous enregistrez votre article, vous aurez besoin du numéro de série de votre article. Nous vous suggérons d'écrire le numéro de série afin qu'il soit disponible à des fins de référence future.

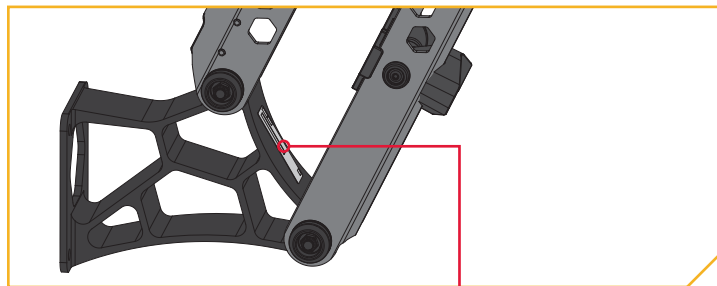
## INFORMATION RAPTOR (À des fins de référence par le client seulement)

Modèle : \_\_\_\_\_

Numéro de série : \_\_\_\_\_

Date de l'achat : \_\_\_\_\_

Magasin où l'achat a été effectué : \_\_\_\_\_



**AVIS :** Le numéro de série de votre Raptor se trouve sur le support de montage, sous le bras.

**AVIS :** ne pas retourner l'article Minn Kota au détaillant. Le détaillant n'est pas autorisé à réparer ou à remplacer cette unité. Vous pouvez obtenir un service en appelant Minn Kota au 1-800-227-6433; en retournant votre Raptor au Centre de service de la manufacture Minn Kota ainsi qu'en envoyant ou en emportant votre produit à un centre de service agréé de Minn Kota. Une liste de centres de service agréés est disponible sur notre site Web, à [minnkotamotors.com](http://minnkotamotors.com). Pour obtenir un service au titre de la garantie, y compris toutes les options susmentionnées, veuillez inclure la preuve d'achat, le numéro de série et la date de l'achat.

Fait pour l'iPhone<sup>MD</sup> 8, l'iPhone 7, l'iPhone 6 et l'iPad Air<sup>MD</sup> 2

Pour une compatibilité mise à jour iOS, Humminbird<sup>MD</sup> et Minn Kota<sup>MD</sup>, visitez [minnkotamotors.com](http://minnkotamotors.com).



L'utilisation de l'insigne Fait pour Apple signifie qu'un accessoire a été conçu pour se connecter spécifiquement au(x) produit(s) Apple identifié(s) sur l'insigne et qu'il a été certifié par le développeur comme étant conforme aux normes de rendement d'Apple. Apple n'est pas responsable de l'utilisation de cet appareil ou de sa conformité aux normes sécuritaires et légales. iPad, iPad Air et iPhone sont des marques déposées d'Apple Inc., enregistrées aux États-Unis et dans d'autres pays. L'image de marque « iPhone » est utilisée au Japon avec une licence d'Apple K.K. Le robot Android<sup>MC</sup> est reproduit ou modifié de l'œuvre créée et partagée par Google et utilisée conformément aux conditions décrites dans la licence Creative Commons 3.0 Attribution.

# CONSIGNES DE SÉCURITÉ

Veillez lire attentivement le manuel de l'utilisateur. Suivre toutes les instructions et respecter toutes les consignes de sécurité. L'utilisation de cet article n'est autorisée que pour les personnes qui ont lu et compris ces instructions. Les mineurs peuvent utiliser ce moteur uniquement sous la supervision d'un adulte.

## **AVERTISSEMENT**

Vous seul êtes responsable de la navigation sécuritaire et prudente de votre bateau ou vaisseau et de vos Raptors. Ce produit ne vous exonère pas de la responsabilité de naviguer de façon sécuritaire avec votre bateau. Il peut être dangereux d'utiliser votre Raptor dans des conditions d'eaux agitées ou turbulentes, comme les courants rapides ou les conditions environnementales changeantes. Ne pas déployer le Raptor en ces conditions, surtout lorsque la topographie subaquatique est inconnue. Le défaut de suivre cet avertissement pourrait entraîner un fonctionnement inattendu ou un défaut de fonctionnement du Raptor ou de l'ancre, et pourrait entraîner la mort ou une blessure grave. Vous devez éviter les dangers à l'ancrage et toujours assurer une surveillance permanente afin que vous puissiez conserver le contrôle approprié de votre bateau. Vous devez toujours être prêt à reprendre le contrôle manuel de votre bateau. Apprenez à utiliser votre produit Minn Kota dans une zone exempte de dangers et d'obstacles.

## **AVERTISSEMENT**

Le Raptor doit être débranché de la source d'alimentation lorsqu'il n'est pas utilisé ou lorsqu'il est hors de l'eau pendant plus d'un mois. Au moment de brancher les câbles d'alimentation du Raptor à la batterie ou à l'interrupteur, veiller à ce qu'ils ne soient pas entortillés ni exposés au frottement, puis les placer de telle manière que personne ne risque de trébucher. Avant d'utiliser le Raptor, assurez-vous que l'isolant des câbles d'alimentation n'est pas endommagé. Ne pas tenir compte de ces mesures de sécurité peut entraîner des courts-circuits avec les batteries ou le produit. Toujours déconnecter le Raptor des batteries avant le nettoyage ou la vérification. En cas d'opération imprévue, retirez les câbles d'alimentation de la batterie. Éviter de submerger l'ensemble de la pompe puisque l'eau peut s'infiltrer, entraînant des dommages importants au produit. Ces dommages ne seront pas couverts par la garantie. Le niveau de pression sonore constant du Raptor au moment de l'utilisation est inférieur à 70 dB (A). Le niveau de vibration général ne dépasse pas  $8,2 \text{ pi/s}^2$  ( $2,5 \text{ m/s}^2$ ).

## **AVERTISSEMENT**

Veillez à ce que ni vous ni d'autres personnes ne vous approchiez trop près du pieu du Raptor, que ce soit seulement avec une partie du corps ou des objets. Le Raptor est puissant et pourrait provoquer des situations périlleuses ou des blessures, pour vous ou les autres. Lorsque le Raptor est en marche, faites attention aux nageurs et aux objets flottants. Les personnes dont la capacité à faire fonctionner le Raptor est affaiblie par l'alcool, la drogue, les médicaments ou d'autres substances ne sont pas autorisées à utiliser ce produit.

## **ATTENTION**

Ne jamais laisser le bateau sans surveillance avec le Raptor comme seule ancre. Le Raptor n'est pas destiné à fournir l'ancrage principal.

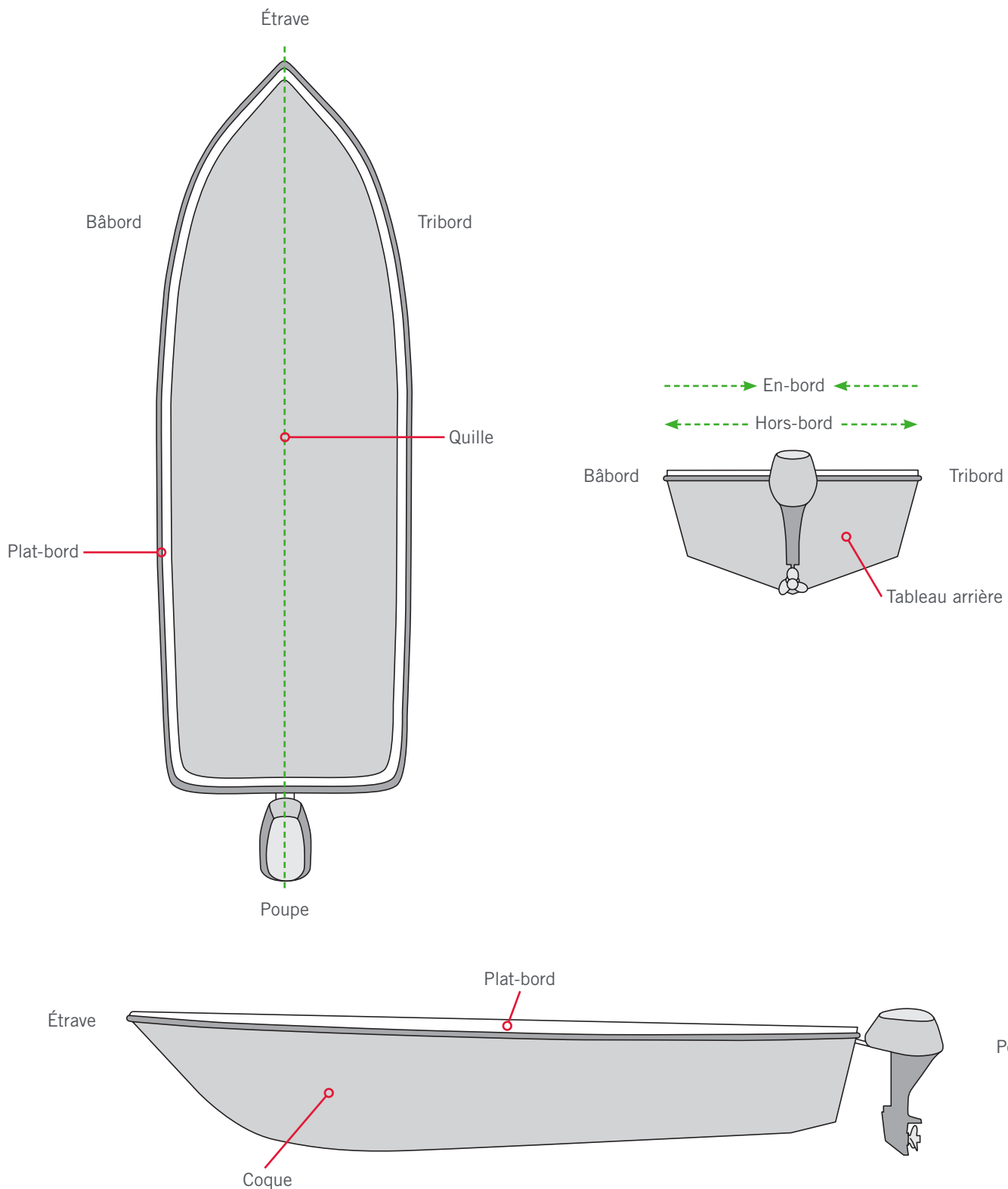
## **AVERTISSEMENT**

Nous recommandons d'utiliser exclusivement les accessoires approuvés par Johnson Outdoors avec votre Raptor. L'utilisation d'accessoires non approuvés, y compris pour monter ou contrôler votre produit, pourrait causer des dommages, un fonctionnement inattendu et des blessures. Veiller à utiliser le produit ainsi que les accessoires approuvés, y compris les télécommandes, en toute sécurité et de la manière indiquée pour éviter un fonctionnement accidentel ou inattendu. Ne retirez pas les pièces installées en usine, y compris les couvercles, boîtiers et protections du moteur et des électroniques et des accessoires. Le défaut de respecter cet avertissement pourrait affecter la garantie.

## **AVERTISSEMENT**

CE PRODUIT CONTIENT UNE PILE BOUTON. Si avalée, une pile bouton au lithium peut causer des blessures graves ou mortelles dans les deux heures. Gardez les piles hors de la portée des enfants. Si vous croyez qu'une pile a été avalée ou placée dans toute partie du corps, consultez un médecin immédiatement.

# CONNAISSEZ VOTRE BATEAU



# INSTALLATION

## INSTALLATION DU RAPTOR

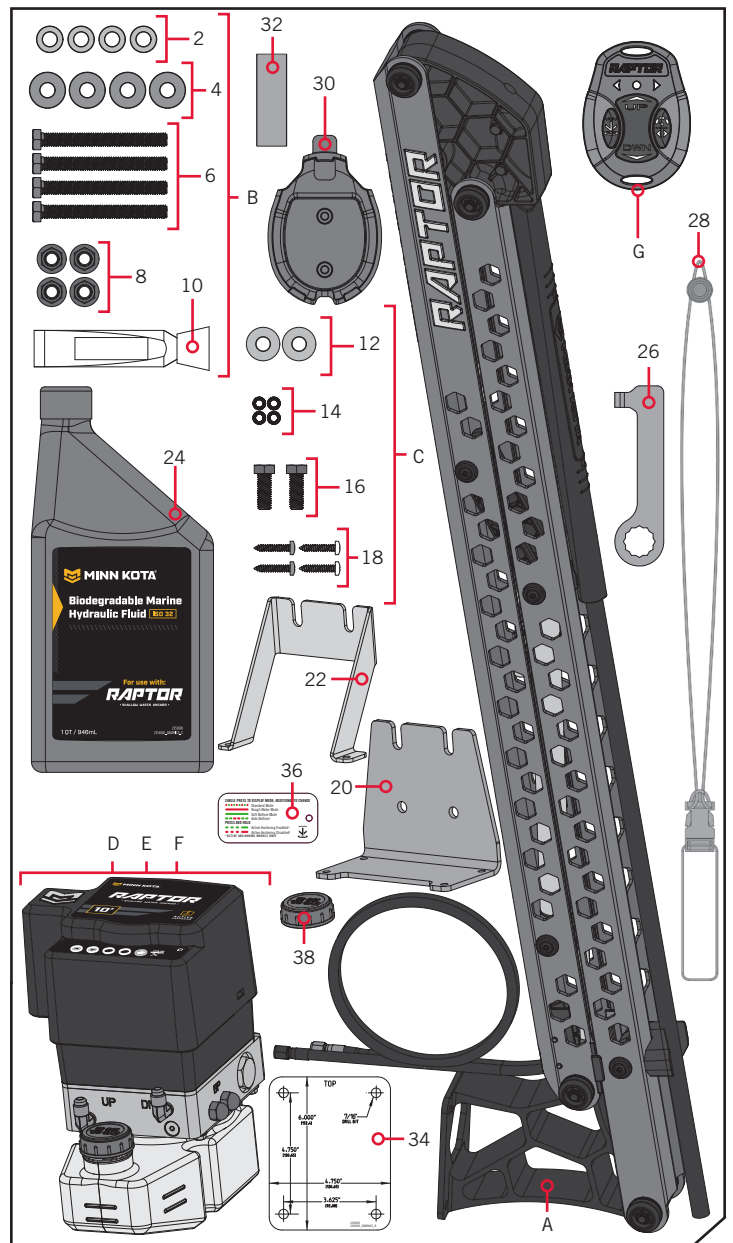
Votre nouveau Raptor est livré avec toute la quincaillerie qu'il vous faut pour l'installer directement sur le tableau arrière de votre bateau. Si votre tableau arrière est de forme irrégulière qui ne peut convenir à un montage direct, ou si vous préférez monter votre Raptor avec un support adaptateur pour en faciliter le montage ou le retrait, veuillez visiter [minnkotamotors.com](http://minnkotamotors.com) pour des précisions au sujet de nos supports adaptateurs Raptor. Pour l'installation avec un support adaptateur Raptor, consultez les directives d'installation fournies avec le support. Pour des supports adaptateurs Raptor compatibles, pour trouver le détaillant le plus près ou pour d'autre soutien du produit, veuillez visiter [minnkotamotors.com](http://minnkotamotors.com). Pour installer le Raptor directement sur le bateau, veuillez suivre les directives fournies dans ces instructions d'installation. Avant de commencer, veuillez examiner la liste des pièces et des outils nécessaires à l'installation.

### LISTE DE PIÈCES D'INSTALLATION

Article/Assemblage	N° de pièce	Description	Qté.
A	*	RAPTOR ASSEMBLY	1
B	2994943	BAG, ASM, RAPTOR HWD	1
Articles 2 à 10			
2	2371758	WASHER-3/8 HD FLAT SS	4
4	2371759	WASHER-3/8 HD FENDER SS	4
6	2383421	SCREW-3/8-16X3 1/2 HHCS SS	4
8	2353102	NUT-3/8-16 FLANGE,NYLOK,SS	4
10	2378608	ANTI SEIZE TUBE, 4CC, TALON	1
C	2994944	BAG ASM, RAPTOR PUMP HDW	1
Articles 12 à 18			
12	2351735	WASHER-3/8" BELLEVILLE SS	2
14	2351733	WASHER-#10 BELLEVILLE SERRATED	4
16	2353412	SCREW-3/8-16 X 1.0" HHCS SS	2
18	2353420	SCREW-#10-16X1.00 TY AB SS	4
20	2351933	BRACKET-MOUNTING, PUMP	1
22	2351934	BRACKET-REINFORCING	1
24	2357700	OIL-HYDRAULIC, QUART, RPTR	1
26	2358800	WRENCH-PRESSURE, RAPTOR	1
28	2390801	LANYARD, REMOTE	1
30	2371829	BRACKET,RMT DASH MNT HLDR	1
32	2375104	TAPE,MNTG,FOAM ULINE #S-10131	1
D	2774106	ASSEMBLY, MAIN PUMP STD 8' *8ft Standard*	1
E	2774105	ASSEMBLY, MAIN PUMP AA 8' *8ft AA*	1
F	2774107	ASSEMBLY, MAIN PUMP AA 10' *10ft AA*	1
G	2994156	TRANSMITTER ASM, RAPTOR	1
▲	2357141	INSTALL. INSTRUCTIONS,RPTR	1
▲	2357142	DISCLAIMER-DOWNLOAD,MANUAL	1
▲	2357140	MANUAL, RAPTOR ANCHOR	1
34	2358830	RAPTOR MOUNTING TEMPLATE	1
36	2354110	TAG, REMOTE, RAPTOR	1
38	2350200	CAP-FILL, RESERVOIR	1

\* Cette pièce est incluse dans un ensemble et ne peut pas être commandée individuellement.

▲ Non affiché sur le schéma des pièces.



# FACTEURS DE MONTAGE DE L'ANCRE

## FACTEURS DE MONTAGE >

### > Facteurs de montage de l'ancre

Minn Kota recommande le montage du Raptor directement sur le tableau arrière du bateau avec le support de montage intégré. Votre Raptor est livré avec toute la quincaillerie nécessaire pour le monter directement sur le tableau arrière. Le Raptor peut aussi être monté à l'aide d'une plaque d'adaptation en option, lorsque le montage direct au tableau arrière n'est pas possible ou désiré en raison d'obstructions ou de tableaux arrière à forme irrégulière. Pour de plus amples informations au sujet des supports adaptateurs universels et d'autres accessoires Minn Kota<sup>MD</sup> Raptor, veuillez visiter [minnkotamotors.com](http://minnkotamotors.com). Lors de l'utilisation d'un support adaptateur pour monter le Raptor, veuillez utiliser les instructions incluses avec l'accessoire.

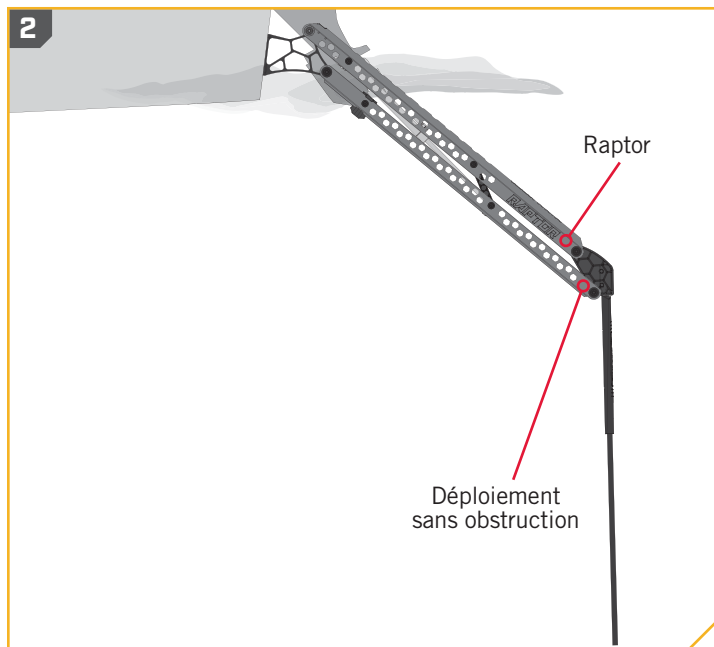
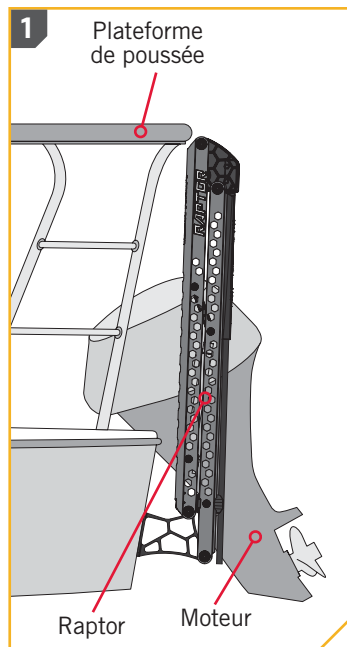
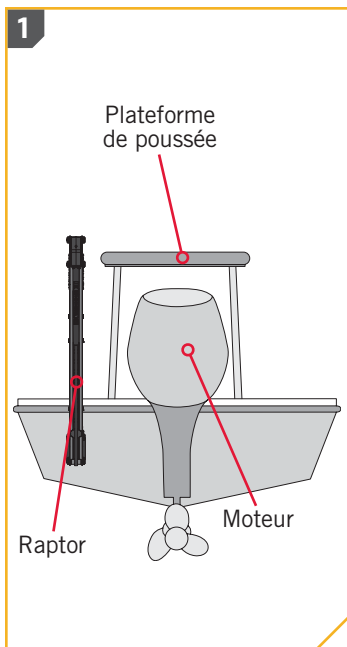
Afin d'utiliser l'installation par montage direct, les conditions suivantes doivent être respectées :

**1. Montage sans obstruction** - Lors de la sélection de l'emplacement de montage avec support de montage du Raptor, examiner le bateau afin de s'assurer de ne pas percer une obstruction et que la quincaillerie sera accessible pour l'assemblage. S'assurer que le tableau arrière est suffisamment fort pour accepter le Raptor, monté à l'endroit prévu.

**2. Déploiement et rétraction sans obstruction** - Le Raptor est conçu pour être monté soit sur le côté bâbord ou tribord du tableau arrière. Le Raptor doit avoir une voie claire, sans obstruction pour le déploiement. S'assurer que l'emplacement proposé permettra le déploiement et la rétraction de l'ancre sans heurter les volets, les plateformes de poussée, les échelles, le moteur ou d'autres obstructions. On devrait aussi tenir compte des méthodes de pêche lors de la sélection de l'emplacement de montage.



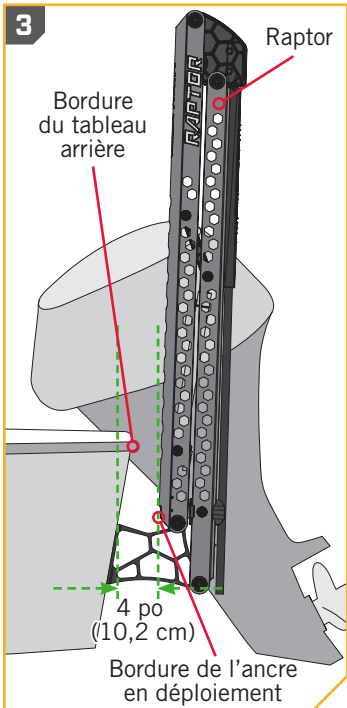
Consulter les accessoires disponibles pour votre Raptor à [minnkotamotors.com](http://minnkotamotors.com).



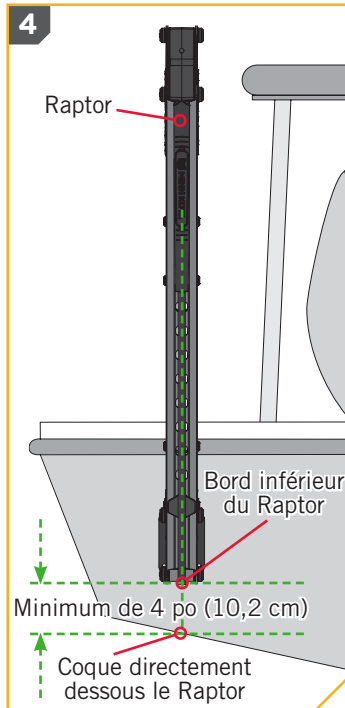
## ATTENTION

Suivre toutes les instructions et respecter toutes les consignes de sécurité. Minn Kota recommande de se faire aider par une deuxième personne pour l'installation. Ne pas suivre les instructions appropriées d'installation et de gréement pourrait entraîner des blessures. Le montage trop bas du Raptor peut entraîner trop de traînée du Raptor ou du support de montage lors du fonctionnement du bateau. Il est important de monter le Raptor selon les recommandations afin d'éviter des conditions de conduite non sécuritaire.

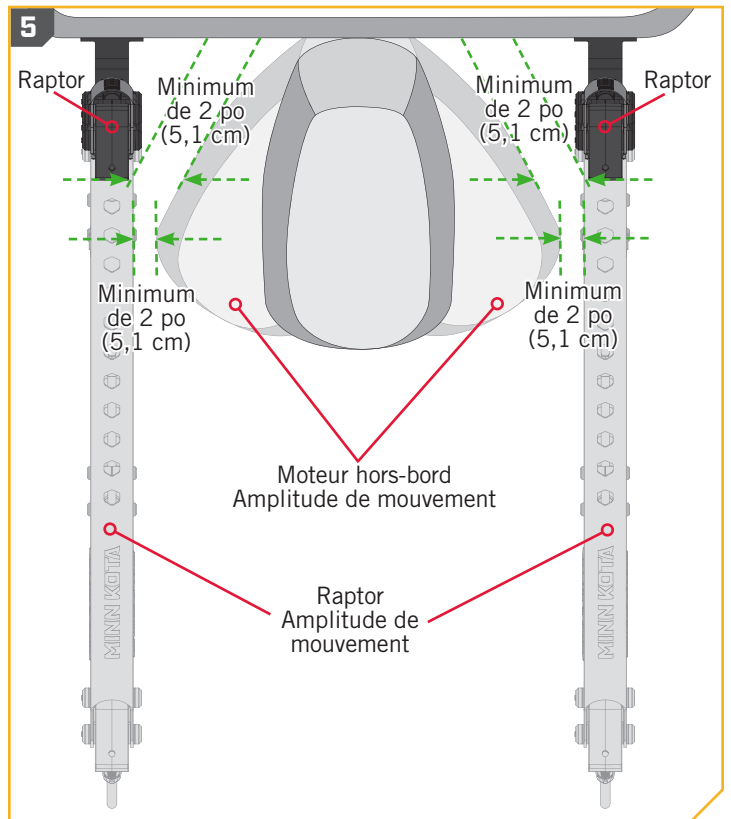
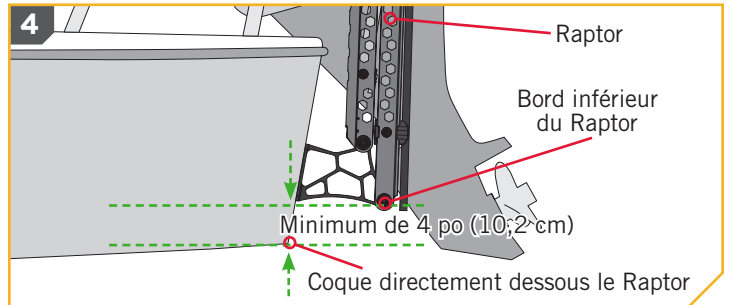
## FACTEURS DE MONTAGE DE L'ANCRE



**3. Dégageur du tableau arrière au Raptor** - Le support de montage Raptor inclus avec l'unité permettra un dégageur ou un retrait d'environ 4 po (10,2 cm) entre le tableau arrière et la bordure avant de l'ancre en déploiement.



**4. Dégageur du Raptor à la coque** - La bordure inférieure du Raptor ne devrait jamais être inférieure à 4 po (10,2 cm) au-dessus de la coque, directement sous le Raptor afin d'empêcher des conditions de jet d'eau ou de traînée.



**5. Dégageur du Raptor au moteur** - Lors de la sélection d'un emplacement de montage, s'assurer qu'il n'y a aucune interférence entre le Raptor et le moteur au cours du fonctionnement normal. Lorsque l'emplacement de montage est sélectionné, ajuster la compensation du moteur au maximum vers le haut et le bas, et tourner le moteur complètement vers la droite et la gauche pour confirmer le dégageur approprié du moteur. S'assurer qu'il y a un minimum de deux à trois pouces (5,1 à 7,6 cm) de dégageur de tout point du Raptor, dans toutes les positions d'arrimage et de déploiement.

Si ces conditions ne sont pas respectées, songer à une plaque d'adaptation en option de Minn Kota. Il existe plusieurs plaques d'adaptation qui permettent une plus grande ajustabilité du montage et qui permettent de plus grands dégageurs pour faire fonctionner le Raptor. Veuillez visiter [minnkotamotors.com](http://minnkotamotors.com) pour en apprendre davantage au sujet de la sélection et l'installation de la plaque d'adaptation.

**AVIS :** Dans certains cas, les fabricants de bateaux ont commencé à fabriquer des tableaux arrière vides sur les bateaux. Nous recommandons d'en discuter avec le détaillant local de bateaux ou le fabricant de l'équipement d'origine (FEO) pour des recommandations de montage.

**Relisez les facteurs de montage pour la pompe hydraulique et le cheminement des tuyaux avant l'installation de l'ancre au bateau.**

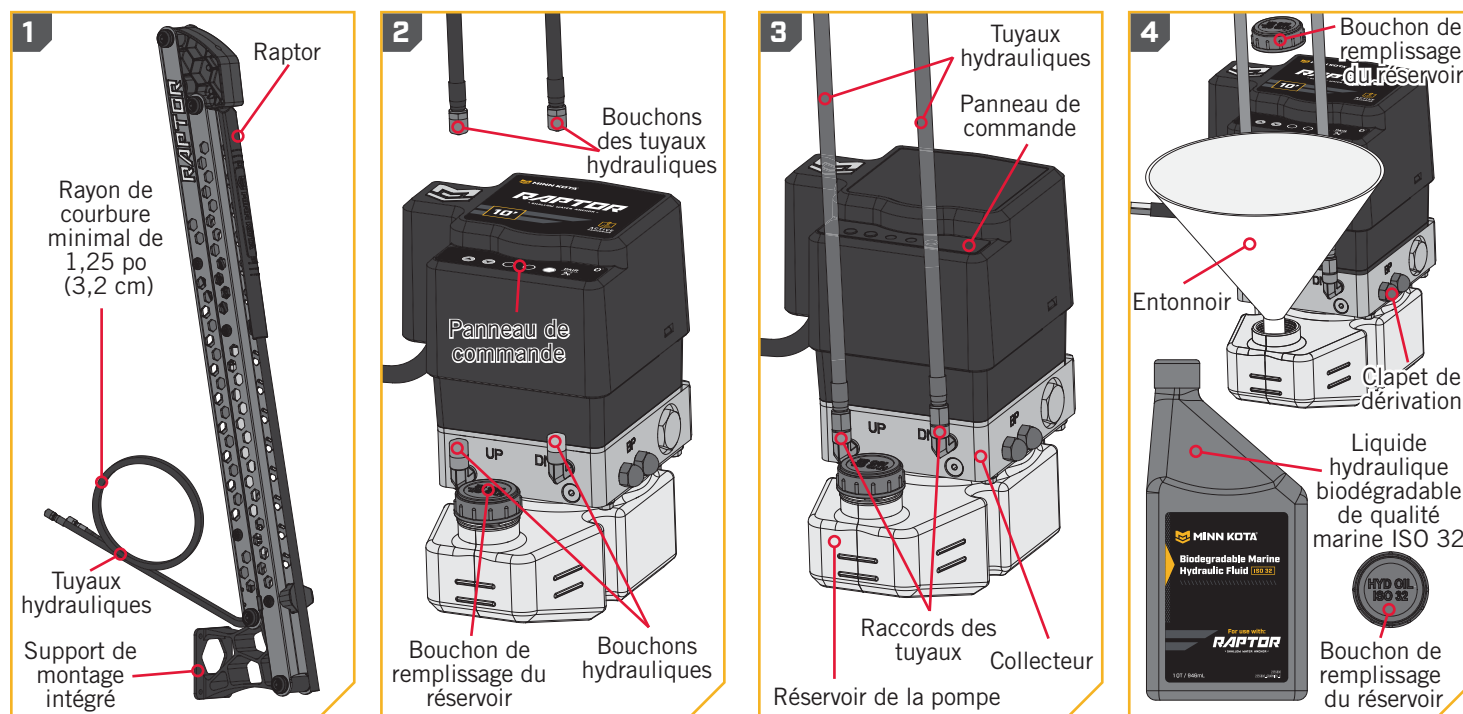
# FACTEURS DE MONTAGE DE LA POMPE HYDRAULIQUE

## Facteurs de montage de la pompe hydraulique

Minn Kota recommande la révision de tous les facteurs de montage pour la pompe hydraulique et le cheminement des tuyaux pour le Raptor afin d'assurer que toutes les circonstances sont prises en considération avant l'installation.

Afin de bien acheminer les tuyaux hydrauliques et monter la pompe hydraulique, veuillez songer à ce qui suit :

**1. Acheminement des tuyaux hydrauliques** - Les tuyaux hydrauliques sortent de l'ancre près du dessus du support de montage intégré et seront acheminés à la pompe hydraulique. Lors de la sélection de l'endroit du montage pour la pompe hydraulique, examinez le bateau afin d'assurer qu'on peut acheminer les tuyaux hydrauliques à l'emplacement prévu de montage de la pompe hydraulique. Les tuyaux peuvent être acheminés par-dessus ou à travers la coque du bateau. On recommande d'acheminer les tuyaux par un acheminement établi sur le bateau, comme celui des câbles principaux du moteur. Lors de l'acheminement dans une voie établie sur le bateau, comme le coffre du fabricant, etc., assurez-vous qu'ils sont bien installés et serrés à son état original lorsque l'installation est terminée. Lorsqu'il est nécessaire de percer des trous dans la coque, assurez-vous que l'endroit percé est libre d'obstructions qui pourraient endommager les conduits existants de gaz et d'électricité. Assurez-vous que les tuyaux ont suffisamment de jeu afin que l'ancre puisse être déployée et arrimée sans créer des points de pincement ou sans trop serrer le long de la voie pour les emplacements prévus de montage. Assurez-vous que les tuyaux ne passent pas par-dessus des surfaces ou des bordures tranchantes qui pourraient causer des abrasions au fil du temps. Assurez-vous que les tuyaux hydrauliques ne sont pas tordus ou pliés lors de l'acheminement dans le compartiment du bateau. Le rayon de courbure minimal pour l'acheminement des tuyaux est 1,25 po (3,2 cm). Les conduites hydrauliques doivent être acheminées loin des sources de chaleur. Il ne doit pas avoir de joints ou de connexions dans les conduites hydrauliques directement au-dessus des conduites d'évacuation ou de collecteurs à température élevée. Assurez-vous que les tuyaux acheminés ne créent pas un danger de trébuchement.



**2. Garder les conduites hydrauliques propres** - Durant l'installation, des précautions doivent être prises pour empêcher l'infiltration de matières étrangères dans les composants ou les conduites hydrauliques. Notez les bouchons noirs et verts sur les raccords des tuyaux sur la pompe hydraulique et les tuyaux électriques. Ne retirez pas prématurément les bouchons protecteurs des extrémités des tuyaux hydrauliques qui sortent de l'ancre ou des raccords de tuyaux sur l'assemblage de la pompe. Gardez le bouchon de remplissage en place sur le réservoir de la pompe à moins de remplir le réservoir, afin d'empêcher l'infiltration de saletés et de débris.

**3. Fixation des tuyaux** - Installez la pompe de façon à ce qu'il y ait de l'espace entre le compartiment ou les emplacements de montage, et la pompe pour y fixer les tuyaux. Les raccords des tuyaux se trouvent sur le collecteur de la pompe hydraulique, entre le réservoir de la pompe et le panneau de contrôle. Assurez-vous aussi que l'emplacement aura de la place pour permettre d'y passer les tuyaux et de garder un placement approprié des tuyaux qui les empêchera de plier ou tortiller.



# FACTEURS DE MONTAGE DE LA POMPE HYDRAULIQUE

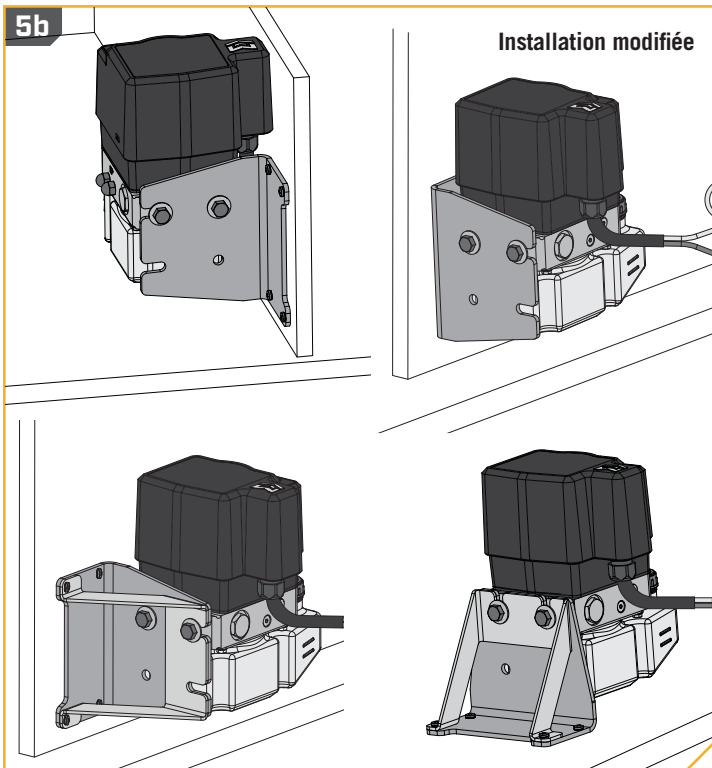
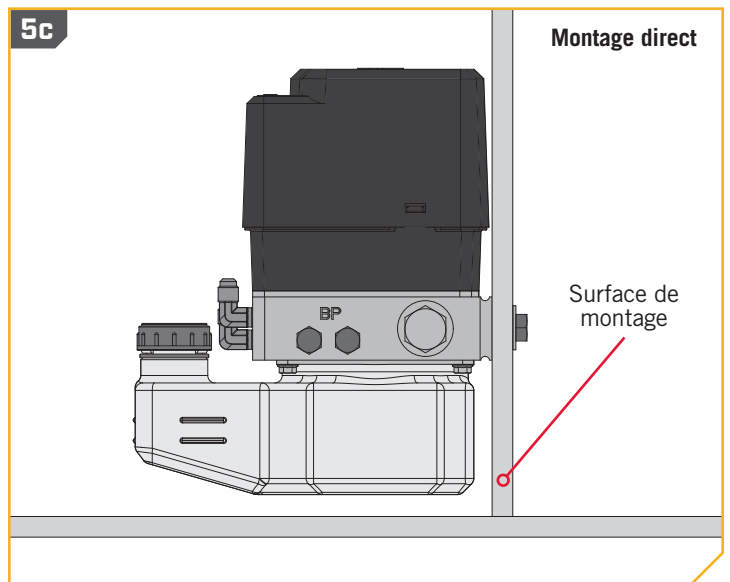
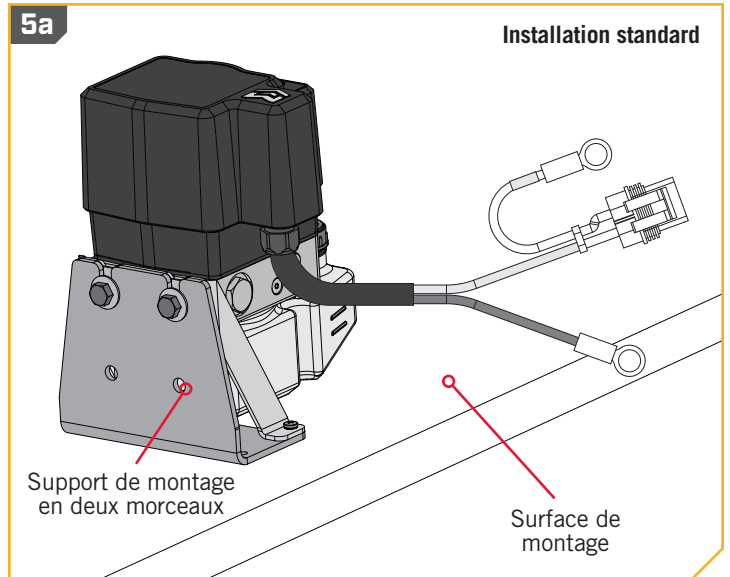
**4. Liquide hydraulique et accès pour le remplissage** - Assurez-vous que l'emplacement de montage permet le remplissage de la pompe avec du liquide hydraulique. Le capuchon de l'assemblage de la pompe doit être accessible pour remplir le réservoir de la pompe de liquide hydraulique. Assurez-vous que l'emplacement de l'installation permet l'accès avec un entonnoir ou un outil semblable pour remplir le réservoir. La pompe est remplie de liquide selon l'indication sur le capuchon rouge marqué « Hyd Oil ISO 32 » (huile hydraulique ISO 32). Du liquide hydraulique biodégradable de qualité marine ISO 32 (article no 2357700) est fourni pour l'installation.

**5. Montage sécurisé** -Montez la pompe dans un emplacement sécurisé, ou elle restera fixée à une surface rigide. Les composants hydrauliques doivent être sécurisés à la structure du bateau en tenant compte des forces potentielles transmises. On recommande de monter la pompe hydraulique avec le support de montage en deux morceaux qui est fourni. L'assemblage de la pompe doit être monté à la verticale. Si des ajustements au montage sont nécessaires, ajustez la position du support en deux morceaux en gardant l'assemblage de la pompe à la verticale. Assurez-vous qu'il y a suffisamment d'espace pour bien utiliser les outils nécessaires pour l'installation de la quincaillerie à l'emplacement prévu de montage. Assurez-vous que les tuyaux hydrauliques ne tordront et ne plieront pas lorsqu'ils sont fixés à la pompe. Les options de montage de la pompe incluent :

a. **Installation standard** - Montage de la pompe avec un support de montage en deux morceaux.

b. **Installation modifiée** - Montage de la pompe avec soit les deux morceaux du support de montage en deux morceaux, tournés pour répondre à vos besoins spécifiques de montage, ou simplement avec le support de montage de la pompe (article n° 20) seul, tourné pour répondre à vos besoins spécifiques de montage.

c. **Montage direct** - Montage de la pompe hydraulique directement à une structure sécurisée sur le bateau, sans utiliser un support.

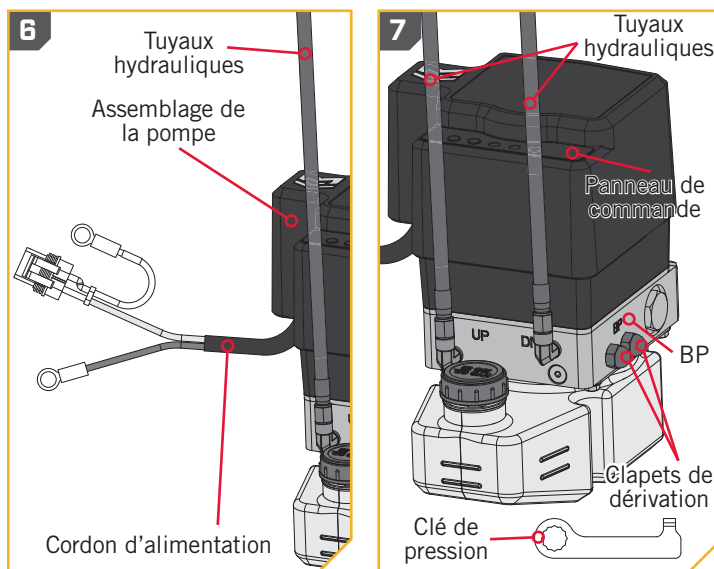


# FACTEURS DE MONTAGE DE LA POMPE HYDRAULIQUE

**6. Source d'alimentation** - Assurez-vous que le cordon d'alimentation peut se rendre à sa source d'alimentation prévue et ne sera pas un danger de trébuchement. On recommande de monter la pompe aussi près que possible de la source d'alimentation pour créer un acheminement de câbles le moins importun possible entre la pompe et la source d'alimentation.

**7. Accès à la dérivation** - Sur le côté du collecteur de la pompe hydraulique, il y a deux écrous borgnes qui couvrent les deux clapets de dérivation, si un arrimage d'urgence est nécessaire. La trousse d'installation comprend une clé de pression (article n° 2358800). Assurez-vous que l'emplacement d'installation permet un dégagement minimum de 1,5 po (3,8 cm) autour du « BP » sur le collecteur de la pompe pour accéder aux écrous borgnes et les clapets de dérivation dessous, et suffisamment d'espace pour utiliser la clé de pression. Rangez la clé de pression dans le bateau.

**8. Dégagement du réservoir** - Lors de la sélection de l'emplacement de montage, il peut être nécessaire de tourner la position du réservoir sur la pompe hydraulique pour tenir compte des emplacements serrés de montage. La pompe hydraulique est livrée avec le bouchon de remplissage du réservoir directement dessous les raccords des tuyaux hydrauliques sur le collecteur de la pompe. Le réservoir peut être tourné 90 degrés vers la droite ou la gauche afin que le bouchon de remplissage soit directement dessous le cordon d'alimentation, ou directement dessous les clapets de dérivation sur le collecteur pour répondre à diverses variabilités d'installation. Si vous devez tourner le réservoir de votre pompe, veuillez consulter la section « Rotation du réservoir de la pompe » de ces instructions.



**AVIS :** L'orientation du réservoir sur la pompe peut affecter la façon dont le support de montage en deux morceaux est utilisé.



## AVERTISSEMENT

Ne faites pas fonctionner la pompe hydraulique avant d'ajouter du liquide hydraulique. Faire fonctionner la pompe hydraulique sans liquide hydraulique peut endommager la pompe.

### OUTILS ET RESSOURCES NÉCESSAIRES >

- Perceuse
- Mèche de 5/16 po (8 mm)
- Clé polygonale ou à cliquet de 9/16 po (14,3 mm)
- Scellant de qualité marine
- Entonnoir
- Clé dynamométrique d'une capacité de 30 pi-lb (40 Nm)
- Ruban à masquer
- Poinçon ou autre outil de marquage semblable
- Une deuxième personne pour aider avec l'installation
- Mèche de 7/16 po (11,1 mm)
- Douille de puits profond de 5/16 po (7,9 mm) ou clé à cliquet de 5/16 po (7,9 mm)
- Mèche de 1/8 po (3,2 mm)
- Mèche de 3/4 po (19,1 mm)
- Composé antigrippage
- Mèche de 5/32 po (4 mm)
- Lime, papier sablé ou lime-émeri
- Embout Phillips n° 2
- Attache autobloquante

## INSTALLATION >

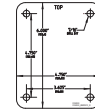
### > Installation du Raptor

1

#### ARTICLE(S) REQUIS



#A x 1

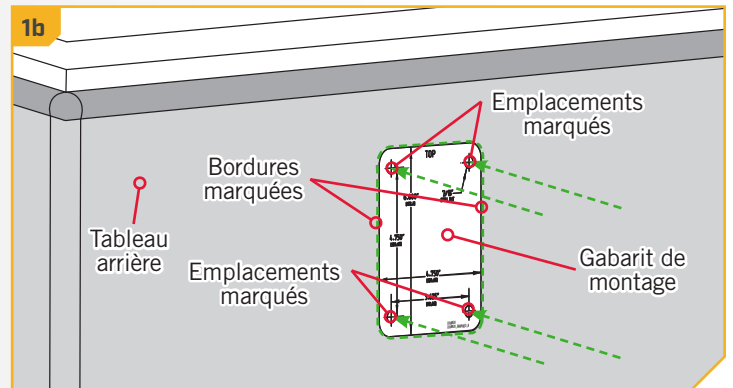
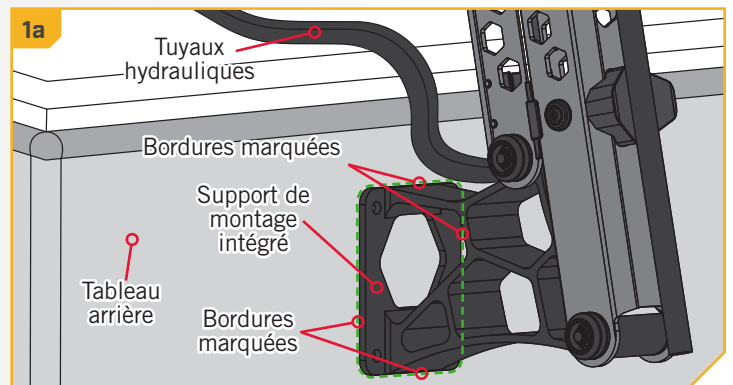


#34 x 1

- a. Relisez les facteurs de montage afin de déterminer s'il est acceptable d'effectuer un montage direct du support de montage du Raptor. Éloignez les tuyaux hydrauliques du support et à l'écart pour l'installation. Si acceptable, placez le support de montage intégré (article n° A) à l'emplacement sélectionné et marquez les trous de montage avec un crayon ou un outil de marquage semblable. Marquez au moins deux des quatre bordures et mettez le support de montage de côté.

**AVIS :** Le Raptor pèse environ 27 lb (12,2 kg). On recommande qu'une deuxième personne vous aide lors de l'installation.

- b. Avec le Raptor mis de côté, prenez le gabarit de montage (article n° 34) et placez-le le long des bordures marquées. Utilisez un niveau le long de la bordure du gabarit de montage, tournez la position du gabarit afin qu'il soit de niveau. Utilisez un poinçon ou un outil de marquage semblable et marquez les quatre trous de montage. Les quatre trous de montage sont utilisés pour l'installation du Raptor.

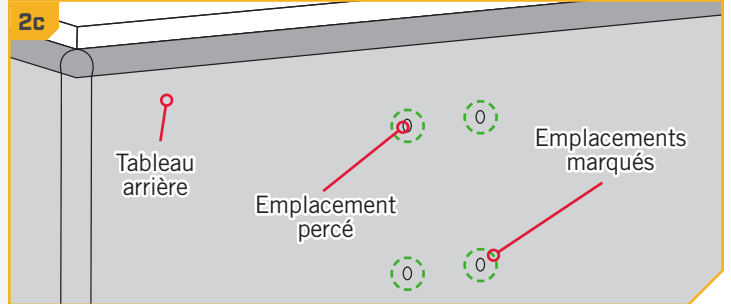


# INSTALLATION DU RAPTOR

2

- c. Revérifiez que l'emplacement de montage est dégagé pour percer les trous, ensuite utilisez une perceuse avec une mèche de 7/16 po (11,1 mm) pour percer le tableau arrière/la poupe du bateau aux emplacements marqués.

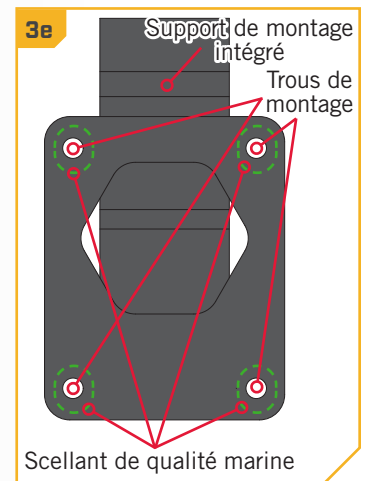
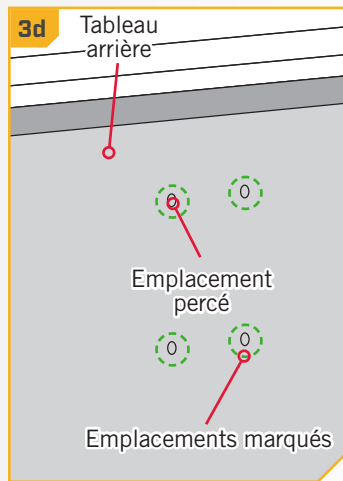
**AVIS :** Lorsque vous percez les trous dans la fibre de verre, il est utile de couvrir la surface de ruban à masquer. Cela empêchera d'érafler la surface du bateau et facilitera le nettoyage. Couvrez la surface, puis marquez l'emplacement à percer. Une fois les trous-guides percés, enlevez le ruban à masquer avant de poursuivre l'installation.



**AVIS :** Lors du perçage des trous marqués, s'assurer que la mèche est perpendiculaire au tableau arrière/à la poupe du bateau et que les trous sont percés droit. Ne pas percer les trous droits entraînera un mauvais ajustement de la quincaillerie de montage.

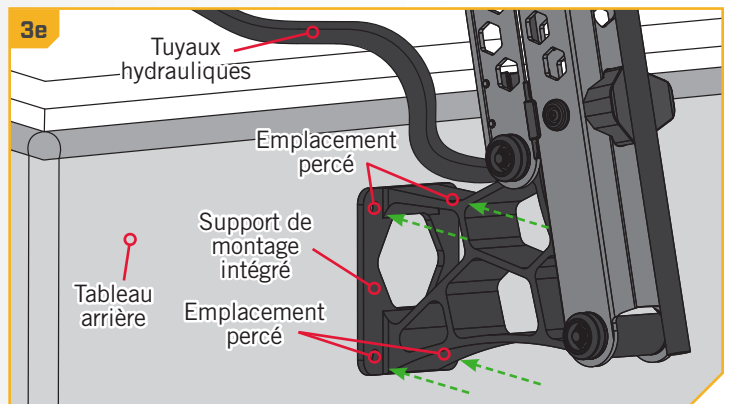
3

- d. Placer un cordon de 1/8 po (0,3 cm) de scellant de qualité marine sur le tableau arrière du bateau, autour des trous percés.
- e. Placer le scellant de qualité marine autour des trous de montage sur la surface du support de montage intégrée qui sera en contact avec le tableau arrière/la poupe du bateau, une fois monté. Garder le scellant centré approximativement entre la bordure extérieure du support de montage et les trous de montage. Lorsque le scellant est en place, aligner le support de montage dans l'orientation désirée avec les trous qui étaient percés dans le tableau arrière/la poupe. Assurez-vous que les tuyaux hydrauliques sont à l'écart pour installer la quincaillerie.



## **ATTENTION**

Ne pas utiliser le support de montage ni le Raptor comme marche pour embarquer dans le bateau. Le support sera glissant lorsque mouillé et n'est pas conçu pour soutenir des personnes. Utiliser ce produit comme marche peut entraîner des blessures.



## 4


### ARTICLE(S) REQUIS

⊙ #2 x 4

⊙ #4 x 4

⊙ #6 x 4

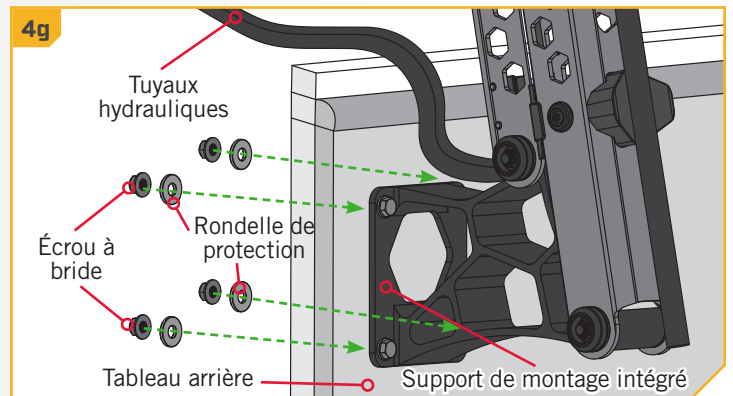
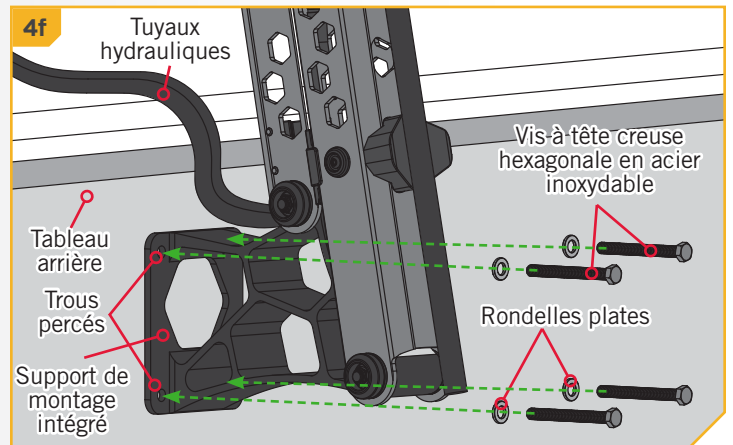
⊙ #8 x 4

 #10 x 1

- f. Prenez chacun des quatre boulons en acier inoxydable de 3 1/2 po (8,9 cm) (article n° 6) et placez une rondelle plate (article n° 2) dessus. Appliquez un produit antigrippant (article n° 10) à la quincaillerie. Placez une vis dans chacun des trous de montage de manière à passer dans le support de montage intégré et les trous percés du tableau arrière du bateau.
- g. Placez une rondelle de protection (article n° 4) sur l'extrémité de chaque vis à l'intérieur du tableau arrière, ensuite fixez chacun avec un écrou à bride (article n° 8). Appliquez un produit antigrippant au filetage avant de serrer. Serrez les boulons avec une clé polygonale ou à cliquet de 9/16 po (14,3 mm). Ne serrez pas trop. Serrez à 20 pi-lb (27,1 Nm). Revérifiez la quincaillerie de façon périodique pour vous assurer qu'elle est serrée.

**AVIS :** Pour prévenir le grippage de la quincaillerie en acier inoxydable, n'utilisez pas d'outils haute vitesse pour l'installation. Appliquez un produit antigrippant peut aider à prévenir le grippage.

**AVIS :** Si vous remplacez un Talon par un Raptor, NE RÉUTILISEZ PAS la quincaillerie de montage du Talon de 5/16 po (13,1 mm) à des fins de montage.



# ROTATION DU RÉSERVOIR DE LA POMPE

## › Rotation du réservoir de la pompe

Après avoir relu les facteurs de montage pour votre installation, vous avez peut-être identifié que le réservoir de l'assemblage de votre pompe doit être tourné. Si votre installation nécessite la rotation du réservoir de votre pompe, veuillez suivre les instructions ci-dessous. Si votre installation ne nécessite pas une rotation du réservoir de la pompe, veuillez consulter la section « Installation de la pompe électrique » de ces instructions.

1

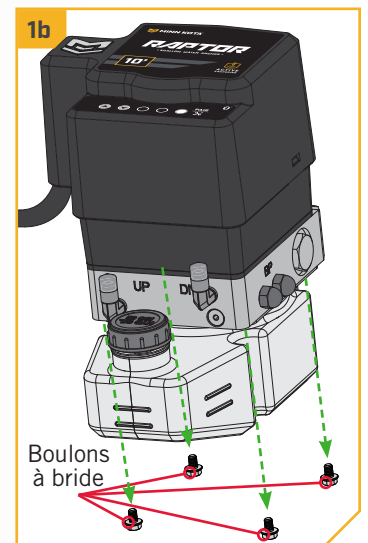
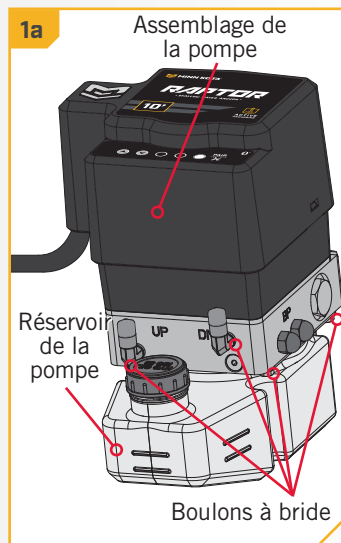
### ARTICLE(S) REQUIS



#D, E, ou F x 1

- Prenez l'assemblage de la pompe (assemblage D, E ou F) et identifiez les quatre boulons à bride qui tiennent le réservoir de la pompe en place sur l'assemblage de la pompe.
- À l'aide d'une clé à douille profonde de 5/16 po (8 mm) ou une clé à cliquet de 5/16 po (8 mm), retirez les quatre boulons à bride et mettez-les de côté.

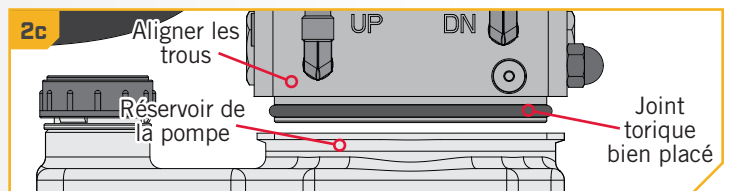
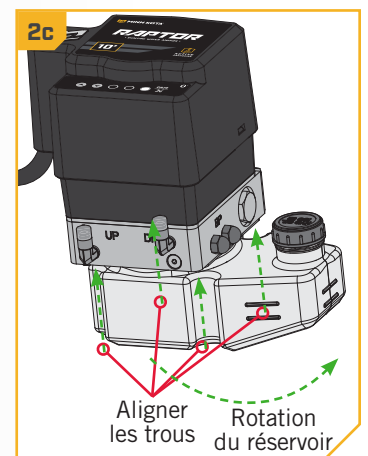
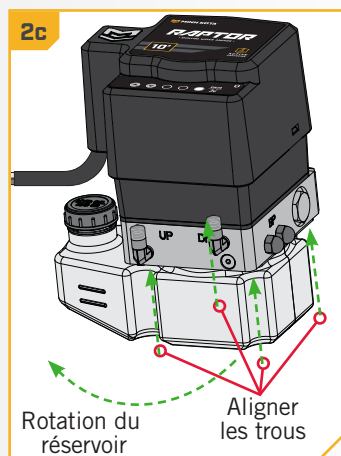
**AVIS :** Ne tirez pas sur le réservoir de la pompe pour le retirer de l'assemblage de la pompe. On recommande de tourner le réservoir de la pompe en place pour garder un joint bien scellé entre les composants de la pompe.



2

- Déterminez dans quelle direction le réservoir de la pompe sera tourné. En tenant fermement le dessus de l'assemblage de la pompe, tournez le réservoir de la pompe dans sa nouvelle direction. Terminez la rotation en vous assurant que les trous dans le réservoir de la pompe sont alignés avec les trous pour le boulon à bride.

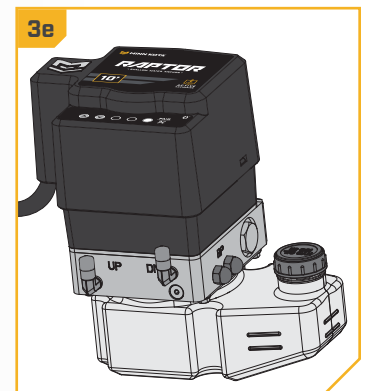
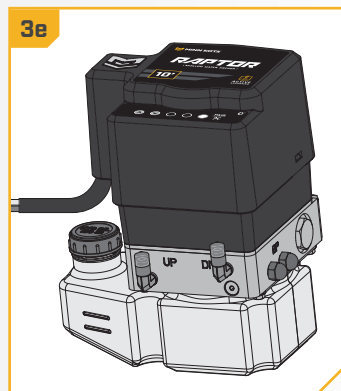
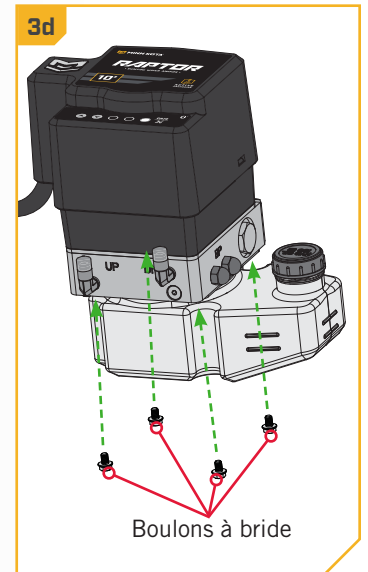
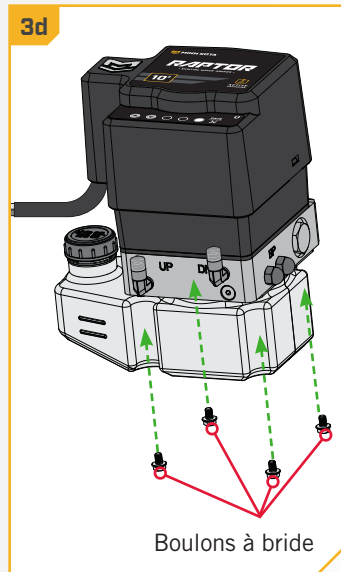
**AVIS :** Si le réservoir de la pompe se détache de l'assemblage de la pompe, assurez-vous que le collecteur de la pompe est bien placé dans la rainure le long de l'assemblage. Si le réservoir doit être remis en place sur l'assemblage de la pompe, assurez-vous que le joint torique n'est pas pincé entre les pièces. Un joint mal placé entre les composants affectera le fonctionnement de la pompe.



## ROTATION DU RÉSERVOIR DE LA POMPE

3

- d. Avec le réservoir de la pompe tourné et bien placé, utilisez une clé à douille profonde de 5/16 po (8 mm) ou une clé à cliquet de 5/16 po (8 mm) pour remplacer les quatre boulons à bride. Serrez à un couple de 12 po-lb (1,4 Nm).
- e. Avec les boulons à bride remis en place, continuez l'installation de la pompe hydraulique.



# INSTALLATION DE LA POMPE HYDRAULIQUE

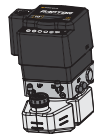
## Installation de la pompe hydraulique

Relisez les facteurs de montage juste avant l'installation. S'il est nécessaire de tourner l'assemblage de la pompe, consultez la section « Rotation de l'assemblage de la pompe » de ces instructions. Lorsque vous êtes prêt à installer la pompe, suivez les directions ci-dessous.

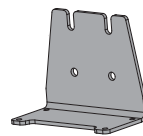
**AVIS :** L'installation de l'assemblage de votre pompe peut varier de l'installation standard. Relisez les facteurs de montage pour les variations de montage.

1

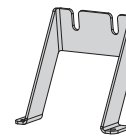
### ARTICLE(S) REQUIS



#D, E, ou F x 1



#20 x 1



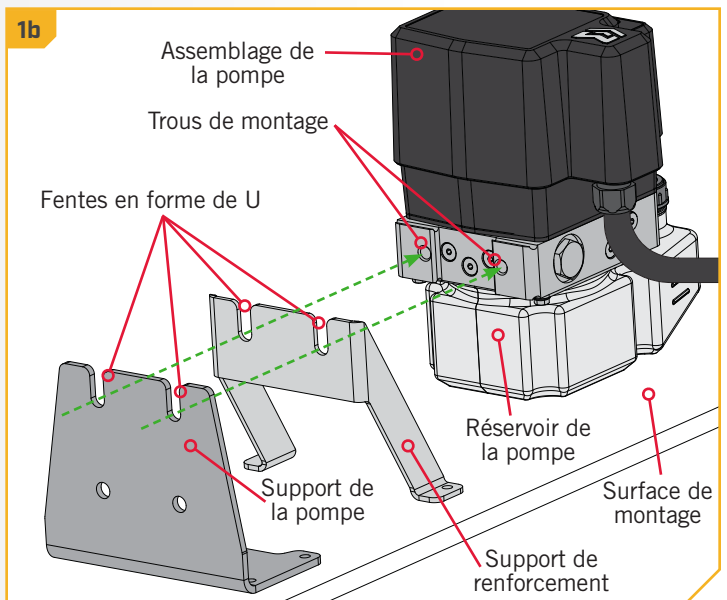
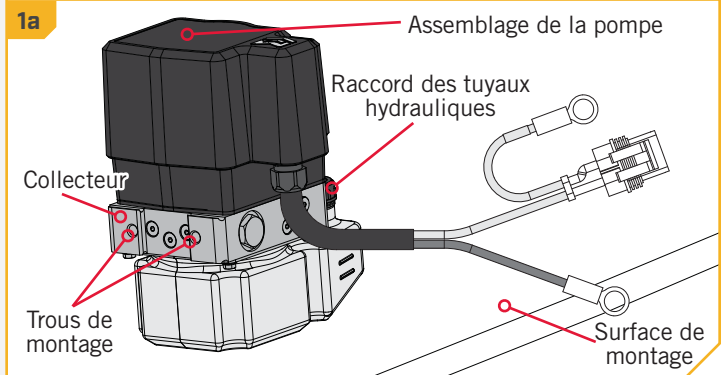
#22 x 1



## ATTENTION

Évitez le risque de décharge électrique. Ne connectez pas l'assemblage de la pompe à une source d'alimentation avant l'installation.

- Prenez l'assemblage de la pompe (assemblage D, E, F) et identifiez les deux trous de montage sur le collecteur. Les trous de fixation sont sur le côté opposé aux raccords en laiton coloré des tuyaux hydrauliques de la pompe. Positionnez l'assemblage de la pompe à l'emplacement de montage prévu. Relisez les facteurs de montage et assurez-vous que l'emplacement sélectionné est acceptable.
- Le support de montage en deux morceaux comprend le support de la pompe (article n° 20) et le support de renforcement (article n° 22). Pour une installation standard, le support de renforcement est placé dessus le support de la pompe avec les fentes en forme de U alignées. Prenez le support de montage en deux morceaux et alignez les fentes en forme de U.
- Glissez ensemble le support de la pompe et le support de renforcement, ensuite glissez l'assemblage de la pompe dans le support. Les côtés inclinés du support de renforcement logent de chaque côté du réservoir de la pompe dans une installation standard. Relisez les facteurs de montage et positionnez l'assemblage de la pompe avec le support en deux morceaux dans l'emplacement prévu de montage.



**AVIS :** Si le réservoir de la pompe est tourné pour l'installation, il ne sera pas possible d'installer le support de renforcement. La position du support de la pompe peut varier pour votre installation selon les conditions indiquées dans les facteurs de montage.

**AVIS :** L'assemblage de la pompe peut être monté à la verticale. Si des ajustements du montage sont nécessaires, tournez la position du support en deux morceaux pour tenir compte de la nécessité de garder la pompe à la verticale.



# INSTALLATION DE LA POMPE HYDRAULIQUE

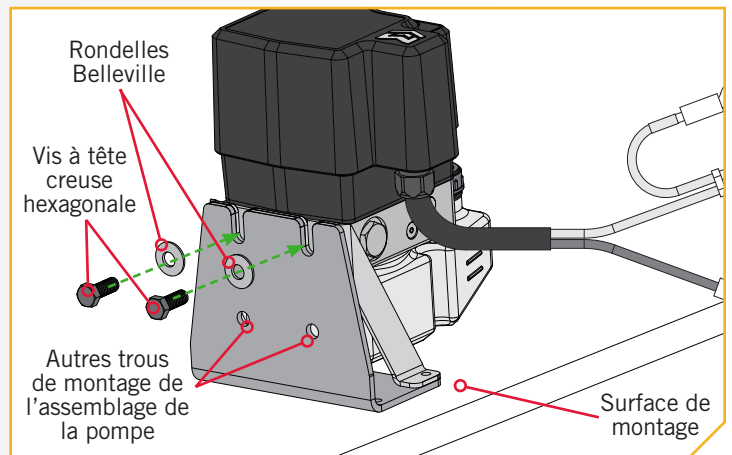
2

## ARTICLE(S) REQUIS

 #16 X 2

 #12 X 2

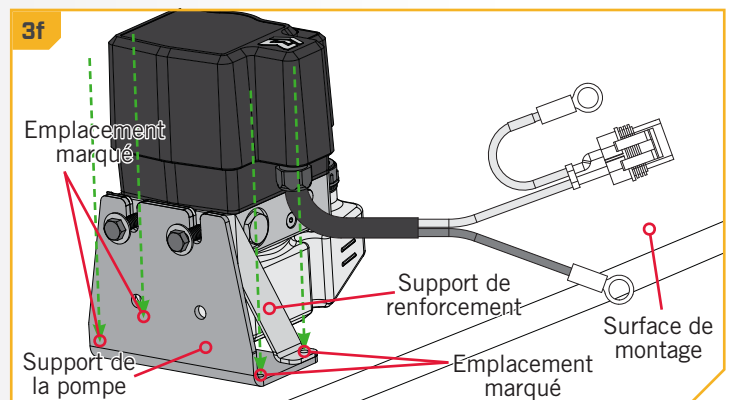
- d. Les fentes en forme de U sur le support de montage permettent pour l'ajustabilité entre la pompe et le support de montage. Prenez les deux vis à tête creuse hexagonale (article n° 16) et placez une rondelle Belleville de 3/8 po (9,5 mm) (article n° 12) sur chacune. Les vis à tête creuse hexagonale tiendront la pompe en place le long des fentes en U. Insérez les boulons avec les rondelles afin qu'ils soient partiellement installés dans les trous de montage de la pompe. Les rondelles devraient être à l'extérieur du support de montage, le plus éloigné possible de l'assemblage de la pompe sur les vis. Serrez manuellement ou utilisez une clé de 9/16 po (14,3 mm), jusqu'à ce que les boulons soient en place. Il peut être plus facile d'installer d'abord les vis et les rondelles, ensuite abaissez l'assemblage de la pompe pour placer les fentes en forme de U sur les supports, assurez-vous que la rondelle est plus près de la tête de la vis.
- e. Une fois partiellement installée, vérifiez l'emplacement de montage et déterminez la position finale de l'assemblage de la pompe et du support de montage à l'emplacement prévu de montage.



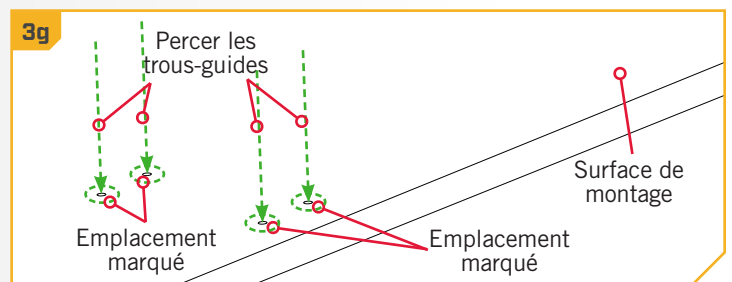
**AVIS :** Les fentes en forme de U et les trous plus grands sur le support de la pompe peuvent servir pour monter l'assemblage de la pompe au support. Les trous utilisés dépendront des circonstances individuelles de montage.

3

- f. Une fois positionné, prenez un stylo ou un autre outil semblable de marquage, et marquez la surface de montage, où le support de renforcement et le support de la pompe se chevauchent au trou de montage, de chaque côté du réservoir de la pompe. Marquez aussi les trous inférieurs du support de la pompe. On recommande de marquer les quatre trous de montage dans le support de montage.
- g. Mettez l'assemblage de la pompe de côté et utilisez une perceuse avec une mèche de 1/8 po (3,2 mm) pour percer des trous de montage sur la surface de montage aux repères.



**AVIS :** Lorsque vous percez les trous, surtout dans la fibre de verre, il est utile de couvrir la surface de ruban à masquer. Utilisez une mèche de 5/32 po (4 mm) pour percer la fibre de verre pour les trous-guides. Le ruban à masquer empêchera d'érafler la surface du bateau et facilitera le nettoyage. Couvrez la surface, puis marquez l'emplacement à percer. Une fois les trous-guides percés, enlevez le ruban à masquer avant de poursuivre l'installation.



# INSTALLATION DE LA POMPE HYDRAULIQUE

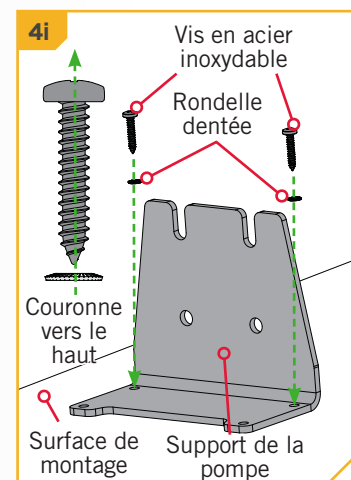
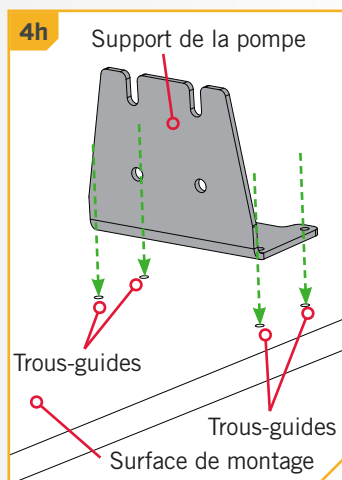
## 4

### ARTICLE(S) REQUIS

○ #14 X 2

🔩 #18 X 2

- h. Remplacez le support de la pompe seulement et alignez les trous de montage avec les trous-guides.
- i. Prenez deux vis en acier inoxydable de 1 po (2,5 cm) (article n° 18) et deux rondelles taillées (article n° 14). Placez une rondelle sur l'extrémité de chaque vis afin que la couronne de la rondelle soit tournée vers la tête de la vis. Installez les vis à l'aide de la perceuse et une mèche cruciforme n° 2. Les vis devraient passer dans les rondelles taillées et le support de la pompe, ensuite dans la surface de montage.



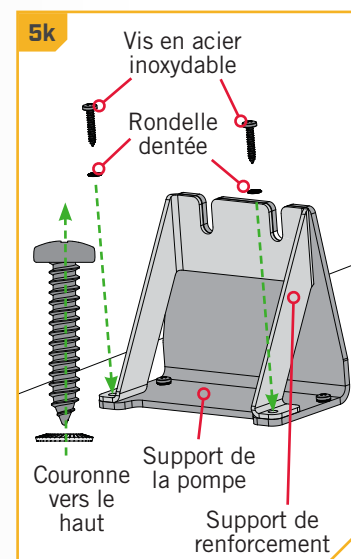
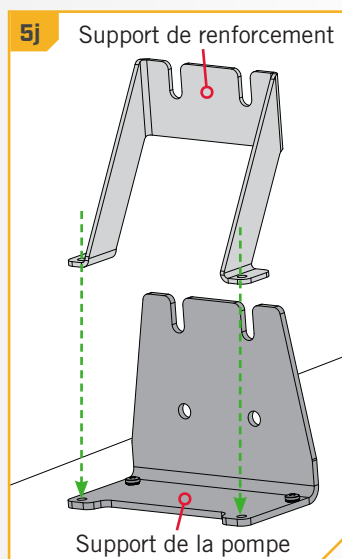
## 5

### ARTICLE(S) REQUIS

○ #14 X 2

🔩 #18 X 2

- j. Avec les deux vis installées, remplacez le support de renforcement sur le support de la pompe afin que les trous de montage soient à nouveau alignés.
- k. Prenez les deux autres vis en acier inoxydable de 1 po (2,5 cm) (article n° 18) et les deux autres rondelles taillées (article n° 14). Placez une rondelle sur l'extrémité de chaque vis afin que la couronne de la rondelle soit tournée vers la tête de la vis. Installez les vis avec une perceuse et une mèche cruciforme n° 2 dans les trous qui chevauchent du support de montage en deux morceaux. Les vis devraient passer dans les rondelles taillées, le support de renforcement, le support de la pompe, ensuite dans la surface de montage.



**AVIS :** Si le réservoir de la pompe est tourné pour l'installation, il ne sera pas possible d'installer le support de renforcement. Pour terminer l'installation, on recommande d'utiliser les quatre vis en acier inoxydable et les quatre rondelles dentées pour sécuriser le support de la pompe à la surface de montage.

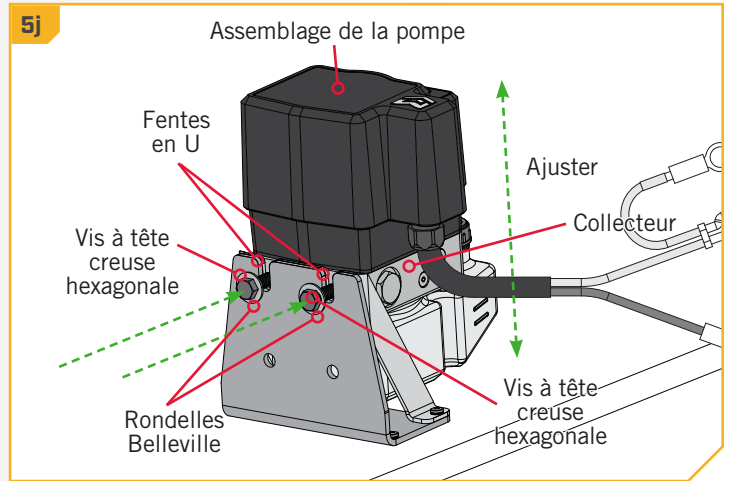
## INSTALLATION DE LA POMPE HYDRAULIQUE

6

- I. Avec le support de montage en deux morceaux complètement installé, remplacez l'assemblage de la pompe sur le support de montage. Assurez-vous que les rondelles Belleville sont bien placées entre les têtes de vis et le support de montage. L'assemblage de la pompe est sécurisé au support de montage en serrant les vis à tête creuse hexagonale qui ont été installées au préalable sur le collecteur.
- m. Glissez l'assemblage vers le haut ou le bas dans les fentes en forme de U pour trouver la position qui convient mieux à votre installation. Une fois satisfait de la position, serrez la quincaillerie avec une clé de 9/16 po (14,3 mm) à 12 pi-lb (16,2 Nm).

**AVIS :** Lors du montage direct de l'assemblage de la pompe, on utilise seulement les deux vis à tête creuse hexagonale pour l'installation. Lors du montage direct de l'assemblage de la pompe, utilisez une perceuse avec une mèche de 7/16 po (11,1 mm) pour percer les trous-guides dans l'emplacement de montage. Sécurisez l'assemblage de la pompe en plaçant une rondelle Belleville sur chaque vis. Passez ensuite la vis dans la surface de montage et les trous de montage dans le collecteur de l'assemblage de la pompe.

5j



7

### ARTICLE(S) REQUIS



#26 X 1

- n. Prenez la clé de pression (article n° 26) et rangez-la dans un endroit sûr sur le bateau. La clé de pression est seulement nécessaire si la pression doit être libérée dans le système hydraulique. Pour en savoir plus, consultez le manuel du propriétaire.

# INSTALLATION DES TUYAUX HYDRAULIQUES

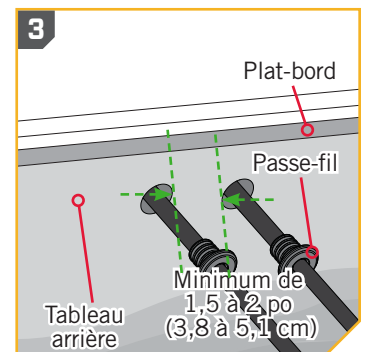
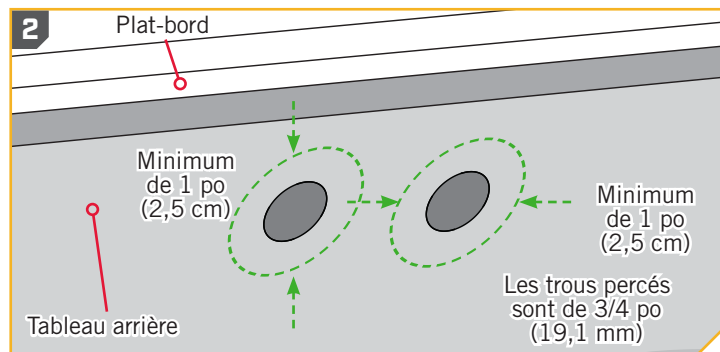
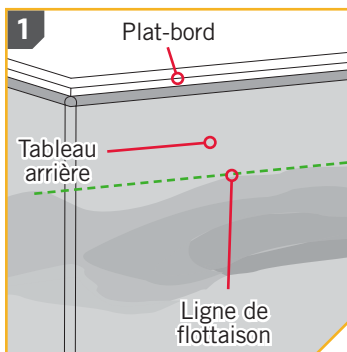
## Installation des tuyaux hydrauliques

Relisez les facteurs de montage au début de l'installation, ensuite repérez les tuyaux hydrauliques fixés au Raptor. Il y a un capuchon vert sur un des tuyaux, qui est désigné comme étant le tuyau qui contrôle la fonction de monter/rétracter. Le tuyau avec le capuchon noir est désigné pour la fonction de descendre/déployer. Le tuyau avec le capuchon noir (DOWN/descente) dépasse le Raptor en raison de sa position de montage à l'intérieur du Raptor. **Déterminez si les tuyaux hydrauliques peuvent être acheminés dans une voie établie sur le bateau pour se rendre à la pompe hydraulique.** Les tuyaux hydrauliques mesurent 15 pi (4,6 m). S'il vous faut des tuyaux plus longs pour votre installation, Minn Kota recommande la trousse d'extension de tuyau hydraulique Raptor n° 2771401. Si des trous doivent être percés pour fournir un acheminement approprié pour l'emplacement d'installation des composants connectés, veuillez tenir compte de ce qui suit :

**1. Au-dessus de la ligne d'eau** - Lors du perçage de trous pour acheminer les tuyaux hydrauliques à travers la coque, le tableau arrière ou une autre structure appropriée du bateau, assurez-vous que les trous sont percés au-dessus de la ligne d'eau, lorsque le bateau est dans l'eau.

**2. Dégagement minimum** - On recommande de placer les trous à au moins 1 po (2,5 cm) de toute obstruction afin de permettre l'installation complète du passe-fil. Cela pourrait inclure des changements structuraux à l'emplacement sélectionné, comme les coutures ou les supports structuraux, et la présence de toute quincaillerie, comme les échelles, les supports et les accessoires existants.

**3. Espace entre les trous** - Deux trous séparés devront être percés pour les tuyaux hydrauliques. Chaque tuyau a un passe-fil en caoutchouc. L'intention est d'utiliser le passe-fil pour couvrir l'espace entre le tuyau et le tableau arrière, où les trous sont percés. Afin de permettre l'espace pour les tuyaux et un joint approprié sur le passe-fil, percer les trous à une distance de 1,5 à 2 po (3,8 à 5,1 cm) l'un de l'autre.



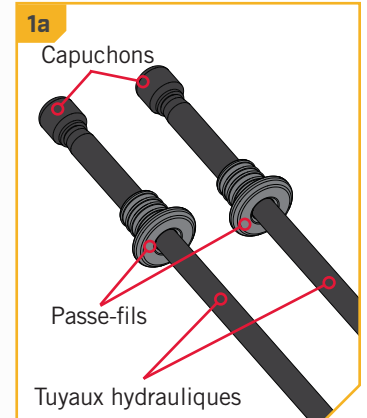
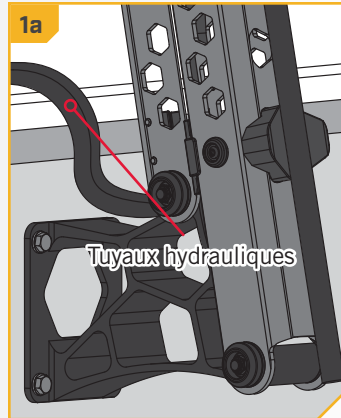
## AVERTISSEMENT

- Utilisez seulement un tuyau hydraulique approuvé par Johnson Outdoors avec le Raptor. L'utilisation de composants hydrauliques non approuvés peut entraîner des dommages, un fonctionnement inattendu ou des blessures.
- Ne laissez pas les tuyaux être pincés, tordus, roulés, écrasés ou pliés d'une façon qui bloque ou réduit le débit du liquide à l'intérieur. Le rayon de courbure minimal pour les tuyaux hydrauliques est 1,25 po (3,2 cm).
- Ne serrez pas trop les raccords hydrauliques.

# INSTALLATION DES TUYAUX HYDRAULIQUES

1

- a. Repérez les tuyaux hydrauliques qui sortent du Raptor et notez le passe-fil sur chaque tuyau. Si les tuyaux hydrauliques sont attachés en rond, il peut être nécessaire de couper l'attache autobloquante avec des outils ou un outil semblable, et débarrasser les tuyaux. Il y a un capuchon vert sur un des tuyaux, qui est désigné comme étant le tuyau qui contrôle la fonction de monter/rétracter. Le tuyau avec le capuchon noir est désigné pour la fonction de descendre/déployer.



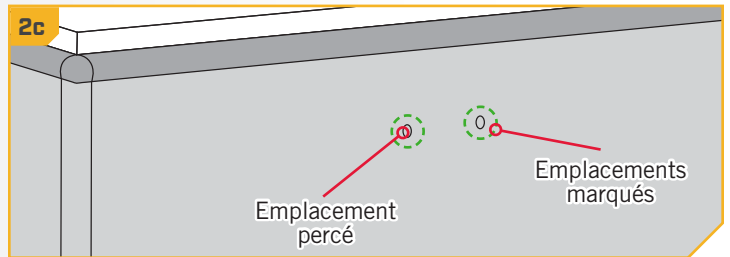
## ATTENTION

Ne retirez pas les capuchons noir et vert de l'extrémité des tuyaux hydrauliques à moins d'instruction contraire. Gardez les capuchons en place jusqu'au besoin de les retirer gardera les conduites hydrauliques propres. La saleté dans le liquide hydraulique peut affecter le fonctionnement hydraulique.

**AVIS :** Lors de l'acheminement du tuyau hydraulique dans un système d'acheminement établi sur le bateau, les passe-fils peuvent être retirés.

2

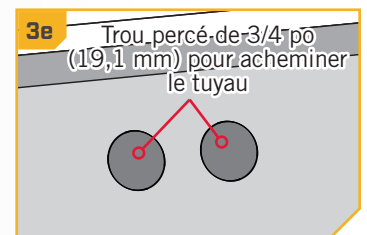
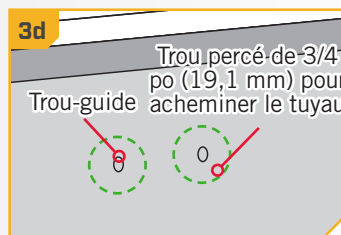
- b. Relisez les facteurs d'installation pour les tuyaux au début de la section d'installation. Sélectionnez, mesurez et marquez l'emplacement sur le bateau qui sera percé pour l'acheminement des tuyaux hydrauliques à l'aide d'un outil de mesure et un stylo ou un outil de marquage semblable.
- c. Assurez-vous que l'endroit percé est libre pour y percer des trous et tirez les tuyaux hydrauliques de côté afin qu'ils ne bloquent pas l'accès et pour libérer l'emplacement marqué. Prenez une perceuse avec une mèche de 5/16 po (7,9 mm), puis percez quatre trous-guides dans les emplacements marqués.



**AVIS :** Lorsque vous percez les trous dans la fibre de verre, il est utile de couvrir la surface de ruban à masquer. Utilisez une mèche de 5/16 po (7,9 mm) pour percer la fibre de verre pour les trous-guides. Le ruban à masquer empêchera d'érafler la surface du bateau et facilitera le nettoyage. Couvrez la surface, puis marquez l'emplacement à percer. Une fois les trous-guides percés, enlevez le ruban à masquer avant de poursuivre l'installation.

3

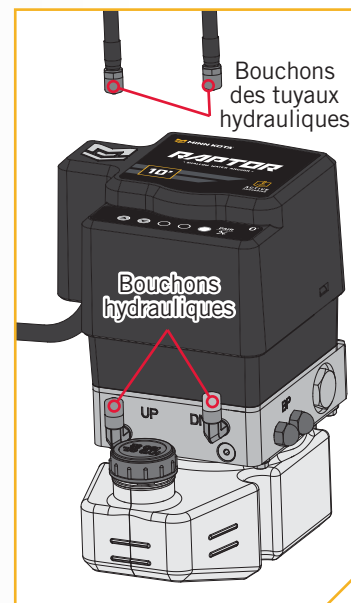
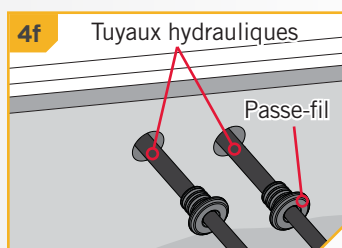
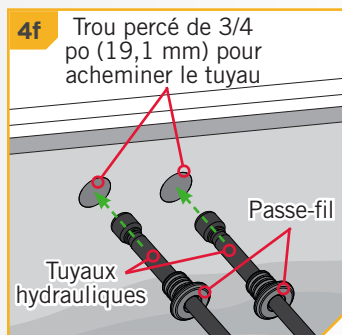
- d. Une fois les trous-guides percés, utilisez une perceuse avec une mèche de 3/4 po (19,1 mm) dans chaque trou-guide de 5/16 po (7,9 mm). Les trous finaux pour l'acheminement des tuyaux devraient avoir un diamètre de 3/4 po (19,1 mm).
- e. Utilisez une lime, du papier sablé ou une lime-émeri pour lisser les bords du trou percé qui touchent les tuyaux hydrauliques et pour faciliter le placement des passe-fils.



# INSTALLATION DES TUYAUX HYDRAULIQUES

4

- f. Prenez les tuyaux hydrauliques, avec les capuchons noir et vert toujours en place, et insérez un tuyau dans chaque trou percé. Au besoin, glissez les passe-fils vers l'arrière afin que le tuyau hydraulique ait suffisamment de jeu de l'autre côté de l'emplacement percé pour se rendre à l'assemblage de la pompe.
- g. Acheminez la majorité de la longueur des tuyaux hydrauliques dans la coque afin que chaque tuyau puisse être fixé aux raccords des tuyaux hydrauliques sur l'assemblage de la pompe. Lorsque vous tirez les tuyaux à travers la coque, assurez-vous que les tuyaux ne se tordent pas. La majorité du tuyau devrait être acheminé dans le bateau, mais laissez suffisamment de jeu à l'extérieur de la coque pour permettre le déploiement de l'ancre sans tirer le tuyau, mais pas trop de jeu que cela causerait une torsion des tuyaux. Retournez ensuite les tuyaux hydrauliques et les passe-fils à l'endroit percé.

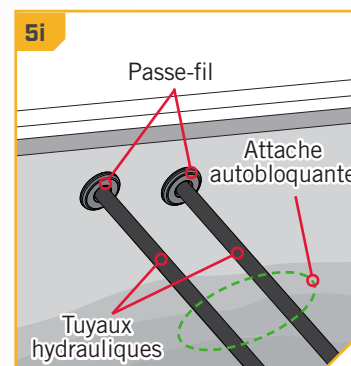
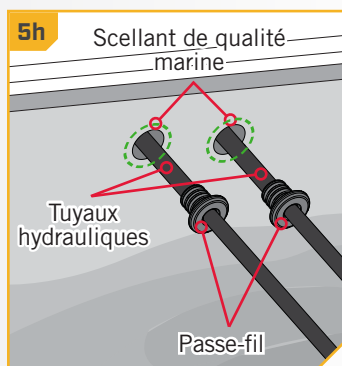


## ⚠ ATTENTION

Évitez le risque de décharge électrique. Ne connectez pas l'assemblage de la pompe à une source d'alimentation lors de l'installation des tuyaux.

5

- h. Avec les tuyaux acheminés à l'assemblage de la pompe, la surface de montage devrait être scellée. Pour sceller l'espace autour du passe-fil et terminer l'installation, appliquez d'abord un ruban de 1/8 po (3,2 mm) de scellant de qualité marine autour de chaque trou percé. Le scellant devrait être raisonnablement proche du bord du trou afin qu'il soit sous le bord du passe-fil lorsqu'il est mis en place.
- i. Lorsque le scellant est appliqué, mettez en place les passe-fils afin qu'ils soient logés contre la surface de montage. Lorsque l'acheminement des tuyaux est terminé, on recommande de fixer ensemble et lâchement les tuyaux hydrauliques avec une attache autobloquante (article n° 36) entre l'ancre et le point d'entrée principal sur le bateau afin de garder l'acheminement des tuyaux propre.



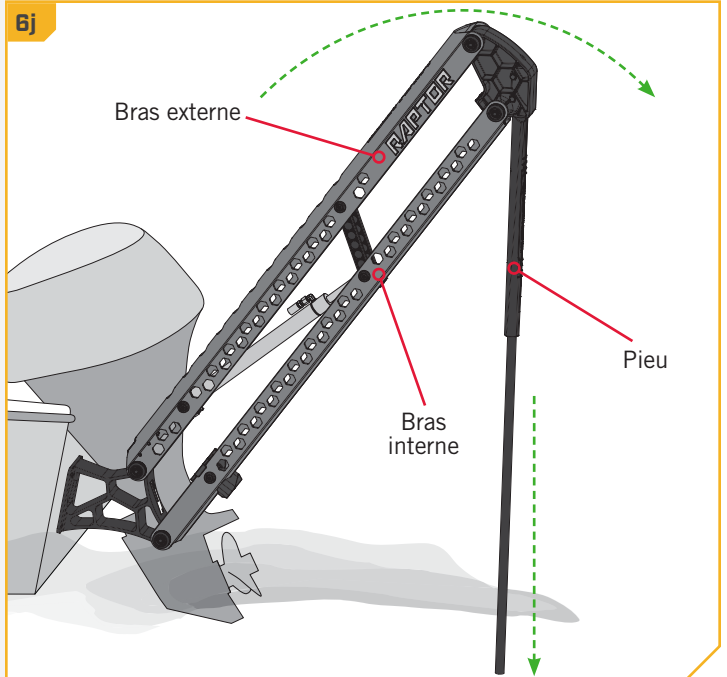
## INSTALLATION DES TUYAUX HYDRAULIQUES

6

- j. Avec les tuyaux hydrauliques et les passe-fils installés, demandez l'aide d'une autre personne pour abaisser soigneusement le Raptor afin que le pieu soit sur le sol. Surveillez les points de pincement en abaissant l'ancre et assurez-vous que l'ancre est libre d'obstructions ou de personnes avant de l'abaisser au sol.

### ⚠ ATTENTION

Assurez-vous que le Raptor est à l'écart d'obstacles et de personnes lors de la rétractation. Les espaces entre le bras externe, le bras interne, le pieu et les supports du Raptor peuvent créer un point de pincement. Évitez tout contact avec un endroit du Raptor qui peut causer un point de pincement lorsqu'il est en mouvement dans toute direction, afin d'éviter le risque.

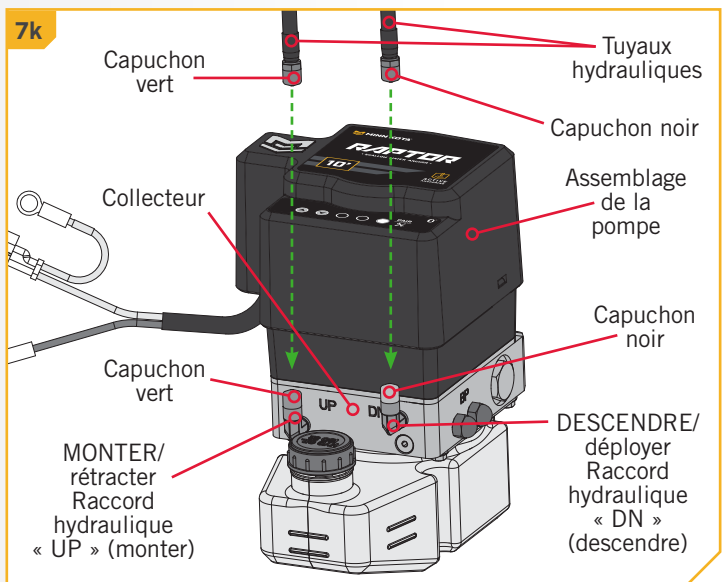


7

- k. Retournez aux tuyaux acheminés et aux raccords hydrauliques sur l'assemblage de la pompe. Le raccord hydraulique avec le capuchon vert sur le collecteur correspond à la fonction monter/rétracter. Il est marqué sur le collecteur avec « UP » (monter). Le raccord hydraulique avec le capuchon noir sur le collecteur correspond à la fonction descendre/déployer. Le raccord hydraulique est marqué sur le collecteur avec « DN » (descendre). Le tuyau hydraulique avec le capuchon vert concordera au raccord hydraulique avec le capuchon vert. Le tuyau hydraulique avec le capuchon noir concordera au raccord hydraulique avec le capuchon noir.

### ⚠ ATTENTION

Assurez-vous que l'ancre Raptor est déployée et que le pieu touche le sol, s'il n'y a pas de pression hydraulique. Cela inclut avant le remplissage de l'assemblage de la pompe de liquide hydraulique et à tout moment où on fait des changements au circuit hydraulique. Des changements aux circuits hydrauliques peuvent inclure des ajustements aux tuyaux hydrauliques, ou des ajustements aux clapets de dérivation. Des changements de pression dans le circuit hydraulique peuvent faire tomber le Raptor et causer un danger de choc en raison de la gravité. Appuyez le pieu au sol pour éviter ce danger.

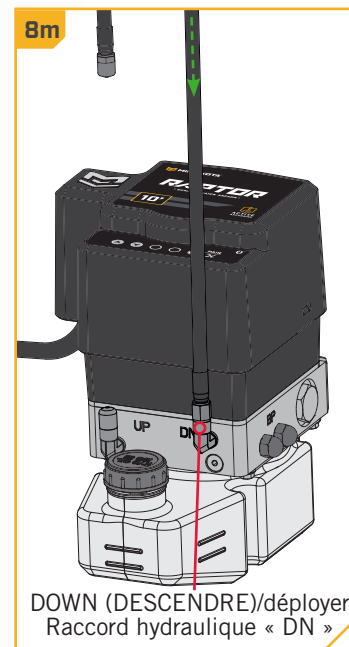
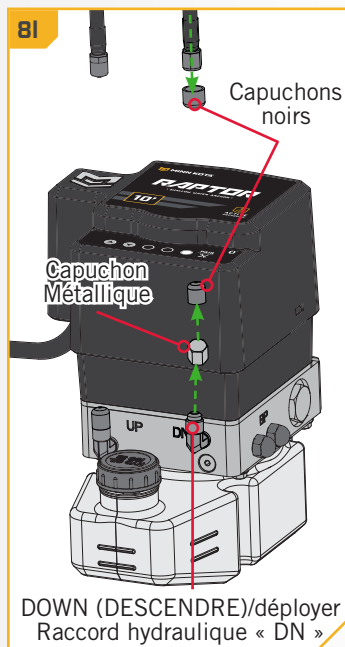


# INSTALLATION DES TUYAUX HYDRAULIQUES

8

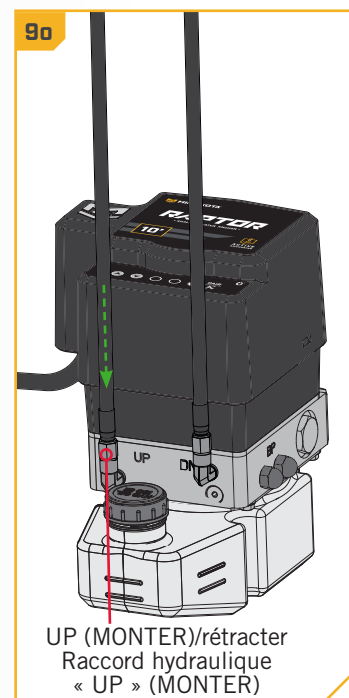
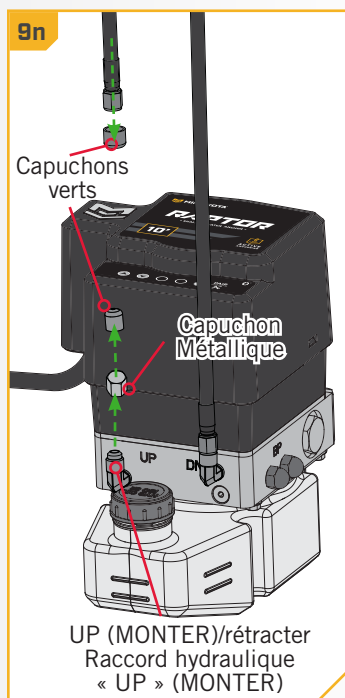
- i. Retirez le capuchon noir sur le tuyau hydraulique et le capuchon noir sur le raccord hydraulique « DN ». Le tuyau hydraulique avec le capuchon noir sera le plus long des deux tuyaux livrés avec le Raptor. Sous le capuchon noir du raccord hydraulique «DN» se trouve un capuchon métallique scellant le raccord. À l'aide d'une clé de 9/16 po (14,3 mm), retirez le capuchon en métal en le tournant dans le sens antihoraire.
- m. Fixez le tuyau hydraulique au raccord hydraulique « DN » en tournant 5 à 7 fois à la main le raccord fileté sur le tuyau hydraulique sur le raccord hydraulique de la pompe. Si le filetage ne tourne pas librement, il est mal aligné. Retirez-le et réessayez. Serrez à la main en direction horaire jusqu'à ce qu'il soit placé. Finissez ensuite de serrer avec une clé de 9/16 po (14,3 mm) à 120 po-lb (13,6 Nm).

**AVIS :** N'appliquez rien aux extrémités des tuyaux hydrauliques ou aux raccords hydrauliques de la pompe.



9

- Retirez le capuchon vert sur le tuyau hydraulique et le capuchon noir sur le raccord hydraulique « UP » (MONTER). Le tuyau hydraulique avec le capuchon vert sera le plus court des deux tuyaux livrés avec le Raptor. Sous le capuchon vert du raccord hydraulique «UP» se trouve un capuchon métallique scellant le raccord. À l'aide d'une clé de 9/16 po (14,3 mm), retirez le capuchon en métal en le tournant dans le sens antihoraire.
- n. Fixez le tuyau hydraulique au raccord hydraulique « UP » (MONTER) en tournant 5 à 7 fois à la main le raccord fileté sur le tuyau hydraulique sur le raccord hydraulique de la pompe. Si le filetage ne tourne pas librement, il est mal aligné. Retirez-le et réessayez. Serrez à la main en direction horaire jusqu'à ce qu'il soit placé. Finissez ensuite de serrer avec une clé de 9/16 po (14,3 mm).





# INSTALLATION DU SUPPORT DE LA TÉLÉCOMMANDE

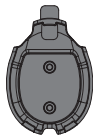
## 1 Installation du support de la télécommande

Le Raptor est livré avec une télécommande. Monter le support de la télécommande à votre bateau est une option d'installation. Le support de la télécommande est destiné à tenir une seule télécommande. Le montage du support de la télécommande est basé sur la préférence personnelle. On recommande de monter le support de la télécommande sur une surface plate d'où on peut facilement accéder à la télécommande pour le contrôle de l'ancre. Évitez les espaces où les boutons sur la télécommande peuvent être accidentellement activés. Pour monter le support, suivez les étapes ci-dessous :

1

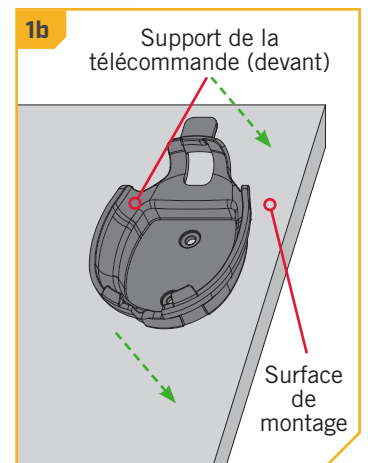
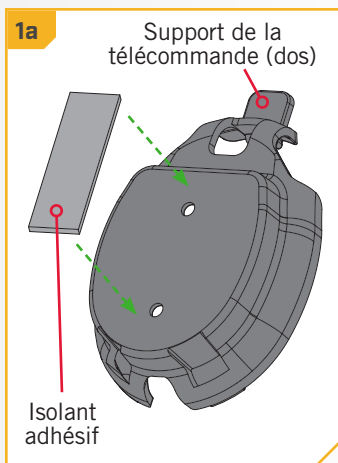
### ARTICLE(S) REQUIS

 #32 X 1



#30 X 1

- Sélectionnez un emplacement de montage plate pour le support de la télécommande. Vérifiez l'emplacement pour l'ajustement et la fonction de la base du support. Nettoyez et séchez complètement la surface de montage. Une fois satisfait de l'emplacement, prenez l'isolant adhésif (article n° 32) et retirez le support arrière d'un des côtés. Installez l'isolant adhésif avec l'adhésif exposé face au support, centré approximativement à l'arrière du support de la télécommande (article n° 30). Appuyez et tenez en place pendant 30 secondes.
- Retirez le support de l'extérieur de l'isolant adhésif pour exposer l'adhésif. Placez la base du support sur l'emplacement de montage. Appuyez fermement et tenez pendant 30 secondes.



2

### ARTICLE(S) REQUIS

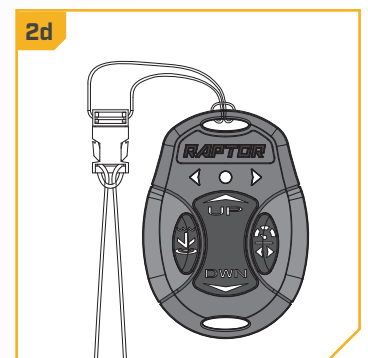
 #28 X 1



#G X 1

- Prenez une télécommande du Raptor (assemblage G) et placez-la dans la base du support.
- Vous pouvez aussi placer la longe (article n° 28) sur del télécommande Raptor.

**AVIS :** Le télécommande livrées avec le Raptor de l'usine sont pré-couplée. Si la connexion de réseau entre les télécommande et l'ancre est interrompue, veuillez consulter la section « Couplage du Raptor » de ces instructions.



# INSTALLATION DES BATTERIES ET DU CÂBLAGE

## GRÉEMENT DE L'EMBARCATION ET INSTALLATION DU PRODUIT

Pour des raisons de sécurité et de conformité, nous vous recommandons de suivre les normes du Conseil américain sur les embarcations et les yachts (American Boat and Yacht Council, ABYC) pour le gréement de l'embarcation. Les altérations dans le câblage de l'embarcation devraient être complétées par un technicien de marine qualifié. Les spécifications suivantes sont seulement des lignes directrices générales.

### ATTENTION

Veuillez lire les renseignements suivants avant de connecter votre Raptor à vos batteries afin d'éviter d'endommager votre produit ou d'annuler votre garantie.

### ATTENTION

Ces lignes directrices s'appliquent au gréement général pour soutenir le produit de Minn Kota. L'alimentation de multiples Raptors ou d'autres appareils électriques, à partir du même circuit d'alimentation, peut influencer sur le gabarit de conducteurs et le dimensionnement des disjoncteurs recommandé. Pour un fil plus long que celui fourni avec l'appareil, suivez le tableau de dimensionnement de gabarit des conducteurs et des disjoncteurs du tableau ci-dessous. Si la longueur totale de la rallonge est de plus de 25 pi (7,60 m), nous vous recommandons de communiquer avec un technicien maritime qualifié.

### ATTENTION

**Un dispositif de protection contre la surintensité (disjoncteur ou fusible) doit être utilisé.** Les préalables de la garde côtière exigent que chaque conducteur de courant, qui n'est pas fixé, soit protégé par un fusible ou un disjoncteur qui se réinitialise manuellement et qui ne peut se déclencher automatiquement. Le type (courant et tension de puissance nominale) de fusible ou de disjoncteur doit être de dimension appropriée. Le tableau ci-dessous donne les lignes directrices recommandées pour ce qui est du dimensionnement des disjoncteurs.

## TABLEAU DES CALIBRES DES FILS CONDUCTEURS ET DES DIMENSIONS DES DISJONCTEURS

Le présent tableau des dimensions de gabarit des conducteurs et disjoncteurs est uniquement valable pour les hypothèses suivantes :

1. Il n'y a pas plus de deux conducteurs qui sont regroupés à l'intérieur d'une gaine ou d'un conduit à l'extérieur de l'espace moteur.
2. Chaque conducteur est muni d'un isolant d'une température nominale de 105 °C.
3. Aucune chute de tension de plus de 5 % n'est autorisée lorsque d'un plein régime, en fonction des exigences en matière d'alimentation du produit qui ont été publiées.

Courant tiré max	Disjoncteur	Longueur de la rallonge				
		5 pi (1,5 m)	10 pi (3 m)	15 pi (4,8 m)	20 pi (6,1 m)	25 pi (7,6 m)
70 ampères	30 A à 12 VCC	10 AWG	8 AWG	6 AWG	4 AWG	4 AWG

**AVIS :** La longueur de la rallonge fait référence à la distance entre les batteries aux fils du Raptor. Les valeurs d'intensité maximales ont lieu de manière intermittente durant certaines conditions et ne doivent pas être utilisées comme valeur nominale continue.

Référence

le code des règlements fédéraux des États-Unis : article 183 du titre 33 du Code des règlements fédéraux (CRF) - Embarcations et équipements associés ABYC E-11 : systèmes électriques CA et CC sur les embarcations

# COMMENT SÉLECTIONNER LES BATTERIES ADÉQUATES

## COMMENT SÉLECTIONNER LES BATTERIES ADÉQUATES

Le Raptor fonctionnera avec toute batterie marine plomb/acide de 12 volts. Pour les meilleurs résultats, Minn Kota recommande la connexion à la batterie de démarrage. Le Raptor peut fonctionner avec une batterie au lithium-ion. Maintenez la batterie complètement chargée. Un entretien adéquat assurera que le courant sera disponible au moment du besoin et améliorera considérablement la durée de vie de la batterie. Le fait de ne pas recharger les batteries au plomb (dans les 12 à 24 heures) est la principale cause de défaillance prématurée de celles-ci. Utilisez un chargeur multiphase pour éviter une surcharge. Nous offrons une vaste sélection de chargeurs en fonction de vos besoins. Pour de plus amples informations sur la sélection et le grément de batteries, veuillez visiter [minnkotamotors.com](http://minnkotamotors.com).

Le Raptor puise une petite quantité du courant résiduel de la batterie même s'il n'est pas utilisé. Si le Raptor n'est pas utilisé pendant plus d'un mois, les fils d'alimentation du Raptor doivent être déconnectés de la batterie. Éviter de connecter le Raptor sur les mêmes batteries où est connecté un moteur de pêche à la traîne ou un autre accessoire. On recommande de connecter le Raptor à la batterie de démarrage par le biais d'un sélecteur de batterie ou un commutateur de déconnexion de l'alimentation. Cela déconnectera l'alimentation du Raptor lorsque le commutateur d'allumage est en position Off (arrêt). Si un commutateur de sélection/déconnexion d'alimentation de la batterie n'est pas utilisé, le Raptor peut être connecté directement à la batterie de démarrage.



## AVERTISSEMENT

Ne jamais brancher les bornes (+) et (-) de la batterie ensemble. Assurez-vous qu'aucun objet métallique ne puisse tomber sur la batterie et provoquer un court-circuit entre les bornes. Cela provoquerait immédiatement un court-circuit et un risque extrême d'incendie.

Pour une conformité appropriée au ABYC, lorsque le fusible du fabricant a été retiré, l'utilisateur doit installer un fusible de 30 ampères à moins de 7 po (17,8 cm) de la borne positive (+) de la batterie.

**AVIS :** Le fusible réarmable en ligne de 30 ampères est conçu pour protéger le système. Si ce fusible se déclenche de façon répétitive, un câblage défectueux en est peut-être la cause et doit être corrigé. Si on soupçonne le fusible réarmable lui-même, Minn Kota recommande de communiquer avec le service à la clientèle pour un remplacement approprié.

## CONNEXION DES BATTERIES

### › Systèmes de 12 Volts

1. En cas d'une connexion à un commutateur de sélection/déconnexion d'alimentation de la batterie en option, le tourner en position Off (arrêt) avant de connecter le câble d'alimentation.
2. Connecter le fil blanc positif (+) à la borne positive (+) de la batterie, ou au commutateur positif.
3. Connecter le fil noir négatif (-) à la borne négative (-) de la batterie, ou au commutateur négatif.



## AVERTISSEMENT

Respectez la polarité appropriée et suivez les instructions du manuel du propriétaire du bateau en matière de polarité.

4. L'assemblage de la pompe émettra un bip pour indiquer qu'il est en marche. Il n'y a pas de commutateur de marche/arrêt. Pour retirer l'alimentation de l'assemblage de la pompe, le Raptor doit être désactivé en retirant les fils des bornes des batteries ou du commutateur.



## AVERTISSEMENT

Ne faites pas fonctionner la pompe hydraulique avant d'ajouter du liquide hydraulique. Faire fonctionner la pompe hydraulique sans liquide hydraulique peut endommager la pompe.

## CONNEXION DES BATTERIES



### AVERTISSEMENT

- Le Raptor puise une petite quantité du courant résiduel de la batterie même s'il n'est pas utilisé. Si le Raptor n'est pas utilisé pendant plus d'un mois, ou lorsque les batteries sont en voie de charge, les fils d'alimentation du Raptor doivent être déconnectés de la batterie. On recommande de connecter le Raptor à la batterie de démarrage par le biais d'un sélecteur de batterie ou un commutateur de déconnexion de l'alimentation. Cela déconnectera l'alimentation du Raptor lorsque le commutateur d'allumage est en position Off (arrêt). Si un commutateur de sélection/commutateur de la batterie n'est pas utilisé, le Raptor peut être connecté directement à la batterie de démarrage.
- Garder des connexions solides des fils autour de la batterie ou des bornes du commutateur.
- La batterie de démarrage devrait être située dans un compartiment ventilé pour éviter des étincelles provenant de matières combustibles.



### AVERTISSEMENT

Ne débranchez pas les composants hydrauliques lors de présence d'alimentation électrique et que les clapets de dérivation sont fermés.



# TERMINER L'INSTALLATION

## TERMINER L'INSTALLATION DU RAPTOR

À ce point de l'installation, l'ancre Raptor et l'assemblage de la pompe ont été montés au bateau et branchés à une source d'alimentation. Les tuyaux hydrauliques ont aussi été acheminés et connectés à l'assemblage de la pompe. Puisque le mouvement de l'ancre est aussi contrôlé par l'utilisation de produits hydrauliques, pour terminer l'installation, l'assemblage de la pompe doit être rempli de liquide hydraulique et passer une séquence de déploiement/rétraction pour purger les conduites hydrauliques. Les étapes finales de l'installation incluent la confirmation de la connexion Bluetooth entre les télécommandes qui sont couplées avec l'ancre de l'usine et l'assemblage de la pompe. Avant d'utiliser le Raptor à ses fins prévues, confirmez que l'installation des composants est terminée et finalisez l'installation pour un fonctionnement réussi.

### **ATTENTION**

En raison de la pression mécanique de l'utilisation d'hydraulique, évitez des blessures en vous assurant que l'installation mécanique de l'ancre Raptor et de l'assemblage de la pompe est terminée avant de finaliser l'installation. La pression hydraulique de composants non sécurisés peut causer un fonctionnement inattendu et des mouvements des composants.

### TERMINER L'INSTALLATION >

## > Remplir la pompe de liquide hydraulique et purger les conduites hydrauliques

Afin de terminer l'installation, l'assemblage de la pompe doit être branché à une source d'alimentation. Si la pompe n'est pas branchée à une source d'alimentation, relisez la section « Installation de la batterie et du câblage » de ces instructions.

1

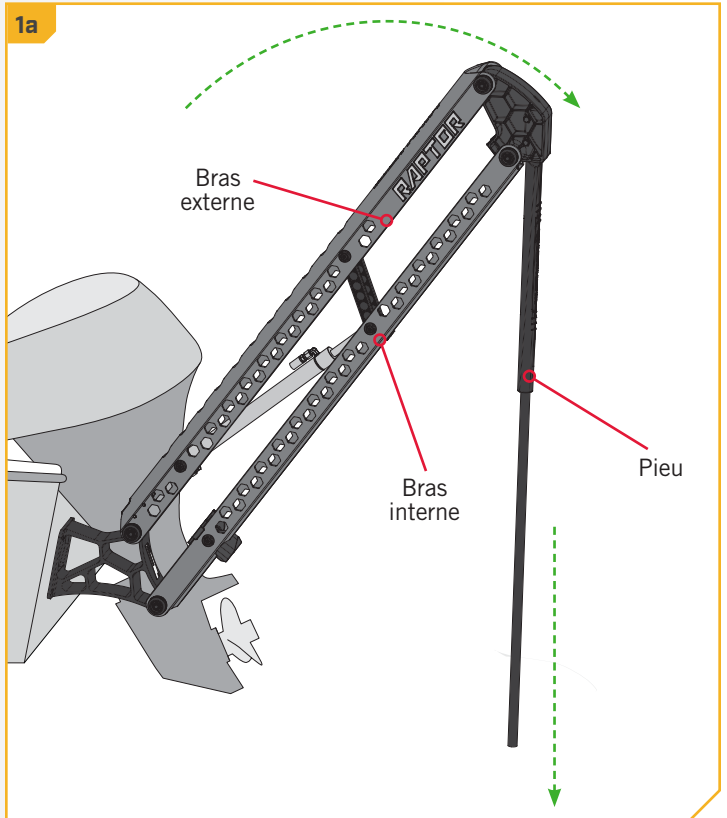
- L'ancre Raptor devrait être allongée afin que le pieu repose sur le sol. Si le pieu ne repose pas sur le sol à la suite des étapes précédentes d'installation, abaissez doucement l'ancre avec l'aide d'une autre personne. Surveillez les points de pincement lors de déplacement manuel du Raptor.

### **ATTENTION**

Assurez-vous que le Raptor est à l'écart d'obstacles et de personnes lors de la rétraction. Les espaces entre le bras externe, le bras interne, le pieu et les supports du Raptor peuvent créer un point de pincement. Évitez tout contact avec un endroit du Raptor qui peut causer un point de pincement lorsqu'il est en mouvement dans toute direction, afin d'éviter le risque. Restez à l'écart de l'ancre si elle n'est pas tenue en place par le circuit hydraulique ou une contrainte physique. Ne pas abaisser le pieu avant de remplir le circuit hydraulique et purger les conduites hydrauliques peut entraîner un danger d'impact, créé par la force de la gravité sur une ancre non sécurisée. Abaissez le pieu pour éviter le risque.

### **AVERTISSEMENT**

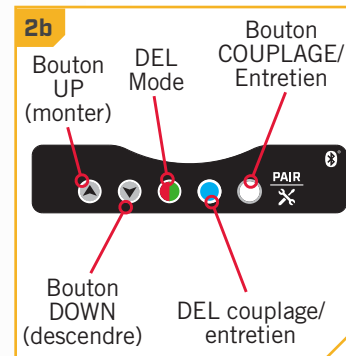
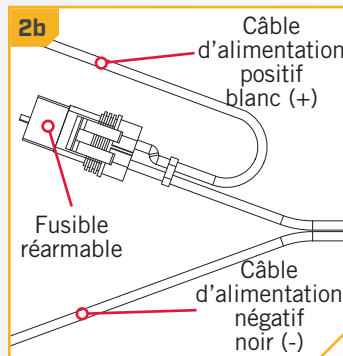
Ne faites pas fonctionner la pompe hydraulique avant d'ajouter du liquide hydraulique. Faire fonctionner la pompe hydraulique sans liquide hydraulique peut endommager la pompe.



# REEMPLIR LA POMPE DE LIQUIDE HYDRAULIQUE ET PURGER LES CONDUITES HYDRAULIQUES

2

- b. Lorsque l'assemblage a été branché à une source d'alimentation, il a émis un bip pour indiquer qu'il était sous tension. Pour tester que l'assemblage de la pompe a une alimentation électrique, retirez le fusible réarmable du fil blanc positif (+) et réinsérez-le. Lorsque l'alimentation électrique est restaurée, le voyant DEL clignotera en série, ensuite la pompe émettra un bip. La DEL Mode clignotera rouge ● en même temps que la DEL Couplage/Entretien clignotera en bleu ●. Les voyants DEL s'éteindront et la DEL Mode clignotera vert ●. Lorsque la DEL Mode s'éteint, la pompe émettra un bip pour confirmer la restauration de l'alimentation électrique. L'assemblage de la pompe est prêt à être rempli de liquide hydraulique.



## ⚠ ATTENTION

L'assemblage de la pompe est branché à une source d'alimentation lors de cette étape de l'installation. Relisez la section « Installation de la batterie et du câblage » de ces instructions afin de vous familiariser avec les risques lors des travaux avec les courants électriques.

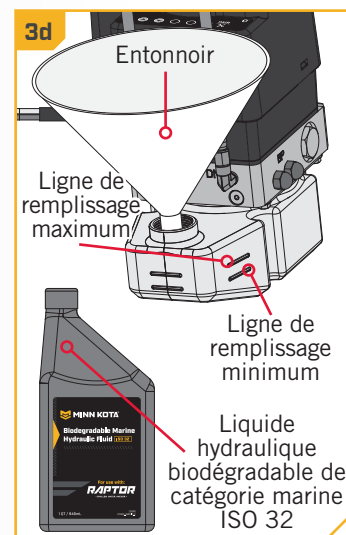
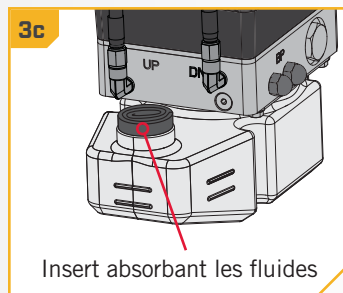
3

### ARTICLE(S) REQUIS



#24 X 1

- c. Retirez l'insert absorbant les liquides en scellant l'ensemble de la pompe en le tirant. Retirez complètement l'insert et jetez-le.
- d. Placez un entonnoir propre ou un outil semblable sur le réservoir. Notez les lignes de remplissage maximum et minimum sur le réservoir. Le réservoir de la pompe Raptor est conçu pour contenir 1 litre de liquide hydraulique. Prenez le liquide hydraulique biodégradable de qualité marine ISO 32 (article n° 24) et remplissez le réservoir avec au moins la moitié du litre, jusqu'à la ligne de remplissage maximum du réservoir.



**AVIS :** Raptor est 100% qualité et performances testées avec du fluide hydraulique. Jeter l'insert absorbant les fluides résiduels. À des fins d'expédition uniquement.

**AVIS :** Minn Kota recommande l'utilisation de liquide hydraulique biodégradable de catégorie marine ISO 32 (n° de pièce 2357700). S'il vous faut d'autre liquide hydraulique, commandez-le en ligne au [minnkotamotors.com](http://minnkotamotors.com) ou trouvez un liquide hydraulique biodégradable de catégorie marine ISO 32.

## ⚠ ATTENTION

Liquide hydraulique biodégradable de catégorie marine ISO 32

**Premiers secours :** Maintenir hors de la portée des enfants - ne pas faire vomir

**Contact avec les yeux :** Rincer abondamment les yeux touchés à l'eau pendant au moins 15 minutes.

**Contact avec la peau :** Bien nettoyer la peau exposée avec de l'eau et du savon.

# REEMPLIR LA POMPE DE LIQUIDE HYDRAULIQUE ET PURGER LES CONDUITES HYDRAULIQUES

4

## ARTICLE(S) REQUIS

 #38 X 1

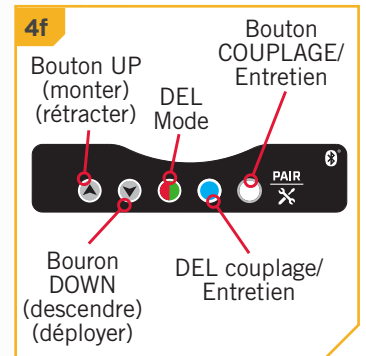
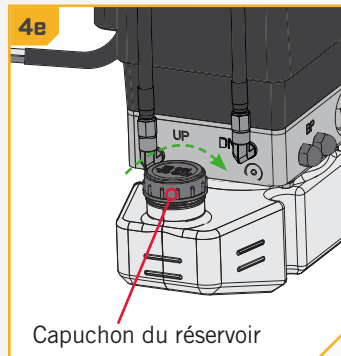
- e. Prenez le capuchon du réservoir (article n° 38) et placez-le sur le réservoir de la pompe. Fermer à la main en tournant le capuchon du réservoir dans le sens horaire.
- f. Utilisez les boutons Up (monter) ▲ et Down (descendre) ▼ sur la pompe hydraulique pour passer les séquences de rétraction (monter) et déploiement (descendre). Après un ou deux cycles de déploiement et de rétraction, vérifiez le réservoir afin d'assurer que le liquide hydraulique n'est pas sous la ligne minimum de liquide.

**AVIS :** Lors des premiers quelques cycles, il est normal que l'ancre ne bouge presque pas lorsque les flèches vers le haut et vers le bas sont enfoncées. Les conduites et le cylindre hydrauliques doivent être remplis de liquide hydraulique avant que des mouvements normaux et lisses se produisent.

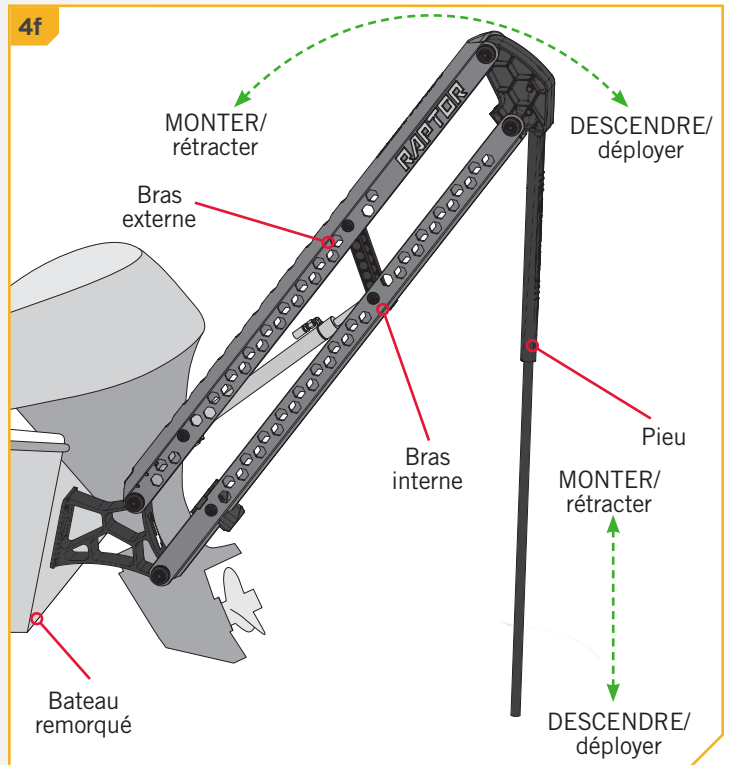
## AVERTISSEMENT

Veillez à ce que ni vous ni d'autres personnes ne vous approchiez trop près du pieu du Raptor, que ce soit seulement avec une partie du corps ou des objets. Le Raptor est puissant et pourrait provoquer des situations périlleuses ou des blessures, pour vous ou les autres. Lorsque le Raptor fonctionne, surveillez la présence de personnes et d'obstructions en contrôlant le Raptor.

- g. Si le liquide hydraulique est sous minimum, ajoutez-en en suivant la procédure susmentionnée. Ensuite, faites au moins dix cycles de déploiement et de rétraction avec le Raptor.
- h. Lorsque les dix cycles sont terminés, poursuivez le remplissage du réservoir. Si le liquide hydraulique est sous le minimum, ajoutez-en en suivant la procédure susmentionnée. Répétez les cycles de rétraction et déploiement cinq autres fois. Terminez avec le Raptor en état de rétraction complète.



**AVIS :** Si le capuchon du réservoir (n° de pièce 2350200) est perdu ou sale, commandez-en un nouveau sur [minnkotamotors.com](http://minnkotamotors.com).



# REPLIR LA POMPE DE LIQUIDE HYDRAULIQUE ET PURGER LES CONDUITES HYDRAULIQUES

5

- i. Avant une utilisation normale du Raptor, remorquez le bateau à un corps d'eau. Mettez le bateau à l'eau et dirigez-le vers une profondeur d'au moins la profondeur de votre ancre, ou 10 pieds (3 m). On recommande d'aller dans au moins 10 pi (3 m) d'eau afin d'assurer que l'ancre peut manœuvrer à sa pleine amplitude de mouvement pour purger le liquide hydraulique à travers le circuit et d'éliminer toute présence d'air.

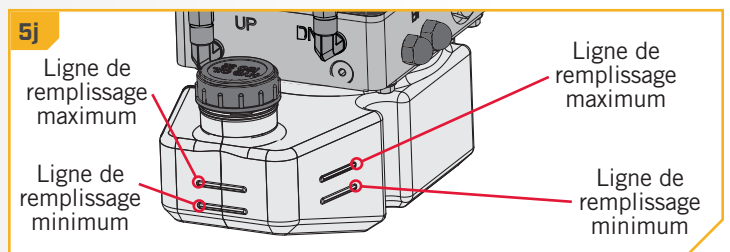
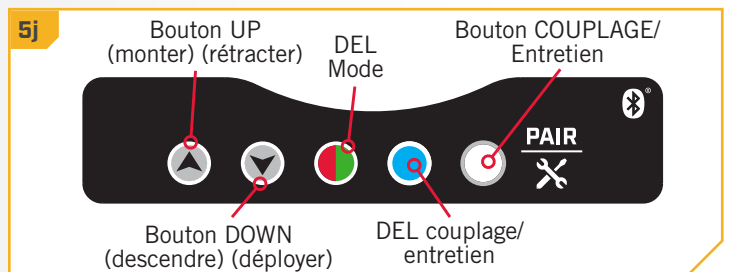
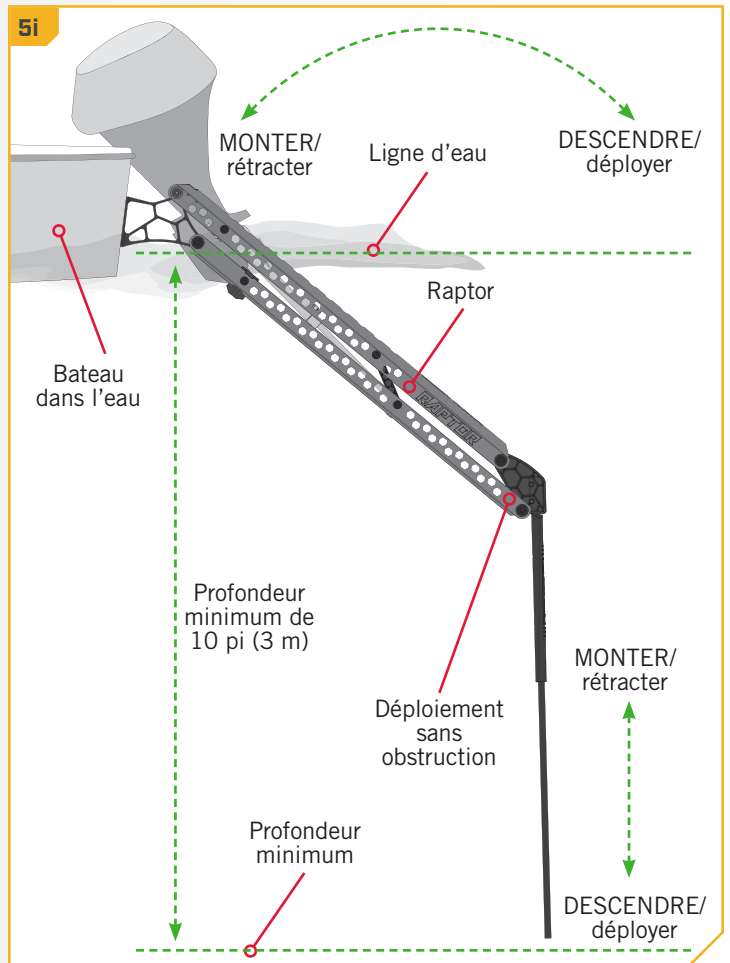
## ⚠ ATTENTION

Pour bien terminer l'installation et vider l'air du circuit hydraulique, on doit purger le circuit d'air. Ne pas purger le circuit hydraulique peut entraîner un fonctionnement imprévu de l'ancre. L'ancre doit être complètement rétractée et déployée pour purger le circuit hydraulique. Effectuez les séquences de déploiement et rétraction sur l'eau pour entièrement purger les conduites.

- j. Actionnez la pompe à sa pleine longueur de course à l'aide des boutons UP (monter) ▲ et DOWN (descendre) ▼ sur la pompe hydraulique afin de passer séquences du cycle de déploiement (descendre) et rétraction (monter). Répétez le cycle dix fois. Terminez avec le Raptor en état de rétraction. Une fois terminé, le circuit hydraulique est prêt à l'utilisation normale.
- k. Le Raptor devrait être en état de rétraction et les conduites hydrauliques devraient être complètement purgées. Vérifiez une deuxième fois le réservoir afin de s'assurer que le liquide hydraulique est rempli à la ligne de remplissage maximum. Après avoir rempli le réservoir, s'il reste du liquide hydraulique, conservez-le pour un entretien futur. Vérifiez périodiquement le niveau du liquide hydraulique à l'avenir afin d'assurer qu'il est adéquat.

**AVIS :** La ligne de remplissage maximum et la ligne minimum sont situées sur trois côtés du réservoir, donc la vérification du niveau de liquide hydraulique est facile, peu importe l'orientation du réservoir.

**AVIS :** Une fois la pompe hydraulique purgée, examinez le cheminement des tuyaux afin d'assurer qu'ils sont propres et bien fixés avec des attaches. Relisez la section « Fixation des tuyaux hydrauliques » de ce manuel pour des précisions.





## › Fixation des tuyaux hydrauliques

Lorsque la pompe hydraulique a été purgée, les tuyaux hydrauliques doivent être réglés pour leurs cheminements finaux. Il est important de sécuriser les tuyaux afin d'assurer que leurs cheminements demeurent propres et bien entretenus pour un fonctionnement sécuritaire. Minn Kota recommande de fixer les tuyaux hydrauliques avec des attaches autobloquantes le long des cheminements des tuyaux.

### **AVERTISSEMENT**

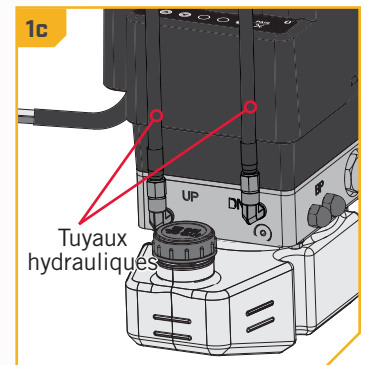
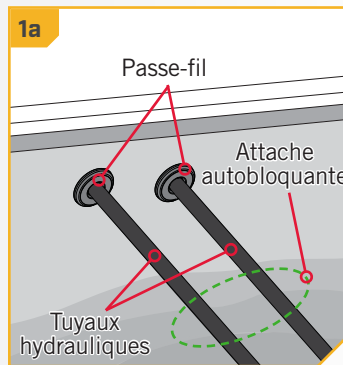
- Inspectez périodiquement l'usure et l'état des tuyaux. Faire fonctionner le système Raptor avec un tuyau hydraulique usé ou endommagé peut entraîner des dommages, un fonctionnement inattendu ou des blessures.
- Si un tuyau hydraulique déchire, éclate ou se déconnecte pendant le fonctionnement, coupez immédiatement l'alimentation électrique à la pompe et libérez manuellement la pression dans le système hydraulique à l'aide des robinets manuels de dérivation.
- Ne saisissez pas un tuyau sous pression qui coule avec vos mains. Ne cherchez pas des fuites hydrauliques avec vos mains. La force du liquide hydraulique qui s'échappe peut entraîner des blessures graves.

1

- a. Commencez par l'examen des tuyaux hydrauliques entre le Raptor et le point d'entrée sur le bateau. Au besoin, placez une attache autobloquante pour sécuriser tout tuyau libre.

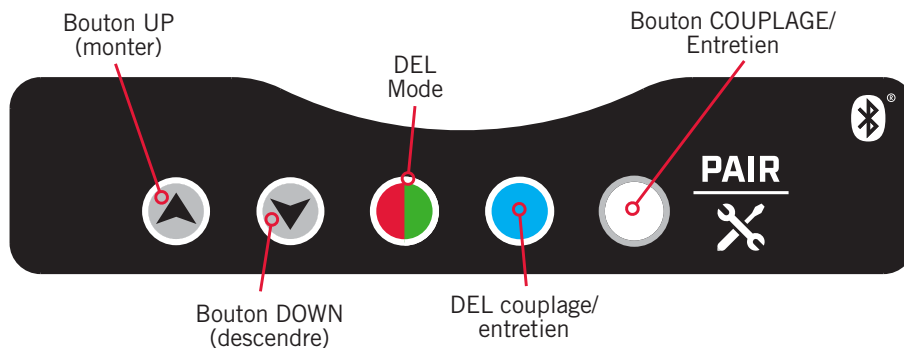
**AVIS :** Examinez les facteurs de montage au début des instructions d'installation pour des recommandations au sujet des cheminements des tuyaux hydrauliques.

- b. Suivez ces cheminements de tuyaux le long des pistes établies sur le bateau. Fixez les tuyaux hydrauliques afin qu'ils puissent être entretenus dans le cheminement prévu.
- c. Suivez les tuyaux hydrauliques jusqu'à la pompe hydraulique et utilisez une attache autobloquante pour fixer les tuyaux hydrauliques où nécessaire.



# CONTRÔLE DU RAPTOR

## CONTRÔLE DU RAPTOR AVEC LE PANNEAU INDICATEUR >



### Monter

Appuyer et tenir pour la rétraction de l'ancre. L'ancre continuera la rétraction lorsque le bouton est tenu, jusqu'à son relâchement.



### Descendre

Appuyez et tenez pour déployer l'ancre. L'ancre déploie jusqu'à ce que le bouton est relâché ou l'ancre a atteint sa pleine portée de déploiement.



### DEL Mode

Utilisé pour identifier les différents modes de l'ancre. La DEL Mode clignote entre vert et rouge pendant trois secondes lorsque l'ancre est en mode standard. Le mode Eaux agitées est identifié lorsque le voyant DEL Mode clignote rouge, et Fond mou lorsque le voyant DEL Mode clignote vert. La DEL Mode clignote vert et vert, et rouge et rouge lorsque Fond automatique est sélectionné. La DEL Mode est utilisée pour identifier l'ancrage actif. DEL Mode clignotera lentement vert lorsque l'ancrage actif est activé et la DEL Mode clignotera lentement rouge lorsqu'il est désactivé. La DEL Mode continuera à clignoter entre vert et rouge lorsque l'ancrage actif est activé et que l'ancre est déployée. La DEL Mode clignotera aussi rouge pour identifier les erreurs de système.



### DEL Couplage/Entretien

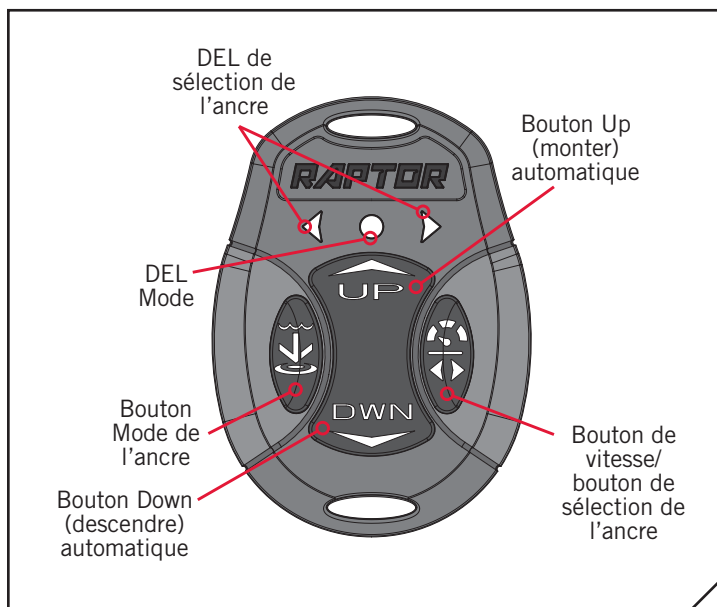
Lorsque l'ancre est en mode COUPLAGE, la DEL Couplage/Entretien clignote bleu. En mode Entretien, la DEL Couplage/Entretien s'allumera en bleu.



### Bouton Couplage/Entretien

Single press to enter PAIR Mode. The anchor will Appuyez une fois pour passer au mode COUPLAGE. L'ancre restera en mode COUPLAGE jusqu'à la réussite du couplage, le bouton COUPLAGE est appuyé à nouveau pour l'annuler, ou jusqu'à ce que le temps de COUPLAGE s'annule après 30 secondes. Appuyez et tenez le bouton COUPLAGE pour passer au mode Entretien. En mode Entretien, le moteur de l'ancre est désactivé. Pour annuler le mode Entretien, appuyer à nouveau sur le bouton COUPLAGE.

## CONTRÔLE DU RAPTOR AVEC LA TÉLÉCOMMANDE



### Bouton Mode de l'ancre

Appuyez une fois pour afficher le mode actuel de l'ancre. Lorsque le mode est affiché, continuer d'appuyer pour afficher les modes d'ancre afin de les changer. Cela traversera entre les modes d'ancre Standard, Eaux agitées, Fond mou et Fond automatique. Le mode Standard est identifié lorsque la DEL Mode clignote entre rouge et vert. Le mode Eaux agitées est identifié lorsque le voyant DEL du mode clignote en rouge, et Fond mou lorsque le voyant DEL du mode clignote en vert. Le mode Fond automatique est seulement disponible sur le modèle à ancrage actif et est identifié par le voyant DEL Mode clignote lentement de vert à vert, ensuite de rouge à rouge. Sur le modèle à ancrage actif, le bouton de Mode de l'ancre activera et désactivera l'ancrage actif. L'ancrage actif est activé et désactivé en appuyant une fois et en tenant le bouton. Lorsque la DEL Mode est verte, il est activé, et lorsque la DEL Mode est rouge, il est désactivé.



### Bouton Up (monter) automatique

Appuyer une fois pour la rétraction automatique de l'ancre. Appuyer et tenir pour une rétraction en continu de l'ancre. L'ancre continuera la rétraction lorsque le bouton est tenu, jusqu'à son relâchement. Servent également à coupler la télécommande à un Raptor.



### Boutons Down (descendre) automatique

Appuyez deux fois pour déployer automatiquement l'ancre. Appuyez deux fois et tenir la deuxième fois pour déployer l'ancre en continu. L'ancre continuera le déploiement lorsque le bouton est tenu, jusqu'à ce qu'il atteigne sa pleine portée de fonctionnement, ou jusqu'à ce que le bouton soit relâché. Servent également à coupler la télécommande à un Raptor.



### Bouton de vitesse/bouton de sélection de l'ancre

Appuyez une fois pour afficher la vitesse de fonctionnement actuelle. Alors que la vitesse est affichée, continuez d'appuyer pour naviguer parmi les vitesses de fonctionnement, afin de passer entre lent, moyen et rapide. Le voyant DEL du mode clignotera en rouge trois fois consécutives à la vitesse qui correspond à la vitesse sélectionnée. Appuyez et tenez le bouton fera passer la commande soit à l'ancre de bâbord, tribord ou aux deux lorsque deux ancres sont jumelées au système. Les DEL de sélection Raptor s'allumeront pour correspondre aux ancres sélectionnées. Le voyant DEL droit s'allumera lorsque l'ancre tribord est sélectionnée et le voyant DEL gauche s'allumera lorsque l'ancre bâbord est sélectionnée. Les deux voyants DEL, droit et gauche s'allumeront lorsque les deux ancres sont sélectionnées.

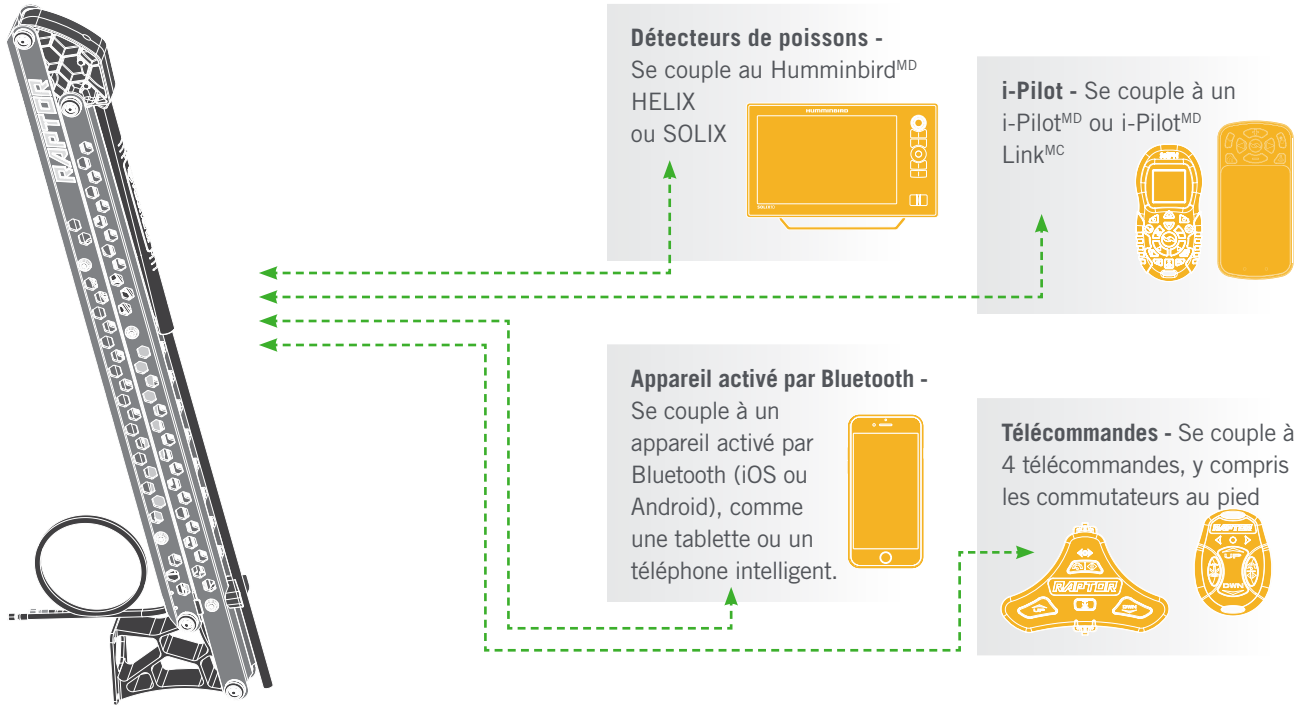
## ⚠ ATTENTION

Ne jamais laisser le bateau sans surveillance avec le Raptor comme seule ancre. Le Raptor n'est pas destiné à fournir l'ancrage principal. Cela comprend l'utilisation de la télécommande à une distance sécuritaire. Il n'est pas recommandé de quitter le bateau lors de l'utilisation du Raptor avec la télécommande. Le propriétaire le ferait à ses propres risques. Ce produit ne vous exonère pas de la responsabilité de naviguer de façon sécuritaire avec votre bateau.

**AVIS :** Le télécommande livrées avec le Raptor de l'usine sont pré-couplée. Si la connexion de réseau entre les télécommande et l'ancre est interrompue, veuillez consulter la section « Couplage du Raptor » de ces instructions.

# COUPLAGE DU RAPTOR

## RÉSEAU POUR UN SEUL RAPTOR

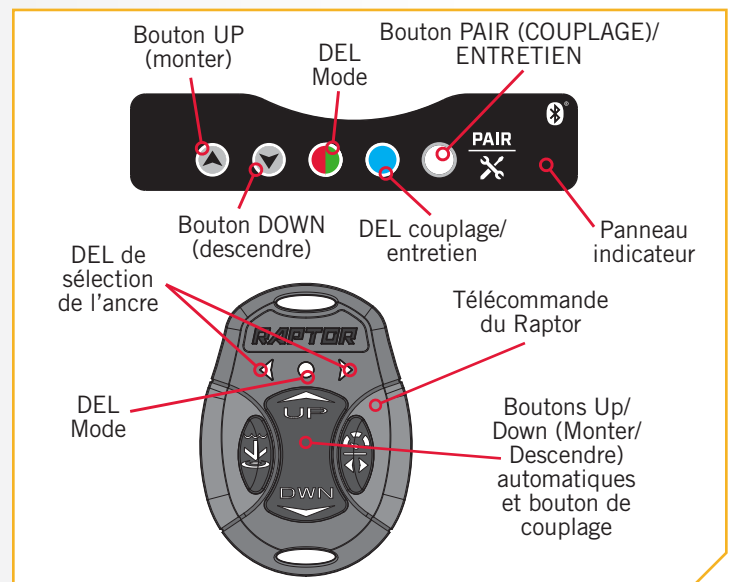


## COUPLAGE D'UNE TÉLÉCOMMANDE À UN SEUL RAPTOR

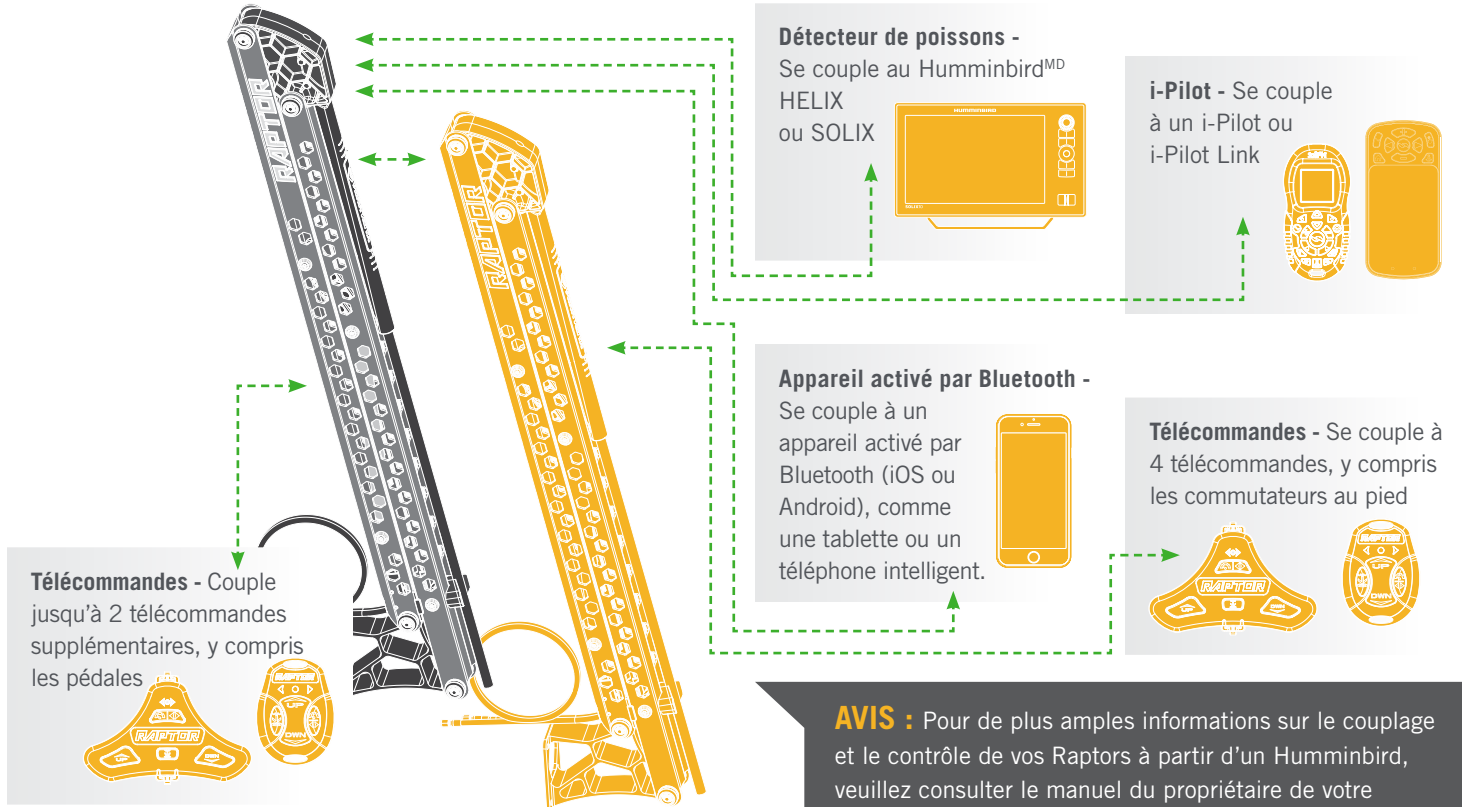
Chaque Raptor est livré directement de l'usine avec a télécommande déjà couplée au Raptor. Si plus de télécommandes sont couplées au Raptor que le réseau permet, le Raptor couplera la nouvelle télécommande et supprimera la télécommande qui a été le moins récemment utilisée.

1

- Appuyez simultanément sur le bouton Up (Monter) et le bouton Down (Descendre) de la télécommande et gardez-les enfoncés jusqu'à ce que les DEL Sélection du Raptor de la télécommande se mettent à défiler rouge, vert, rouge et rouge. Relâchez ensuite les boutons.
- Appuyez immédiatement le bouton Pair (Couplage) sur le panneau indicateur situé sur l'assemblage de la pompe Raptor. la DEL COUPLAGE/Entretien commencera à clignoter bleu . Le Raptor et la télécommande passeront au mode de couplage pendant 30 secondes. Si un signal avec trois bips rapides se produit, le Raptor et la télécommande ont été couplés avec succès. Si 30 secondes s'écoulent en mode de couplage et que le couplage n'a pas encore réussi, un pépiement du Raptor indiquera que le temps accordé pour le couplage est écoulé.
- Si le couplage échoue, recommencez le processus.



## RÉSEAU POUR DEUX RAPTOR





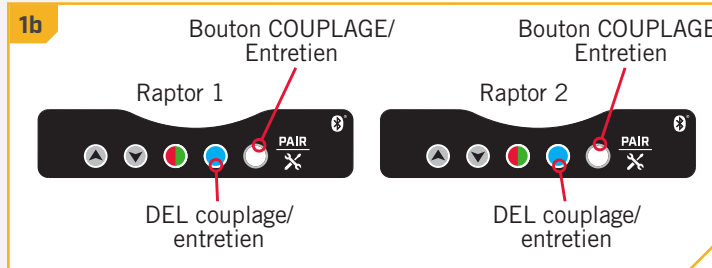
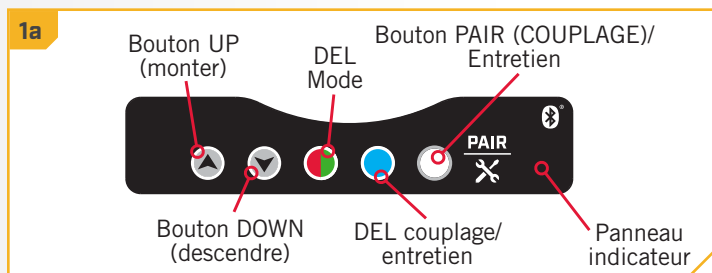
**AVIS :** Pour de plus amples informations sur le couplage et le contrôle de vos Raptors à partir d'un Humminbird, veuillez consulter le manuel du propriétaire de votre Humminbird. Pour de plus amples informations sur la façon de coupler et contrôler le Raptor avec un i-Pilot ou un i-Pilot Link, veuillez consulter le manuel du propriétaire correspondant.



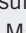
# COUPLAGE DU RAPTOR

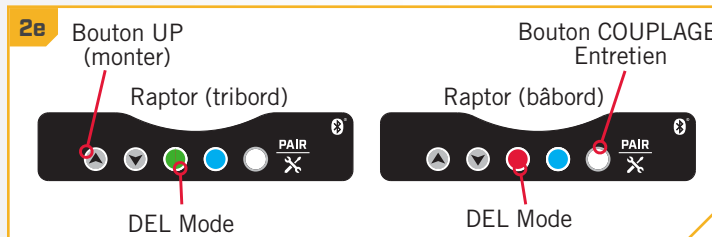
## COUPLAGE DE DEUX RAPTOR ET PROGRAMMATION DE L'EMPLACEMENT DE MONTAGE

Chaque Raptor est livré de l'usine avec a télécommande déjà couplées au Raptor. Lors de l'installation de deux Raptors, il sera nécessaire de supprimer tous les appareils des deux réseaux Raptor. Pour supprimer le couplage de chaque Raptor, suivez les instructions dans la section « Supprimer les télécommandes ou appareils couplés du Raptor » du manuel du propriétaire. Lorsque les deux réseaux Raptor sont supprimés, les Raptors peuvent être couplés ensemble. Les réseaux clairs du Raptor permettront au système de compléter un processus automatisé lors du couplage qui désignera les positions tribord et bâbord des deux Raptors, comme installés sur le bateau. Le processus ci-dessous sert à coupler les Raptor ensemble, puis à indiquer le côté du bateau sur lequel chaque Raptor est installé. Une fois terminé, les télécommandes du Raptor devront être couplées à nouveau au système de deux Raptors. Veuillez consulter la section « Couplage d'une télécommande à deux Raptors » de ce manuel pour coupler une télécommande. D'autres appareils activés par Bluetooth peuvent maintenant être ajoutés au réseau One Boat, comme un détecteur de poissons Humminbird, un système i-Pilot ou i-Pilot Link, et un appareil comme un téléphone intelligent ou une tablette.

- 1**
- a. Appuyez sur le bouton Pair (Couplage)  sur le panneau indicateur sur un des Raptors. La DEL COUPLAGE/Entretien commencera à clignoter bleu . Effectuez immédiatement cette étape sur l'autre Raptor.
  - b. Les Raptors sont en mode Couplage et se chercheront pendant 30 secondes. S'ils ne sont pas couplés après 30 secondes, une tonalité d'erreur se fera entendre, indiquant que le temps accordé pour le couplage s'est écoulé. Si cela se produit, recommencez le processus.
  - c. Si le couplage des Raptor réussit, une tonalité de confirmation avec trois bips rapides se fera entendre. À ce point, les Raptors sont couplés, et il faut maintenant indiquer les emplacements de bâbord et de tribord. Ce processus commencera automatiquement dès que deux Raptors se sont couplés.








- 2**
- d. L'indicateur de mode à DEL passera au vert  sur les deux Raptors. Sur le panneau indicateur du Raptor de tribord, appuyez sur le bouton UP (MONTER) . Le Raptor acceptera la sélection. La DEL Mode sur le Raptor du côté bâbord clignotera rouge , ensuite les DEL sur les deux Raptors s'éteindront. Maintenant, les Raptor sont bien couplés et connaissent leur emplacement de montage.

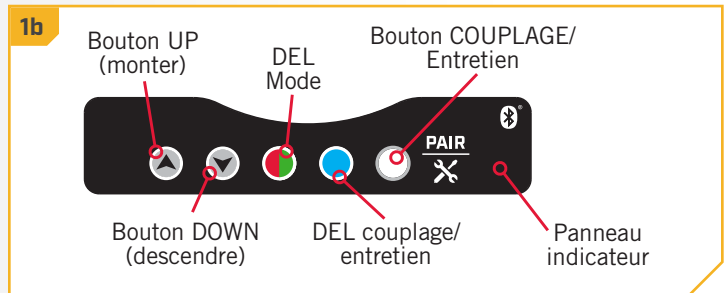
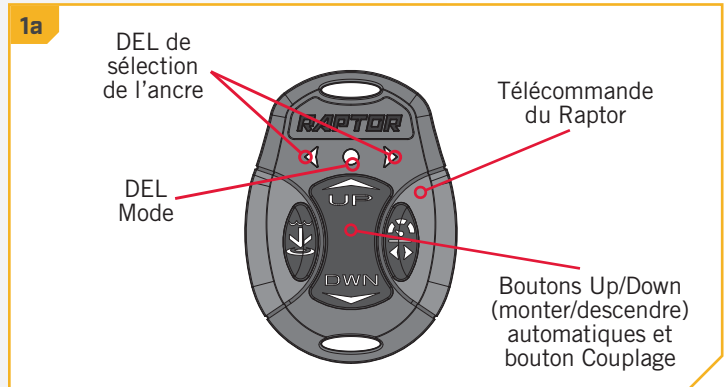


**AVIS :** Lorsque le processus est terminé, toutes les télécommandes qui étaient couplées à un Raptor individuel devront être couplées à nouveau. Veuillez consulter la section « Couplage d'une télécommande à deux Raptors » de ce manuel.

## COUPLAGE D'UNE TÉLÉCOMMANDE À DEUX RAPTOR


Afin de coupler une télécommande à un Raptor, assurez-vous de coupler d'abord les Raptors ensemble. Lorsque deux Raptors compatibles Bluetooth sont couplés, toutes les télécommandes qui étaient couplées à un Raptor individuel feront fonctionner les deux Raptors. Veuillez consulter la section « Couplage de deux Raptors et programmation de l'emplacement de montage » de ce manuel. Si les deux Raptors sont déjà couplés, on peut coupler une télécommande à un Raptor ou à l'autre. Chaque Raptor dans le réseau peut être utilisé pour coupler une télécommande aux deux Raptors. Si plus de télécommandes sont couplées aux deux Raptors que le système permet, le Raptor couplera la nouvelle télécommande et supprimera la télécommande la moins souvent utilisée du réseau. Lorsque le processus de couplage est terminé, la télécommande peut contrôler les deux Raptors.

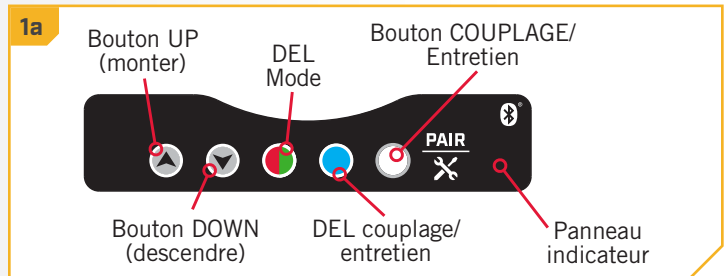
- 1
  - a. Appuyez simultanément sur le bouton Up  (monter) et le bouton Down  (descendre) de la télécommande et gardez-les enfoncés jusqu'à ce que les DEL de sélection du Raptor de la télécommande se mettent à défiler  rouge, vert, rouge et rouge. Relâchez ensuite les boutons.
  - b. Appuyez immédiatement sur le bouton Couplage  sur le panneau indicateur sur l'assemblage de la pompe d'un des Raptors. La DEL COUPLAGE/Entretien sur les deux Raptors commencera à clignoter  bleu. Le Raptor et la télécommande passeront au mode de couplage pendant 30 secondes.
  - c. Si un signal avec trois bips rapides se produit, le Raptor et la télécommande ont été couplés avec succès. Si 30 secondes s'écoulent en mode Couplage et que le couplage n'a pas encore réussi, un pépiement du Raptor indiquera que le temps accordé pour le couplage est écoulé.
  - d. Si le couplage échoue, recommencez le processus.



## SUPPRESSION DE TÉLÉCOMMANDES OU D'APPAREILS COUPLÉS DU RAPTOR

Le Raptor a été conçu de manière à ce que tous les appareils couplés puissent être supprimés de la mémoire.



- 1
  - a. Rétractez l'ancre du Raptor en appuyant sur le bouton UP (MONTER)  sur le panneau indicateur du Raptor.



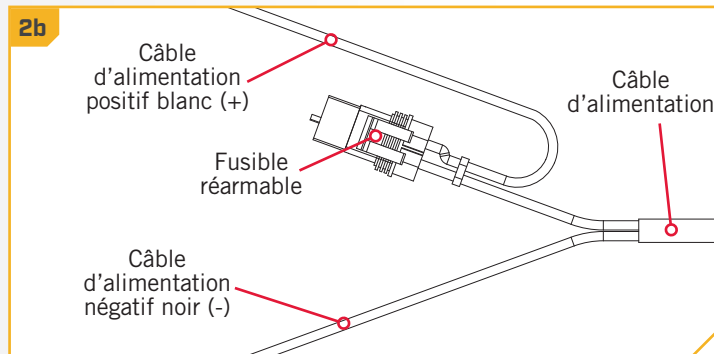
## COUPLAGE DU RAPTOR

2

**AVIS :** Vous pourriez avoir besoin de l'aide d'une autre personne.

- b. Mettez le Raptor en arrêt en retirant le fusible réarmable, situé sur le câble d'alimentation du Raptor.
- c. Tout en gardant enfoncée le UP (MONTER)  sur le panneau indicateur, rétablissez l'alimentation du Raptor. Vous entendrez une longue tonalité stable.
- d. Lorsque la tonalité continue s'arrête, relâchez le bouton UP (MONTER) . Attendez 30 secondes. Retirez le fusible pour redémarrer le Raptor, puis le remplacer le fusible.
- e. Tous les appareils couplés antérieurement ont maintenant été effacés de la mémoire du Raptor.



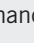
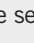
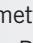
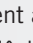
2b



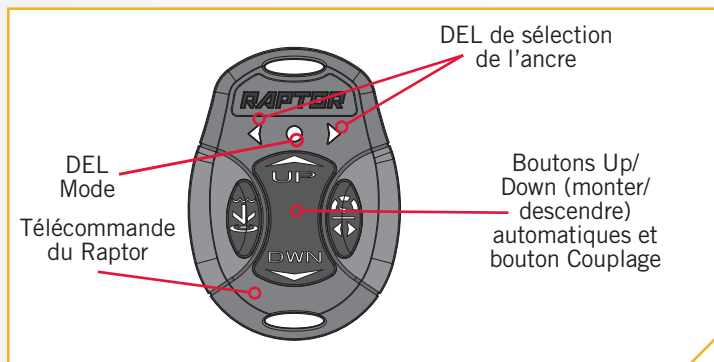
## SUPPRESSION D'UN RAPTOR COUPLÉ DE LA TÉLÉCOMMANDE

Le télécommande a été conçue de manière à ce que tous les Raptors couplés puissent être éliminés de la mémoire.

1

- a. Appuyez simultanément sur le bouton UP (Monter)  et le bouton DOWN (Descendre)  de la télécommande et gardez-les enfoncés jusqu'à ce que les DEL de sélection de l'ancre et le mode DEL sur la télécommande se mettent à défiler     rouge, vert, rouge et rouge. Relâchez ensuite les boutons. La télécommande passera au mode Couplage pendant 30 secondes. Lorsque le couplage s'annule, le Raptor couplé sera supprimé.

**AVIS :** Mettre la télécommande en mode Couplage sans coupler la télécommande à un Raptor, même de manière accidentelle, éliminera tous les Raptors couplés.





# L'APPLI RAPTOR

## Écran d'accueil de l'appli Raptor

Minn Kota offre une appli Raptor qui peut être utilisée pour contrôler et mettre à jour le Raptor au moyen d'un appareil compatible avec Bluetooth<sup>MD</sup>. L'appli Raptor peut être téléchargée pour les appareils iOS du magasin Apple App Store ou pour les appareils Android<sup>MC</sup> du magasin Google Play.

### EN-TÊTE



### Menu

Quand vous le sélectionnez, le Menu offre des options supplémentaires permettant de contrôler le Raptor, comme la vitesse de l'ancre, les mises à jour du logiciel, le guide de configuration, et du contrôle et soutien supplémentaires pour le produit.

**AVIS :** Lorsque l'appareil n'est pas connecté à un Raptor, le menu offrira l'option d'entrer en mode de démonstration. Une fois l'appareil connecté à un Raptor, le mode de démonstration se ferme, et l'option n'est plus disponible.

### BOUTONS DE L'APPLICATION



### Montée automatique

Appuyez une fois pour la rétraction automatique de l'ancre. Appuyez et tenez pour une rétraction en continu de l'ancre. L'ancre continuera la rétraction lorsque le bouton est tenu, jusqu'à son relâchement.



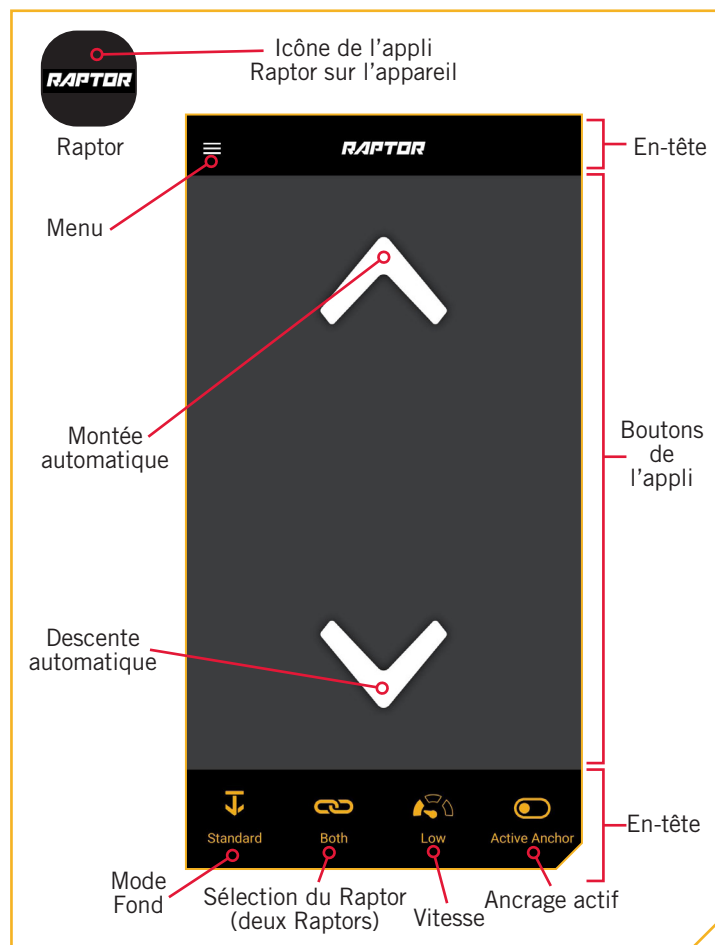
### Descente automatique

Appuyez deux fois pour déployer automatiquement l'ancre. Appuyez deux fois et tenir la deuxième fois pour déployer l'ancre en continu. L'ancre continuera le déploiement lorsque le bouton est tenu, jusqu'à ce qu'il atteigne sa pleine portée de fonctionnement, ou jusqu'à ce que le bouton soit relâché.



### Pause

Quand vous appuyez dessus, l'action en cours est interrompue. Le(s) Raptor(s) restera/resteront à la profondeur actuelle jusqu'à ce qu'une autre commande soit émise. Vous pouvez interrompre tant le déploiement que la rétraction de l'ancre. Le bouton Pause peut s'afficher au lieu des boutons de montée automatique ou de descente automatique; au cours d'un déploiement ou d'une rétraction, ils disparaîtront quand vous appuyez dessus pendant que l'unité est sur pause.



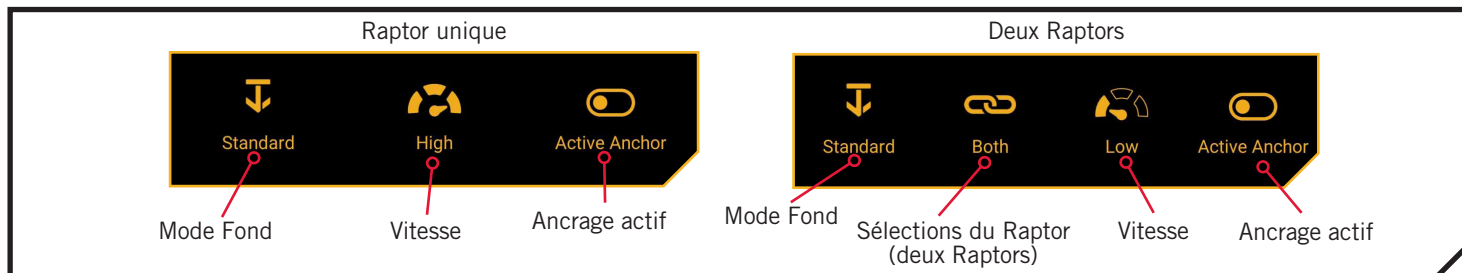
### Indicateur directionnel

Affiche la direction de déploiement et rétraction lorsque le Raptor est utilisé.

**AVIS :** les spécifications peuvent faire l'objet de modifications sans préavis. Le schéma est fourni aux fins de référence seulement et peut différer de votre interface d'application actuelle. L'appli Raptor fonctionnera seulement avec les Raptor compatibles activés par Bluetooth<sup>MD</sup>. Assurez-vous de télécharger la bonne appli, car les autres applis de Minn Kota<sup>MD</sup> ne fonctionneront pas avec votre Raptor.

**AVIS :** L'ancrage actif est seulement offert sur certains modèles et la sélection sera désactivée dans le modèle standard.

## PIED DE PAGE



### Mode standard

Lors de la sélection du mode Standard, la DEL d'indication de mode sur le panneau indicateur clignotera du rouge au vert, ●●●● puis s'éteindra.



### Mode Eaux agitées

En mode Eaux agitées, la DEL Mode sur le panneau indicateur s'allume en rouge ●. La DEL Mode sur le panneau, l'ancre fonctionnera avec une force de descente maximale lors de l'ancre.



### Mode Fond mou

En mode Fond mou, le déploiement automatique appliquera une puissance réduite, en un seul coup. Dans des conditions calmes ou sur des eaux au fond vaseux ou sableux, le Mode Fond mou permet d'éviter que le Raptor ne s'ancre de manière excessive. En mode Fond mou, la DEL Mode clignotera en vert ● sur le panneau indicateur.



### Mode Fond automatique

Dans le mode Ancre actif, l'ancre utilise des lectures de pression pour déterminer la meilleure façon d'ancre le Raptor. Le mode Fond automatique est seulement disponible sur le modèle Pro et est identifié par une DEL Mode ●●●● clignote lentement de vert à vert, ensuite de rouge à rouge.



### Sélection du Raptor - les deux

Indique que les Raptors à bâbord et à tribord sont sélectionnés et seront contrôlés durant le fonctionnement. Appuyez sur le commutateur pour passer entre les deux Raptors sélectionnés ou contrôlés individuellement. Cette option se voit seulement quand l'appli est configurée pour contrôler deux Raptors.



### Sélection du Raptor - individuel

Indique que les Raptors seront contrôlés individuellement lors du fonctionnement. Appuyez sur le commutateur pour passer entre les Raptors contrôlés individuellement ou ensemble.



### Bouton de vitesse

Change la vitesse de rétraction et de déploiement de l'ancre, entre lente, moyenne et rapide. Les vitesses respectives peuvent être réglées dans une portée dans le menu de l'appli.



### Ancre actif

Permet l'ancre actif et permet au Raptor de s'ajuster aux changements de pression lorsqu'il est ancré. L'ancre actif est activé et désactivé en appuyant une fois. Lorsque la DEL Mode ● est verte, il est activé, et lorsque la DEL Mode ● est rouge, il est désactivé. Si l'ancre actif n'est pas offert sur votre modèle, la sélection sera grise.



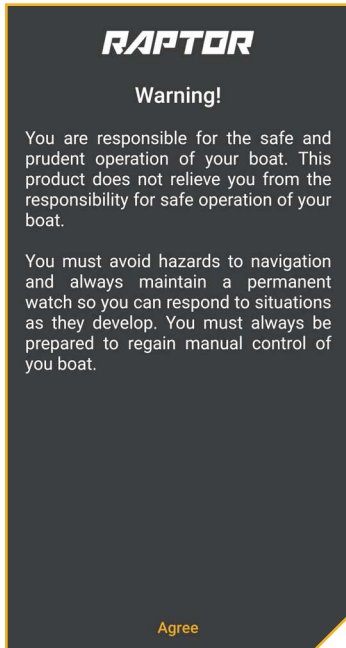
### Batterie faible

Affiché lorsque l'appli reconnaît que le Raptor est alimenté par une batterie faible.

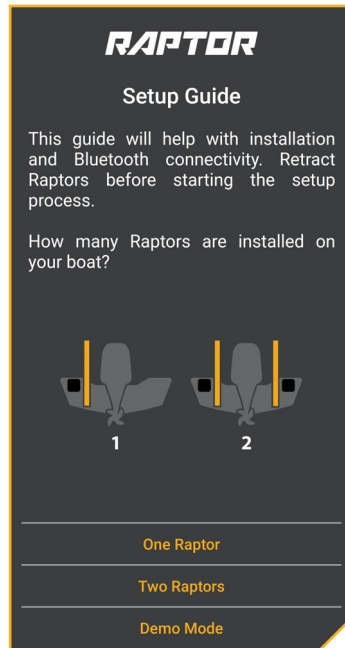
**AVIS :** Les options de sélection des Raptors sont visibles seulement quand le Raptor a été configuré pour contrôler deux Raptors.

## LANCEMENT DE L'APPLICATION ET DU MODE DÉMONSTRATION

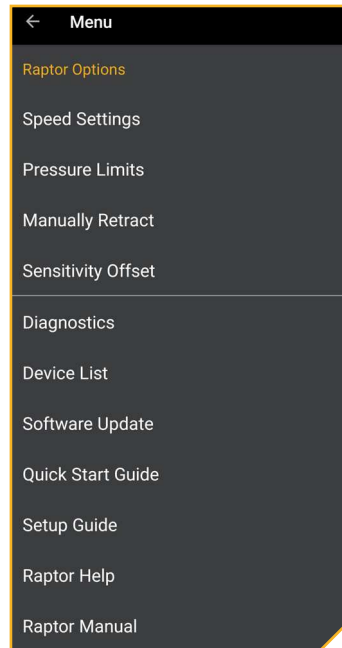
Lancer l'appli lorsqu'elle n'est pas jumelée au Raptor vous permettra de l'essayer en mode de démonstration. La première fois que l'appli est lancée, vous devez accepter la renonciation de responsabilité avant de pouvoir continuer. Familiarisez-vous avec les écrans de l'appli afin de comprendre comment faire fonctionner votre Raptor avec l'appli.



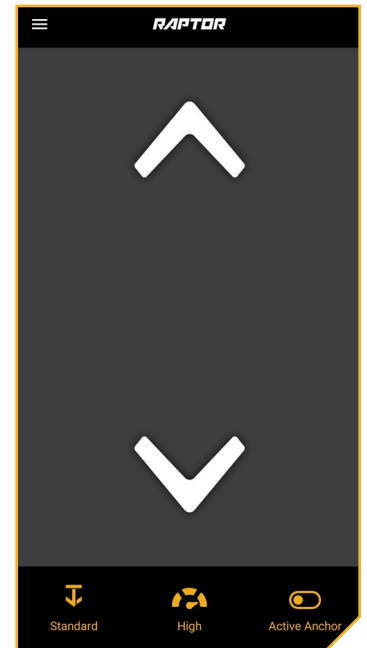
L'écran de renonciation s'affiche quand vous lancez l'appli la première fois.



Le guide de configuration s'affiche après la renonciation quand l'appareil n'est pas couplé ou ne communique pas activement avec un Raptor.



Le menu affiche diverses options permettant de contrôler le Raptor. Si les Raptors sont couplés et leur nombre détermine les options.



L'écran de contrôle du Raptor contrôle quand un Raptor est couplé à l'appareil. L'écran est légèrement différent quand deux appareils sont couplés.

## AVERTISSEMENT

Vous seul êtes responsable de la navigation sécuritaire et prudente de votre bateau. Ce produit ne vous exonère pas de la responsabilité de naviguer en toute sécurité avec votre bateau.


Vous devez éviter les dangers liés à la navigation et toujours exercer une veille permanente afin de pouvoir réagir au fur et à mesure que les situations se présentent. Vous devez toujours être prêt à reprendre le contrôle manuel de votre bateau.

# L'APPLI RAPTOR

## › Vérifier la version de l'appli et du logiciel du Raptor de l'appli

Quand un Raptor est couplé à un appareil, l'appli Raptor de l'appareil enregistre de l'information sur le(s) Raptor(s) couplé(s), y compris la version du logiciel installée. Cette information peut servir à déterminer si le logiciel d'un Raptor doit être mis à jour. Pour vérifier la version du logiciel du/des Raptor(s) couplé(s), exécutez les étapes suivantes.

1

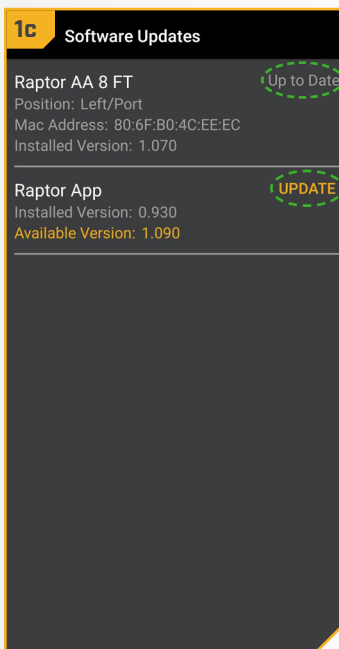
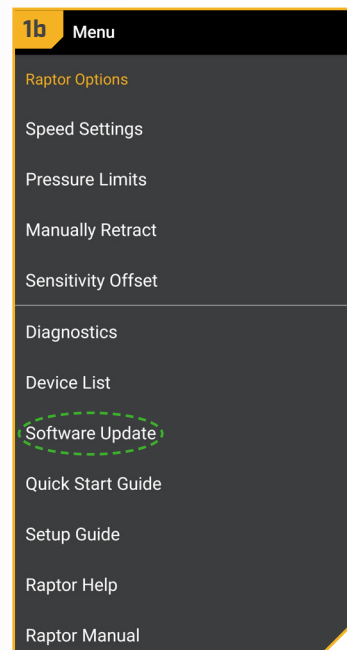
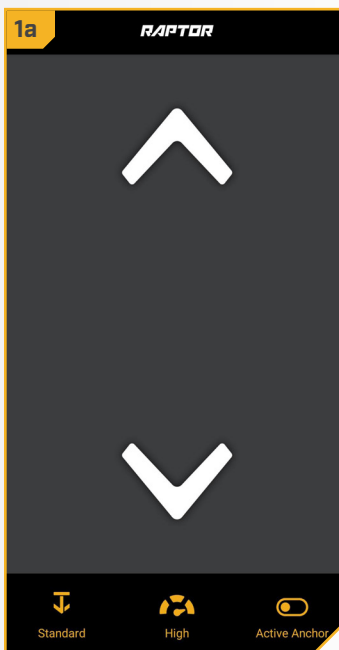
- Depuis l'écran d'accueil de l'appli Raptor, appuyez sur le bouton Menu .
- À l'écran du menu, trouvez l'option Software Update (Mise à jour du logiciel) et sélectionnez-la.
- L'écran de mise à jour du logiciel s'affiche. La liste des logiciels indique s'il y a des Raptors couplés à l'appli et la version du logiciel de l'appli Raptor.

**AVIS :** Noter la version du Raptor ou de l'appli, avant et après les mises à jour, aidera à déterminer si les mises à jour ont réussi.

**AVIS :** Si l'appli ne peut communiquer directement avec le Raptor, elle indiquera la version du logiciel détectée la dernière fois que l'appareil a été couplé et a communiqué avec le Raptor.

- Si aucun Raptor n'est couplé, la liste indiquera seulement l'information pour l'appli Raptor. Si les Raptors sont couplés et communiquent, le nom de chaque appareil sera blanc. Si les Raptors sont couplés, mais ne communiquent pas, le nom de chaque Raptor sera gris.

**AVIS :** Si l'appli Raptor ou le logiciel Raptor nécessite une mise à jour, l'appli indiquera « UPDATE » (mise à jour) à côté. Si le logiciel est mis à jour, l'appli indiquera « Up to Date » (mis à jour).


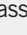


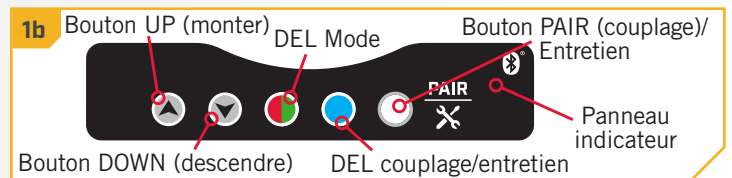
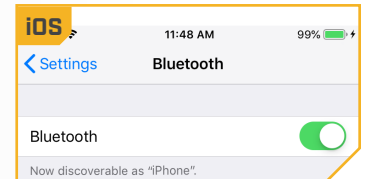
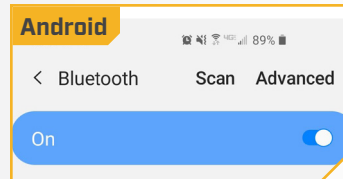
## › Coupler un appareil à un seul Raptor

L'appli Raptor peut servir à contrôler le Raptor au moyen d'un appareil couplé à un Raptor par une connexion Bluetooth. Avant de coupler l'appareil à un Raptor, il faut d'abord télécharger l'appli Raptor. Vous pouvez confirmer que l'appli a bien été téléchargée en l'ouvrant dans votre appareil. Ceci fait, fermez l'appli et lancez le processus de couplage.

**AVIS :** Votre appareil pourra seulement se connecter à un Raptor et y être jumelé si l'appareil Bluetooth est activé.

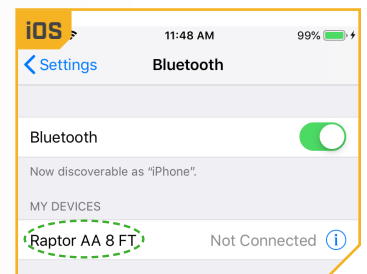
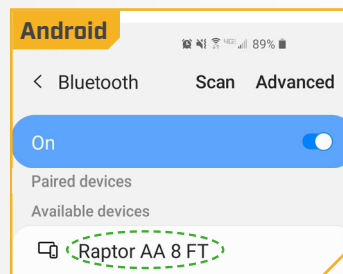
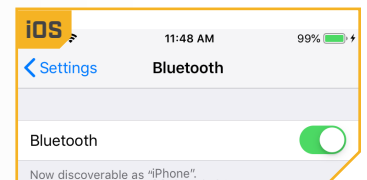
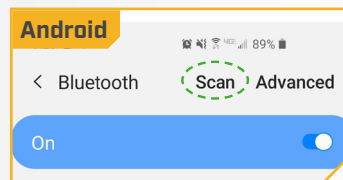
**1**

- Dans l'appareil que vous voulez coupler au Raptor, mettez Bluetooth « on » (activé) et gardez votre appareil sur cet écran-là.
- Appuyez sur le bouton Couplage  sur le panneau indicateur situé sur l'assemblage de la pompe Raptor. La DEL COUPLAGE/Entretien commencera à clignoter bleu . Le Raptor passera au mode Couplage pendant 30 secondes.



**2**

- Avec un appareil Android, sélectionnez le bouton Scan (Recherche) pour lancer le processus sur votre appareil. Avec un appareil iOS, quand le menu Bluetooth s'affiche, la recherche commence automatiquement. Le Raptor s'affiche dans la liste des appareils disponibles une fois que l'appareil est reconnu.
- Sélectionnez le Raptor dans la liste des appareils disponibles. Le Raptor et l'appareil sont alors couplés. Une fois que vous entendez des bips, le couplage au Raptor s'est fait avec succès.



**AVIS :** Quand l'appareil Bluetooth cherche le Raptor, le Raptor doit être en mode Couplage. S'il y a temporisation du Raptor ou de l'appareil, vous devez réinitialiser le processus pour les deux.

**3**

- Afin que l'appareil et le Raptor restent connectés, Bluetooth doit rester activé. Une fois l'appareil jumelé au Raptor, ils se connecteront et commenceront à communiquer. Quand le Raptor est couplé à l'appareil et communique avec, l'appli Raptor reconnaît automatiquement que le Raptor est couplé.
- Si le couplage échoue, recommencez le processus.

**AVIS :** Quand un appareil est couplé au Raptor, l'appareil couplé et le Raptor se connaissent. Quand un appareil jumelé et un Raptor sont connectés, ils peuvent communiquer activement l'un avec l'autre. Pour que l'appli Raptor détecte le Raptor, elle doit être couplée et communiquer avec le Raptor.

# L'APPLI RAPTOR

## › Coupler un appareil à deux Raptors

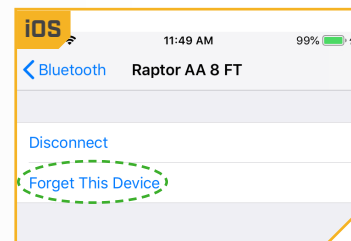
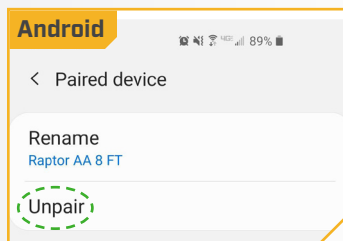
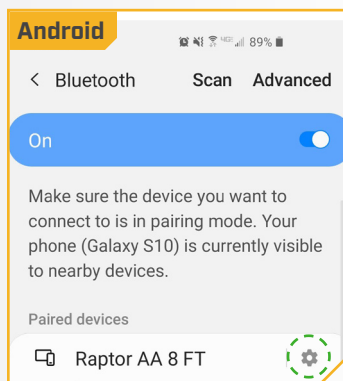
Pour que l'appli Raptor couple deux Raptors à l'appareil, les Raptors doivent d'abord être couplés l'un avec l'autre. Pour savoir comment coupler deux Raptors l'un avec l'autre, lisez la section « Couplage de deux Raptors et programmation de l'emplacement de montage » du manuel Raptor. Une fois les Raptors couplés l'un avec l'autre, suivez les instructions « Coupler un appareil et un Raptor ». Un Raptor seulement doit être couplé à l'appareil là où l'appli Raptor est installée.

## › Oublier un Raptor dans un appareil

Une fois un appareil couplé avec un Raptor, il se souviendra de l'appareil même si l'appareil et le Raptor ne communiquent pas activement. Dans certains cas, il se peut que vous deviez effacer la mémoire d'un appareil et oublier tout Raptor couplé. Pour ce faire, utilisez les paramètres Bluetooth de l'appareil.

1

- Ouvrez les paramètres Bluetooth de l'appareil.
- Une liste des appareils jumelés s'affiche. L'apparence de la liste d'un appareil Android ou iOS différera.
- Dans un appareil Android, sélectionnez l'icône Paramètres ⚙️ à côté de l'appareil dans la liste des appareils jumelés. Quand l'écran suivant s'affiche, trouvez l'option Unpair (déconnecter), puis sélectionnez-la.
- Dans un appareil iOS, sélectionnez l'icône « i » ⓘ à côté de l'appareil dans la liste My Devices (Mes appareils). Quand l'écran suivant s'affiche, repérez l'option Forget this Device (Oublier cet appareil), puis sélectionnez-la.
- Une fois l'appareil découplé ou oublié, il ne peut plus être couplé ni communiquer avec l'appareil et il ne figurera plus dans l'appli Raptor ou l'appareil.



## › Contrôle du Raptor et désactivation du verrouillage automatique

La plupart des appareils sont programmés pour verrouiller automatiquement l'écran de l'appareil après qu'il a été inactif pendant un certain temps. Quand l'utilisateur avait laissé l'appli Raptor ouverte pour contrôler le Raptor et qu'il revient à l'appareil, il se peut que l'écran soit verrouillé. Pour contrôler le Raptor, l'appareil doit d'abord être déverrouillé pour que le Raptor puisse être contrôlé au moyen de l'appli. La fonction de verrouillage automatique peut être désactivée de l'appli Raptor pour que le Raptor puisse être contrôlé immédiatement après qu'il a été inactif. Pour activer le verrouillage automatique, ouvrez l'appli Raptor et naviguez jusqu'au menu. Faites dérouler l'écran vers le bas et repérez le paramètre Disable Auto-Lock (Désactiver le verrouillage automatique). Quand la touche de commutation est active (on) et jaune, la fonction de désactivation du verrouillage automatique est active et empêchera que l'écran de l'appareil se verrouille dans les moments d'inactivité. Quand cette fonction est activée, l'appareil peut servir à contrôler le Raptor immédiatement.

**L'INSTALLATION DE VOTRE RAPTOR EST TERMINÉE. UN MANUEL COMPLET DU PROPRIÉTAIRE PEUT ÊTRE TÉLÉCHARGÉ À [MINNKOTAMOTORS.COM](https://minnkotamotors.com).**

# REMARQUES



A large area containing 25 horizontal lines for writing, providing space for notes or observations.

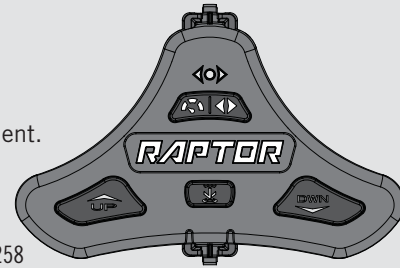
# ACCESSOIRES RECOMMANDÉS

## › CONTRÔLE DU RAPTOR

### COMMUTATEUR AU PIED SANS FIL RAPTOR ›

Le commutateur au pied sans fil Raptor permet un contrôle mains libres de votre Raptor. Contrôlez un ou deux Raptors indépendamment ou simultanément. Le commutateur au pied est hydrofuge, comprend des voyants indicateurs à DEL et a un compartiment à accès facile pour la batterie. Support de pont modulaire pratique pour enlèvement et entreposage faciles.

1810258

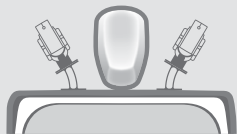


## › SUPPORTS D'ADAPTATEUR DE MONTAGE DU RAPTOR

Les supports de montage Raptor sont offerts en diverses configurations pour répondre à vos besoins de montage. Ils comprennent une construction légère en aluminium pour une puissance supérieure. Construits avec un extérieur enduit de poudre pour la résistance à la corrosion et incluent une quincaillerie de montage en acier inoxydable. Tous les supports incluent une garantie de 5 ans.

### SUPPORT DE MONTAGE DIRECT EN ANGLE ›

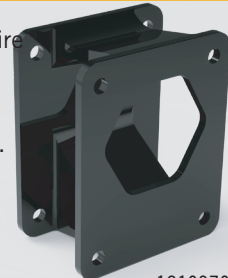
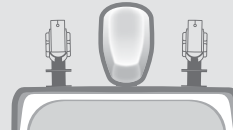
Dans les applications de montage direct sur le tableau arrière, maximise la puissance de maintien en offrant un angle optimal pour le déploiement de l'ancre Raptor.



1810371

### SUPPORT DE DÉCALAGE DE 3 PO (7,6 CM) ›

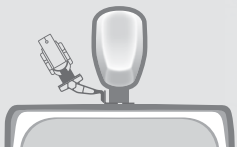
Fournit un décalage supplémentaire de 3 po (7,6 cm) pour toutes les applications de montage où un dégagement spécifique est requis.



1810370

### ADAPTATEUR EN SANDWICH UNIVERSEL ›

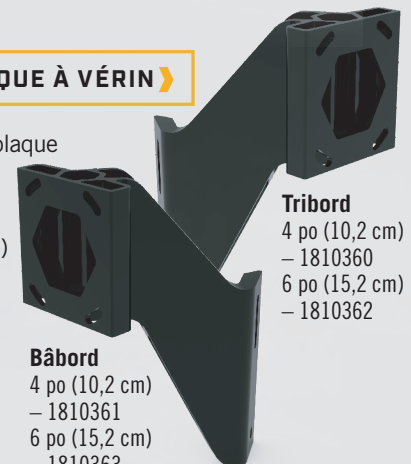
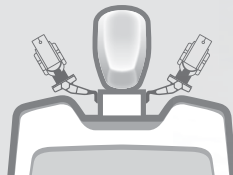
Se fixe entre la plaque à vérin et le tableau arrière ou entre le hors-bord et le tableau arrière; à utiliser sur le côté bâbord ou tribord.



1810372

### SUPPORTS AVEC PLAQUE À VÉRIN ›

Se fixe directement sur votre plaque à vérin, sur le côté bâbord ou tribord de votre bateau. Offert avec appuis de 4 po (10,2 cm) ou 6 po (15,2 cm).



**Tribord**  
4 po (10,2 cm) – 1810360  
6 po (15,2 cm) – 1810362

**Bâbord**  
4 po (10,2 cm) – 1810361  
6 po (15,2 cm) – 1810363



minnkotamotors.com



Part #2357141

Minn Kota Consumer & Technical Service  
Johnson Outdoors Marine Electronics, Inc.  
PO Box 8129  
Mankato, MN 56001

121 Power Drive  
Mankato, MN 56001  
Phone (800) 227-6433  
Fax (800) 527-4464



©2022 Johnson Outdoors Marine Electronics, Inc.  
All rights reserved.

ECN 42102

Rev E

10/22