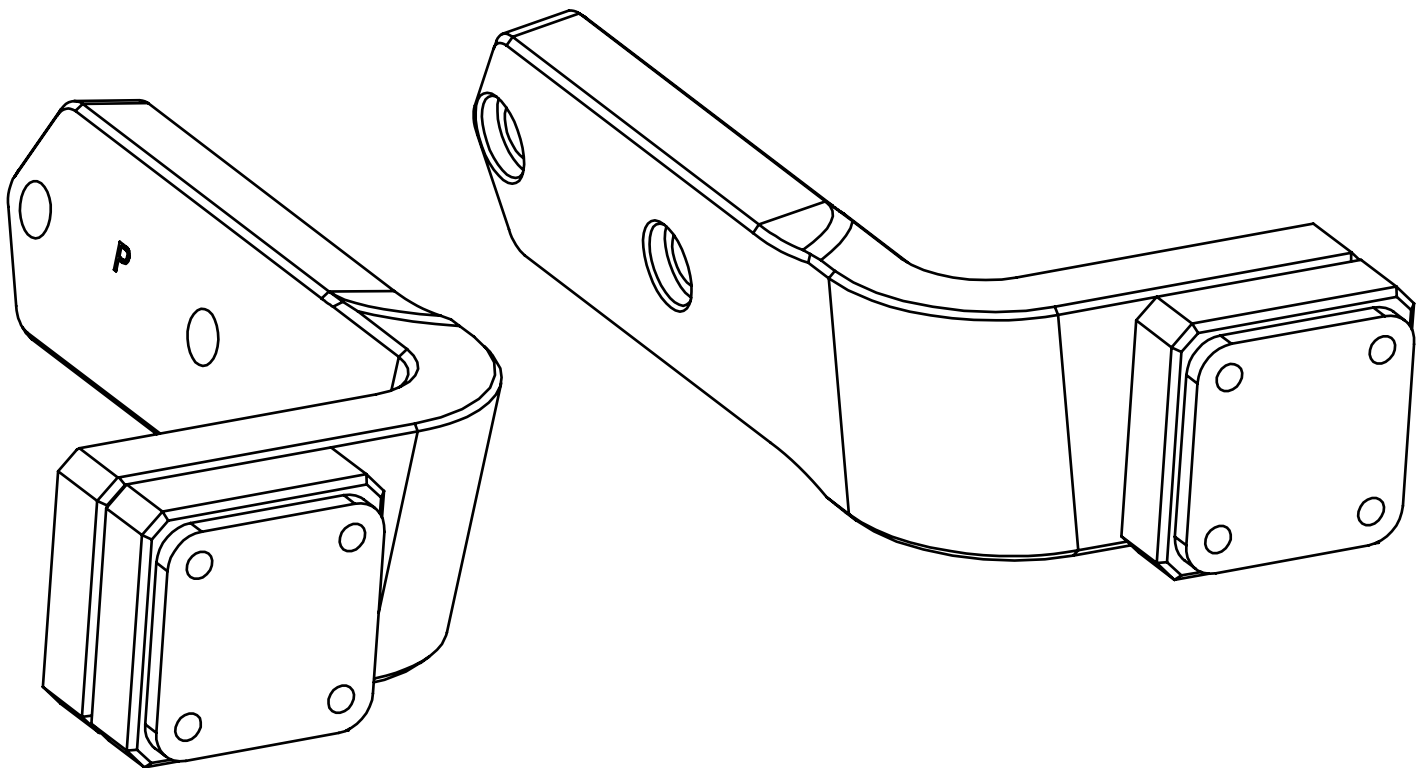


ROSWELL.

www.roswellmarine.com

Supra FXone Board Rack Adapters

Installation & Usage Instructions



Part # C810-0106

Information: info@roswellmarine.com

If you have any questions please call : 1-321-638-1331



| PARTS | HARDWARE | TOOLS REQUIRED |
|--|--------------------------------------|--|
| <p>(x1) Port rack adapter (P) (x1) Starboard rack adapter (S)</p> | <p>3/8-16 SHC x 1" x4</p> | <p>5/16" Allen Key 3/16" Allen Key</p> <p>LOCTITE THREADLOCKER RED</p> <p>Philips Screwdriver Torque Wrench</p> |

MOUNTING

Your board rack adapters are designed to fit the Supra Boats FXone wakeboard tower only. Please read installation instructions carefully.

A First, add a drop of red Loctite to each screw across the last 3 threads. Second, slide the rack adapter arm into the receiver slot. Make sure the holes in the rack adapter are in line with the threaded holes in the tower.

Third, using a 5/16" Allen key and the fasteners provided with the adapters, tighten the 3/8-16 screws to mount the port and starboard adapters to the tower.

x4 5/16" **LOCTITE** RED Torque bolts to 15 ft-lbs

MOUNTING ROSWELL BOARD RACKS

B Mount your Roswell board racks with Roswell swivels to the adapter arms using the bolts included with your swivels and a 3/16" Allen key. Add a drop of red Loctite to the bolts first.

3/16" **LOCTITE** RED Torque bolts to 15 ft-lbs

C Enjoy your Roswell board racks!