

INSTALLATION INSTRUCTIONS

INTEGRATED DAVIT

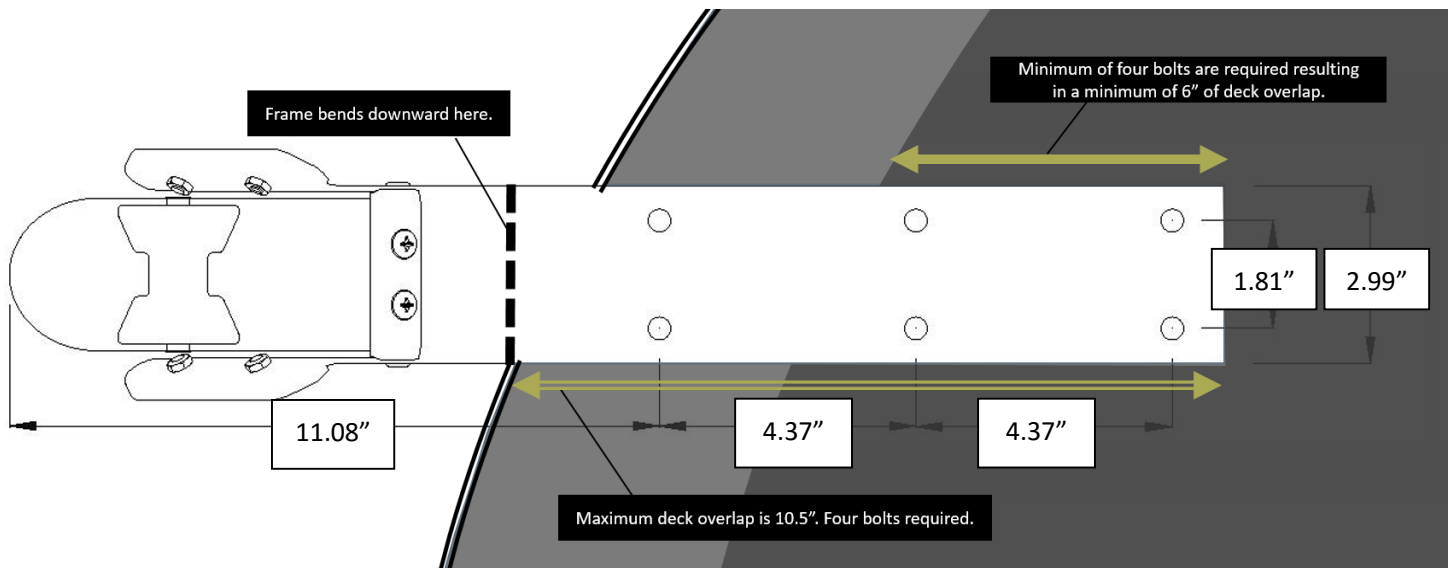
T10262

For use with Big Water II, Titan or any winch or windlass

UNPACKING: When unpacking, inspect carefully for any damage that may have occurred during transit and that all parts are present.

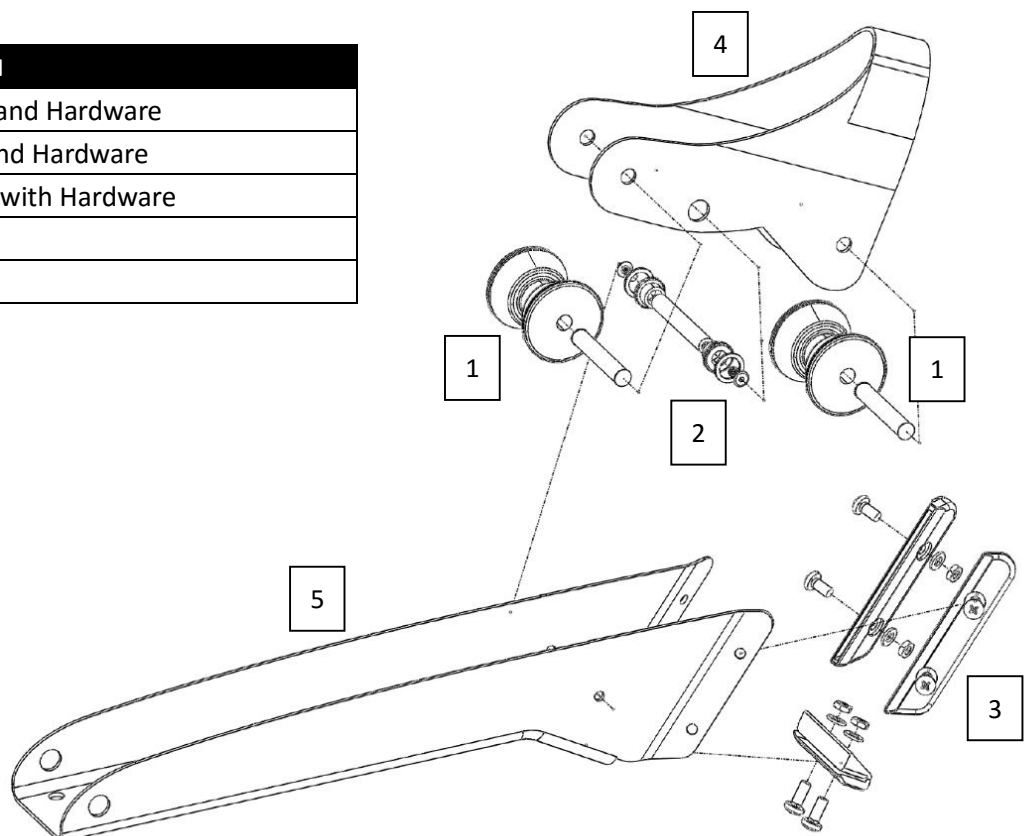
REQUIRED: Minimum 4 - 5/16" (8mm) stainless steel mounting bolts. Bolt length may be determined by your application, such as deck thickness plus 1.5" (38.1mm).

INSTALLATION: Use Davit as a template to mark bolt hole positions for drilling. Check for obstructions below deck.



PARTS: If ordering a part, provide the product model as well as the part number.

PARTS LIST	DESCRIPTION
1	Roller, Axle and Hardware
2	Pivot Axle and Hardware
3	Bumper set with Hardware
4	Pivot Frame
5	Davit Frame



TRAC Limited Warranty

This limited warranty is provided by TRAC Outdoor Products Co (TRAC) to the original consumer purchaser (purchaser) of this TRAC product. This limited warranty is not transferable to any other party. TRAC will at its option repair or replace any part(s) of the TRAC product which may be found by TRAC to be defective within two (2) years of purchase. TRAC will pay the shipping charge to the purchaser for any part(s) which may be shipped by TRAC. For warranty repair or replacement, the purchaser must provide dated proof of purchase and notify TRAC of the request for warranty service. The purchaser will notify TRAC by email at info@TRAC-Outdoor.com or by phone at 615-462-6224 for warranty service. TRAC will attempt to provide parts needed. If the product is to be returned, purchaser will be provided a Return Goods Authorization (RGA) number to include with any return for warranty service which will be shipped at the purchaser's expense to the address provided. The purchaser must use reasonable care in maintenance and operation of the product in accordance with this manual. Failure to follow the instructions in the manual will void the warranty. This warranty covers defects in material or workmanship of the TRAC product. This warranty does not cover failure that results from misuse, improper installation, accident, abuse, neglect, modification, or improper maintenance. There is no other express warranty. Implied warranties, including those of merchantability and fitness for a particular purpose, are limited to two (2) years from the date of purchase. Costs of installation or repair by service centers or marine repair facilities are not covered by this warranty. This is the exclusive remedy and any liability for any and all incidental or consequential damages or expenses whatsoever is excluded. Some states do not allow limitations on how long an implied warranty lasts, or do not allow exclusion or limitation of incidental or consequential damages, the above limitations may not apply to you. This limited warranty gives you specific legal rights, and you may also have other rights which vary from state to state.

TRAC Outdoor Products Company

251A Mayfield Drive

Smyrna, TN 37167

www.trac-outdoor.com

info@trac-outdoor.com

615/462-6224