



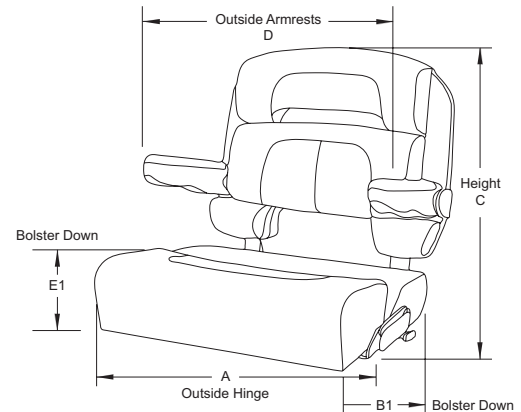
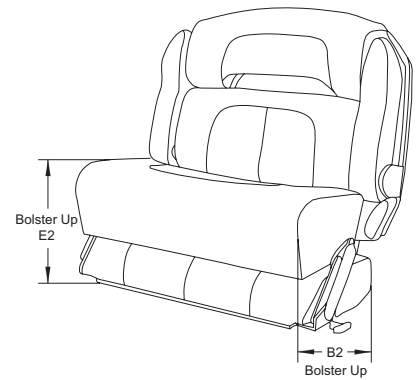
CAPRI HELM BENCH



The Capri Helm Bench supports more than just the captain. It offers more space for entertaining and comfort. This bench is engineered using only Type-316L marine-grade stainless-steel hardware. It also has a unique shield that secures the bolster in place, which prevents it from flipping down – ultimately eliminating dangerous pinch points.

FEATURES & BENEFITS

- Ideal for up to 50-foot boats
- Includes adjustable armrests and bolster
- Premium quality vinyl fabrics
- Plush foam padding
- Flexible, ergonomic design
- Meets ABYC H-31 impact test
- Stainless-steel cast armrest brackets
- Stainless-steel roll-back seat hinge with shield
- Durable fiberglass seat back
- Roll-back seat bolster for quick repositioning and helm access
- Custom vinyl options available for OEM boat builders
- Available in two sizes: 36 and 40 inches



w tacomarine.com | ph 800.653.8568 | e info@tacomarine.com



PART NUMBER	DESCRIPTION	A	B1	B2	C	D	E1	E2
HA1-36WHA-7-0000-0-0	36" Capri Bench Seat - Single Bolster	36"	21"	12"	25"	35-1/2"	6-1/2"	11"
HA1-40WHA-7-0000-0-0	40" Capri Bench Seat - Single Bolster	40"	21"	12"	25"	39-1/2"	6-1/2"	11"
HA1-40WHA-0000-7-0	40" Capri Bench Seat - Dual Bolster	40"	21"	12"	25"	39-1/2"	6-1/2"	11"