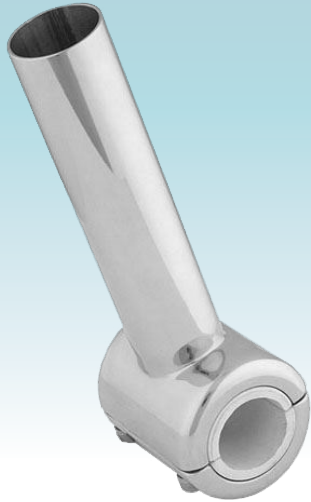




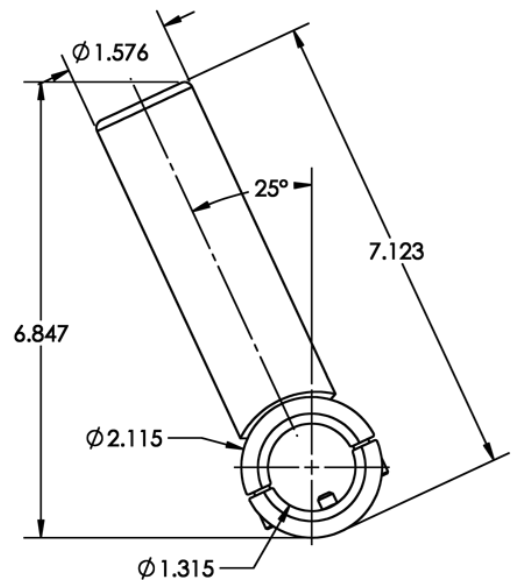
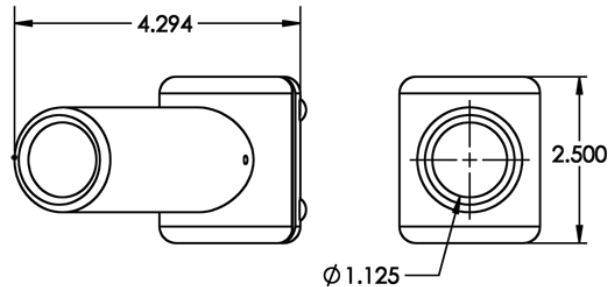
## FIXED MOUNT FOR 1-1/8" CENTER RIGGER



A great, economical accessory to help smaller boats turn into offshore, pelagic fish-chasing machines. The polished stainless steel TACO Marine Fixed Center Rigger Mount is simple to install and helps you deploy baits further in the long line position.

### FEATURES & BENEFITS

- Easily installed on your existing T-top piping
- Polished, high-quality stainless steel
- Allows for exact positioning
- **Patent # 7309054 B2**



PART NUMBER	DESCRIPTION	UNIT	PACK	UPC
F16-0311C-1	FIXED MOUNT FOR 1-1/8" CENTER RIGGER	Each	4	630838021115