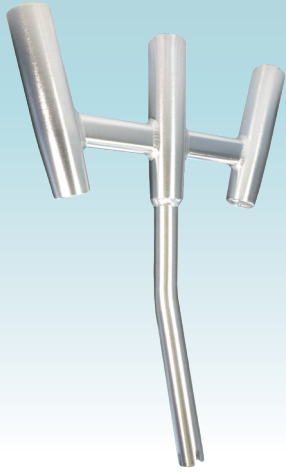




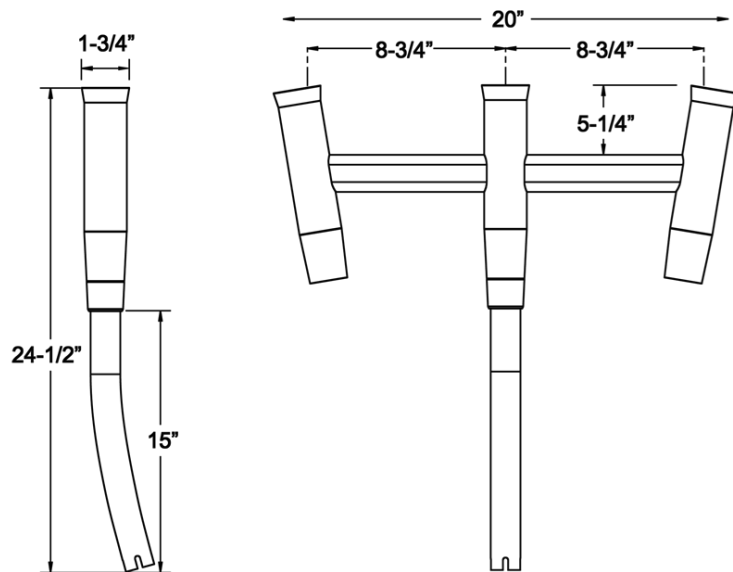
KITE FISHING ROD CLUSTER



One of the most useful fishing tools you can have when kite fishing is the TACO Marine Kite Fishing Rod Cluster, which allows you the freedom to place your kite fishing outfits in the perfect boat location. This three-rod cluster keeps everything close, tidy and easy to handle when the bite turns on.

FEATURES & BENEFITS

- 15° bent shaft for clearance
- Fits all standard gunnel mount rod holders
- Fish with multiple rods from one holder
- Includes form-fitted, anti-fungal PVC white liner
- Gimbal design for secure locking placement
- Sold individually
- Bag included



PART #	DESCRIPTION	HEIGHT	WIDTH	WEIGHT	RH ID	RH HEIGHT	STD. PK.	UOM	UPC
F31-0770BSA-1	Kite Fishing Rod Cluster	24-1/2"	20"	5 lbs.	1-3/4"	9-3/4"	4	EA	630838024390