

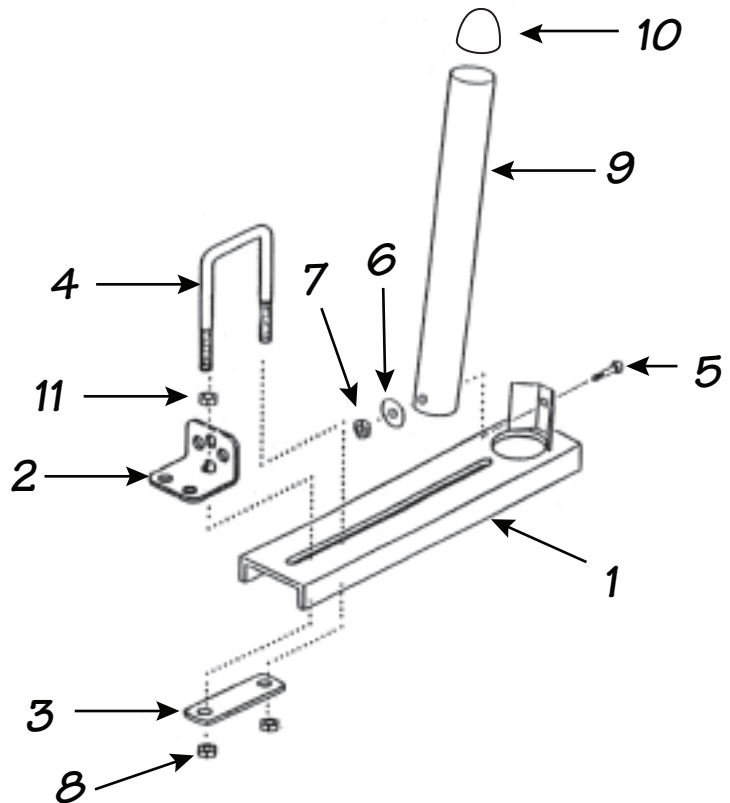
PVC Boat Guide On's

Installation Instructions

Part #86105

This kit contains the following components:

#	Qty.	Part #	Description
1	2	48075	Guide Base
2	2	48076	Angle Adjuster
3	2	48010	Link Bar
4	2	10986Z	U-bolt
5	2	10919	Carriage Bolt 3/8" x 3"
6	2	10502	3/8" Flat Washer
7	2	10627	1/8" Hex. Nyloc Nut
8	4	10645	1/2" Hex Nyloc Nut
9	2	48074	Guide Tube
10	2	48353F	Bullet End Cap
11	2	10646Y	1/2" Hex Nuts



Installing your Boat Guides:

1. Determine the position for the guides on your trailer. (Side Guides are normally installed as far back as possible on the trailer).
2. Place U-Bolt over frame. Determine the hole in Angle Adjuster that most closely fits your frame width.
3. Slide Angle Adjuster over inside leg of U-Bolt. NOTE: For frames less than 3" wide and more than 3" deep, thread 1/2" nut onto U-bolt first.
4. Position the Guide Base under the frame so that the u-bolt lines up in the slot on the Guide Base.
5. Loosely fasten the 1/2" nyloc nuts to the u-bolt.
6. Place the guide tube in position with the guide base. Align the holes.
7. Place the 3/8"x 3" carriage bolt thru the guide base and the guide tube, place 3/8" washer and nut on the carriage bolt and tighten.
8. Repeat 1-7 for the other side.
9. Finally check the placement of both boat guides, adjust position so they are both the same distance from the end.
10. Tighten nuts under the guide base.

Instructions #15307 (A298 - Rev. 3/19/19)