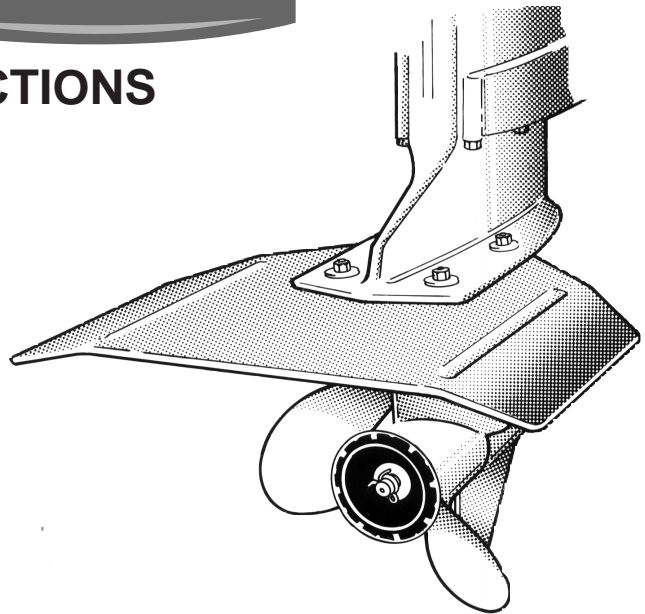




## INSTRUCTIONS

WHALE TAIL XL® Aluminum Stabilizer and Ski Boat Fin improves performance in any I/O or outboard motor. The fin's unique hydrodynamic design extends behind the prop to utilize prop wash energy which is normally lost. Whale Tail transforms this energy into lift for immediate response when the throttle is applied. Use the Whale Tail XL in freshwater or salt-water to improve performance of any boat.

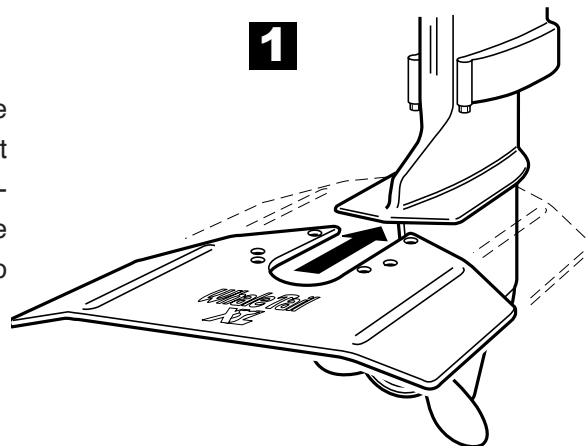
- Stabilizes bow-light boats
- Pops skiers up in less time
- Flattens wake for waterskiing; creates positive, skid-free turns
- With bow lowered, visibility and safety are improved
- Smooths out ride in rough water
- Reduces porpoising & cavitating
- Increases top speed and fuel savings in most applications



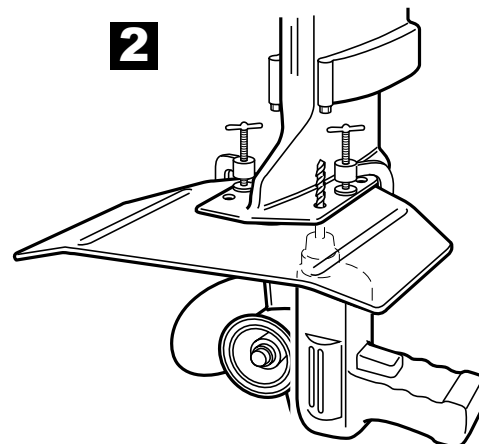
Whale Tail XL mounts on the anti-cavitation plate of all inboard/outboards and outboards. Installs in 15 minutes with stainless steel hardware included. Made of marine grade aluminum with durable anodized finish.

### Installation

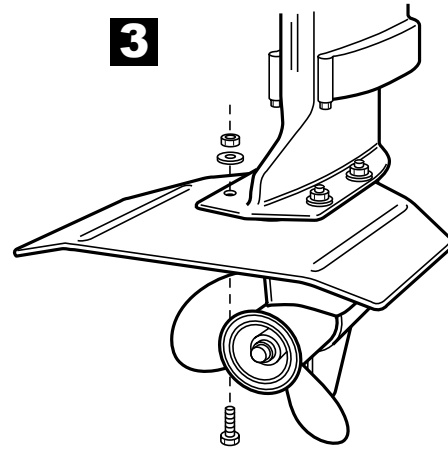
**1.** Locate the anti-cavitation plate, the horizontal plate just above the propeller. Slide Whale Tail onto the flat side of the anti-cavitation plate, preferably its underside. Leave no space between the cut out of the Whale Tail and the back of the anti-cavitation plate. On Volvo inboard/outboards, mount Whale Tail on top.



**2.** Clamp Whale Tail in place. Using a 1/4" (6.5 mm) drill bit and the holes in Whale Tail as a guide, drill four holes through the anti-cavitation plate. On Volvo, drill through the hollow exhaust anti-cavitation plate. In some instances, a right angle drill chuck may be needed. If the holes in Whale Tail do not work on your anti-cavitation plate, drill new holes in the Whale Tail for maximum strength.



**3.** Insert a 1/4" (6.5 mm) bolt in the hole just drilled, the head of the bolt on the Whale Tail side. Install washer and nut and tighten snugly. Do not over-tighten. On Volvo, longer bolts will be required: 1/4 x 2" (6.5 mm x 5.4 cm).



### ***Davis Instruments***

*3465 Diablo Ave., Hayward, CA 94545 U.S.A.  
Phone (510) 732-9229 • Fax (510) 732-9188  
info@davisnet.com [www.davisnet.com](http://www.davisnet.com)*

August 2005